



BX1679

2008-12 Chevrolet Malibu

Installation Instructions

Please read BOTH these Installation Instructions and the General Instructions before attempting to install or operate this equipment.

Serial Number

1. Blue Ox® towing products and accessories are intended to be installed by Blue Ox® Dealers who are familiar with our products and have the equipment necessary and knowledge to do “fit work”. When necessary Blue Ox® Dealers can be found at www.blueox.com or by contacting our Customer Care Department at (402) 385-3051.
2. Many Blue Ox® Baseplates are designed to use existing holes and hardware to mount the baseplate to the towed vehicle. Even though bolts are there, do not assume they are adequate for baseplate mounting. Always use hardware supplied in the hardware kit and existing hardware specified in the Baseplate Installation Instructions.

Attachment Tab Height: 15”
Attachment Tab Width: 22-1/2”

Bolt Torque Specifications
Torque in Foot-Pounds for Metric Bolts

Bolt Size	Grade 8.8	Grade 10.9
6MM	6	8
8MM	16	22
10MM	31	40
12MM	54	70
14MM	89	117

Confirm the towability and pre-towing procedures for your vehicle with the owner’s manual or contact the vehicle’s manufacturer for specific towing procedures.

Bolt Torque Specifications
Torque in Foot-Pounds for Inch Bolts

Bolt Size	Grade 5	Grade 8
1/4”	10	14
5/16”	19	29
3/8”	33	47
7/16”	54	78
1/2”	78	119
5/8”	154	230



If the front of your vehicle looks different than this, call us at (402) 385-3051.

⚠ WARNING

Failure to read and follow these instructions could result in separation of the towed vehicle from the tow bar, causing property damage, loss of towed vehicle, personal injury or death.

BX1679

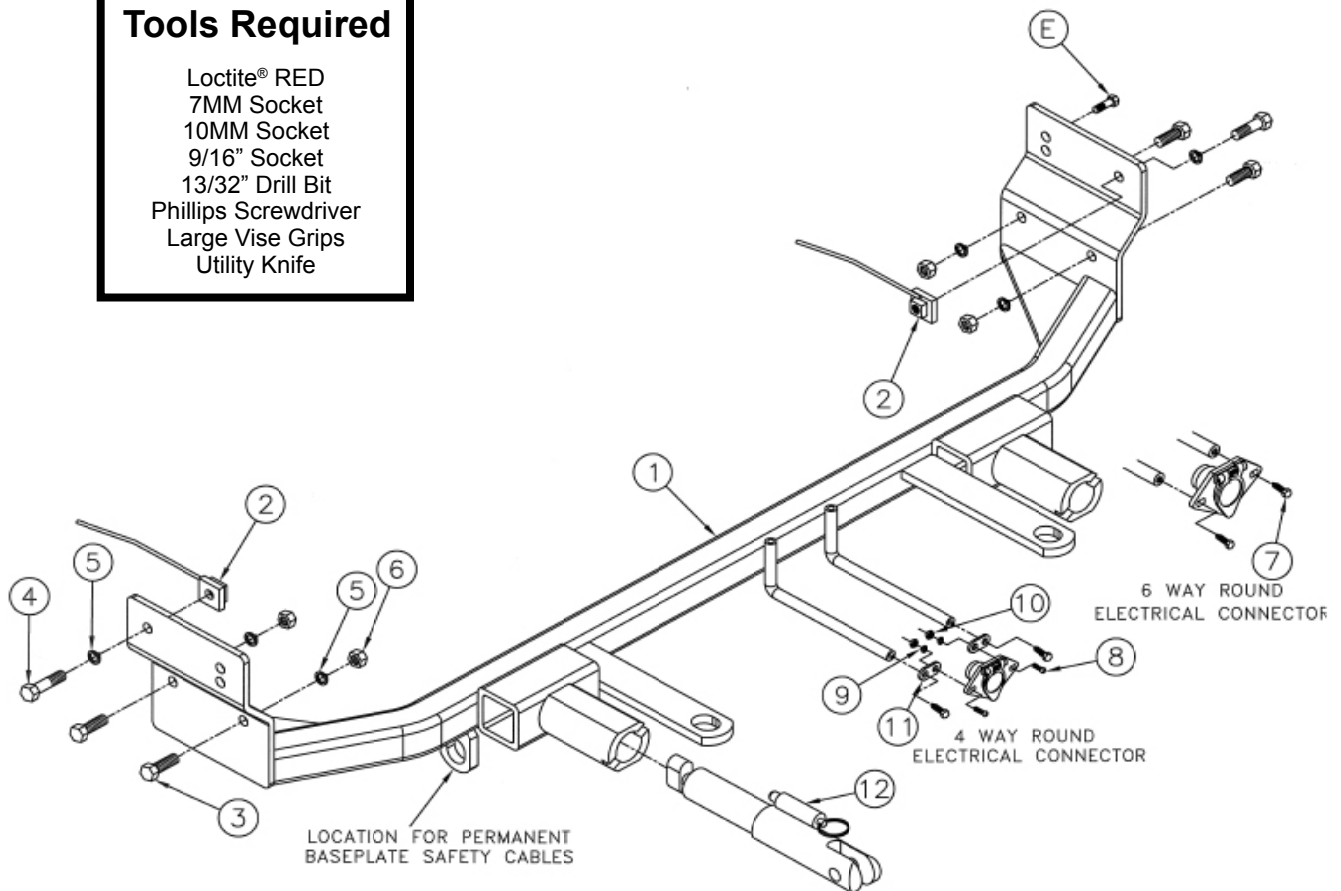
2008-12 Chevrolet Malibu Installation Instructions

Parts List

Ref. No.	Qty.	Part #	Description
1	1	61-6502	WLDM'T, BASEPLATE, BX1679
2	2	61-5208	WLDT, NUT PLT, 1/4X1X1, 3/8 BLT WIR
3	4	201-0443	3/8-16 X 1 HEX BOLT GRD.5, ZP
4	2	201-0440	3/8-16 X 1 1/2 HEX BOLT, GRD.5, ZP
5	6	203-0010	3/8 LOCK WASHER, ZPP
6	4	202-0003	3/8-16 HEX NUT, ZP
7	2	201-0979	#12-14 x 1" Self Drilling Screw, ZP
8	2	201-0192	10-32 X 1/2 SLOT, RD. HD. SCREW
9	2	203-0054	#10 LOCK WASHER
10	2	202-0047	#10-32 HEX NUT
11	2	101-5822	ADAPTER, 4 WAY CONNECTOR
12	2	62-3469	ATT TAB ASSY, REM, SF/LB, 1 HOLE
E			EXISTING BOLTS
	2	226-0046	BASEPLATE SAFETY CABLE, 36" CL III (NS)
	2	229-0359	QUICKLINK, 3/8, ZP (Not Shown)
	2	290-0437	RECEIVER, CAP PLUG (BLK) (Not Shown)

Tools Required

Loctite® RED
 7MM Socket
 10MM Socket
 9/16" Socket
 13/32" Drill Bit
 Phillips Screwdriver
 Large Vise Grips
 Utility Knife



Important:

Use only genuine factory replacement parts on your baseplate. Do NOT substitute homemade or non-typical parts. If a bolt is lost or in need of replacement, for your safety and the preservation of your baseplate, be sure to use a replacement bolt of the same grade (In most cases it will be Grade 5, please reference the parts list above). Replacement parts may be ordered through your nearest Blue Ox® Dealer or Distributor, or call our Customer Care Team at (402)385-3051. Failing to follow and/or altering these installation instructions in either installation or required equipment will void the manufacturer's warranty.

BX1679
2008-12 Chevrolet Malibu
Installation Instructions

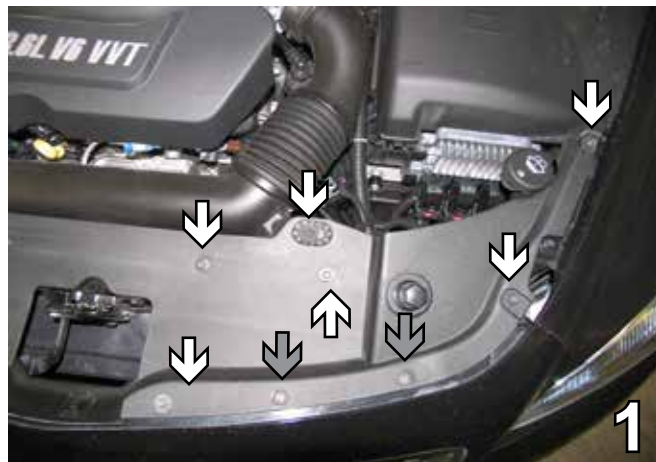
Attachment Tabs: Motorhome mount tow bars are recommended for use with this baseplate. Due to the design of the removable tabs, the RangeFinderII and Ambassador tow bars can not be used. Adapters, except the BX8833 and BX88151, can not be used with this baseplate.

Instruction Notes: The front fascia and air baffle are removed for the baseplate installation. Drilling is required. Trimming of the air dam and the fascia is required.

The dimensional variations between otherwise identical vehicles can be considerable. While the baseplate was designed for easy installation, it may be necessary to tailor the baseplate slightly to compensate for auto manufacturer's tolerances. These minor adjustments may include filing a hole slightly, bending electrical rods or bending end plates.

The BX8848 Four Diode Wiring Kit is recommended for this vehicle.

Installation Instructions



1. Using the 10MM socket, remove six bolts from the black plastic cover on the driver's top side of the fascia (white arrows). Using the Phillips screwdriver, remove the two Phillips pushpins (gray arrows). On the passenger side remove five bolts and two pushpins. Set bolts, pushpins and plastic cover aside to reinstall later.



2. Just forward of the front tire, on the edge of the wheel well cover, remove four pushpins. Do this to both sides of the vehicle. Set pushpins aside to reinstall later.



3. Also just forward of the front tire, on the edge of the wheel well cover, using the 10MM socket, remove the bolt. Do this to both sides of the vehicle. Set bolts aside to reinstall later.

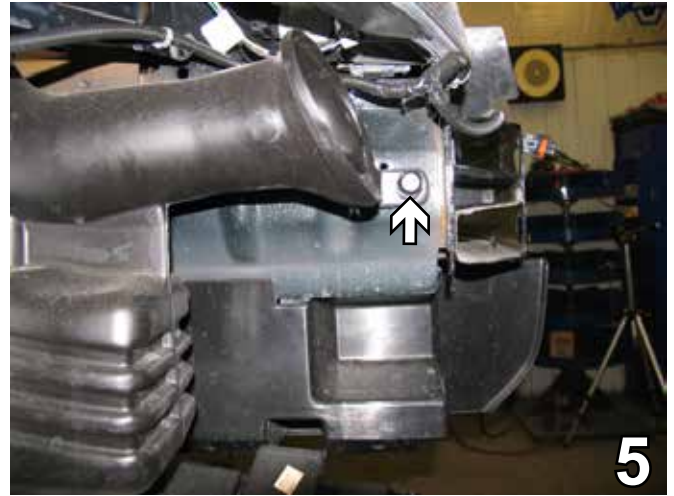
Handling of some cosmetic parts when installing this product may require the use of protective covers, rags, specialty tools, etc. to prevent damage.

Do not use the towed vehicle for storing luggage, equipment, etc. This may cause you to exceed the towing capacity of the tow bar, baseplate, and its accessories.

BX1679
2008-12 Chevrolet Malibu
Installation Instructions



4. Using the 7MM socket, remove nine metric bolts from underneath corner of the front fascia, forward of the front tire, as indicated by the white arrow in the photo above. Remove two pushpins, as indicated by the grey arrow in the photo above. Do this around the vehicle. Remove fascia by pulling it out to the side and forward a little bit. Set fascia, bolts and pushpins aside carefully to reinstall later.



5. Remove pushpin from the passenger's side air baffle. Set air baffle and pushpin aside to reinstall later.



6. Using the 10MM socket, remove one metric bolt from the back side of the air baffle. Set air baffle and bolt aside to reinstall later.

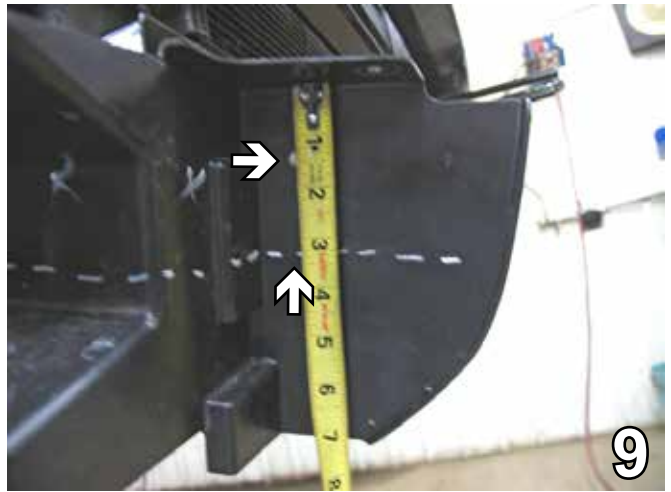


7. Remove pushpin from the bottom of the bumper. Do this on both sides. Set pushpin aside to reinstall later.

BX1679
2008-12 Chevrolet Malibu
Installation Instructions



8. Using the utility knife, trim the piece of plastic right next to the radiator flush with the bottom of the bumper. Discard the lower portion. Do this on both sides.



9. **2008-09 Models:** Mark the passenger's side of the air dam straight down 3 inches where the hole is and around the contour of the air dam mold.



10. **2010-11 Models:** Mark the air dam straight across the top and straight down the side, as shown, and trim.



11. Also on the driver's side, mark straight down from the air dam tab three inches and horizontally back to the air dam contour and trim this area with the utility knife.



12. Align the baseplate on the driver's side so the upper back hole aligns with the existing horn bracket hole and clamp in place with vise grips. Reinstall the horn bracket with the existing bolt. Using the baseplate as a template, drill the remaining three holes into the frame rail on the driver's side with the 13/32" drill bit.

BX1679
2008-12 Chevrolet Malibu
Installation Instructions



13. Align the baseplate on the passenger's side so the upper back hole aligns with the existing air intake value hole into which a push pin will be inserted. Using the baseplate as a template, drill the three remaining holes into the frame rail on the passenger's side with the 13/32" drill bit.

BE SURE TO USE LOCTITE® RED ON ALL BOLTS BEFORE TIGHTENING. TIGHTEN ALL BOLTS ACCORDING TO THE TORQUE CHART ON THE FRONT PAGE OF THESE INSTRUCTIONS OR ON PAGE 3 OF THE BASEPLATE TOWING GENERAL INSTRUCTIONS.



14. Insert two 3/8-16 x 1" hex bolts, 3/8-16 hex nuts and 3/8 lock washers into the bottom two holes. Use Loctite Red on all the bolts. Guide a 1" nut plate up through the opening in the bottom of the frame rail and align it with the upper front bolt hole. Install the 3/8-16 x 1 1/2" hex bolt and the 3/8" lock washer to the 1" nut plate, as indicated by the grey arrow in the photo above. Do the same on the passenger side.

When using power drills be aware of the dangers of torque and drill bit length.

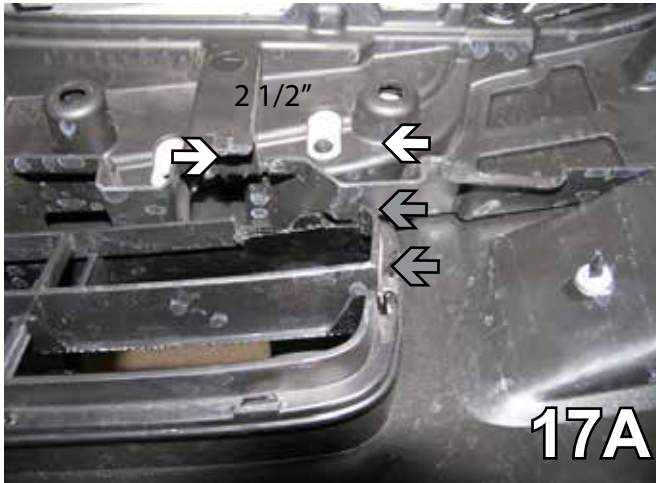


15. Take the rubber out of the air baffle in order to get the plug back in it.



16. Reinstall the horn on the driver's side.

BX1679
2008-12 Chevrolet Malibu
Installation Instructions



17. Hold fascia as close to the original location as possible and mark area to be removed. Trim 2 1/2" of the upper rib off to give room for baseplate. Do this on both sides of the vehicle. Some models may need more trimming (gray arrows) check the fascia fit.
18. Attach baseplate safety cables to the frame of the vehicle. The cables should be secure to a solid piece of the vehicle frame. Be sure the safety cables do not rub against any hoses.
19. Reinstall fascia inserting all bolts and pushpins. Installation of the baseplate is now complete.

Be sure that ALL electrical connections are plugged in properly and functioning BEFORE installing the fascia.

Install the tow bar and safety cables according to the instructions when demonstrating this to the customer. Be sure to included all the contents and packages.

Do **NOT** substitute other devices of the tow bar pins and clips are misplaced.

DEALER OR INSTALLER:
Be certain the user receives the instruction sheets for their products.

BX1679
2008-12 Chevrolet Malibu
Installation Instructions

Install the tow bar and safety cables according to the instructions when demonstrating this to the customer. Be sure to included all the contents and packages.

Do **NOT** substitute other devices of the tow bar pins and clips are misplaced.



Shown with removable tabs installed.



Shown without removable tabs installed.

If the baseplate is in an accident, it must be replaced. DO NOT use it again! An accident can cause unseen damage and using it again could result in more damage or serious injury. DO NOT use the baseplate if it is damaged or missing parts.

CUSTOMER SERVICE COMMITMENT

Blue Ox is committed to providing you with exceptional customer care throughout your lifetime with our products. Our team is here to assist you with any questions you may have regarding the performance of your product. Simply call (402) 385-3051 and you can speak with our customer care team.

Additionally, please visit our website to see which rallies our Destination America team will be attending. For a nominal fee, our service technician will service your towing system to ensure it's in proper working condition. Also, as a commitment to our customers, should you visit our factory, you can stay at our full service Blue Ox campground at no charge along with enjoying a factory tour.

Again, thank you for being our customer and for the confidence you have shown in the performance of our products. It is because of customers like you we enjoy the success we have today.



© 2011 Blue Ox
One Mill Road, Industrial Park
Pender, Nebraska 68047
Phone: (402) 385-3051
Toll Free: (800) 228-9289
Fax: (402) 385-3360
www.blueox.com

General Information

1. Ensure that your product(s) are registered online at www.blueox.com. It is crucial to register your product(s) so that you may be alerted of product offerings, updates, upgrades, maintenance and safety bulletins, and/or recalls.
2. **It is the owner's responsibility to inspect all towing equipment for cracked welds, missing or worn parts and loose bolts before each towing trip.** Be sure to use Loctite® Red on all bolts and tighten to the recommended specifications.
3. **It is the owner's responsibility to hook up all towing equipment per manufacturer's instructions/recommendations.**
4. Remove the attachment tabs when not in use (if applicable).

Notice To Baseplate Installer

1. It is YOUR responsibility to watch for:

- Oil cooler and air conditioner lines
- Electrical wires and hoses
- Missing parts or attaching points on the frame

** If the baseplate is improperly installed and is against a wire or hose, it could cause fluid leaks or electrical shorts some time after the actual baseplate installation.

Permanent Baseplate Safety Cable Installation

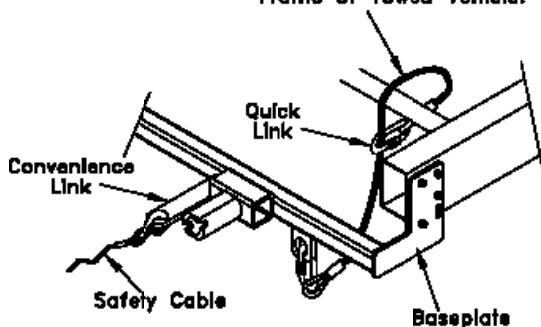
Permanent baseplate safety cables are strongly recommended when towing a vehicle with a tow bar. The principle function of the permanent baseplate safety cables is to prevent the towed vehicle from breaking loose in the event the connection between the frame of the towed vehicle and the baseplate fails or becomes disconnected. The cables must be connected from the baseplate to the frame rail or cross member of the vehicle's frame. The illustrations below show the possible arrangements recommended by Blue Ox®. Each permanent baseplate safety cable must have an adequate weight rating for the towing system. The weight rating of the two (2) cables together will not qualify.

Do not mount the permanent baseplate safety cables against wires, hoses or brake lines.

These permanent baseplate safety cables should remain installed as long as the baseplate is installed on the vehicle. Permanent baseplate safety cables are to be used in conjunction with, and NOT a replacement for legally required safety cables attaching the towed vehicle to the towing vehicle.

OPTION #1

Permanent Baseplate Safety Cables to Cross Member or Frame of Towed Vehicle.



OPTION #2

Permanent Baseplate Safety Cables to Cross Member or Frame of Towed Vehicle.

