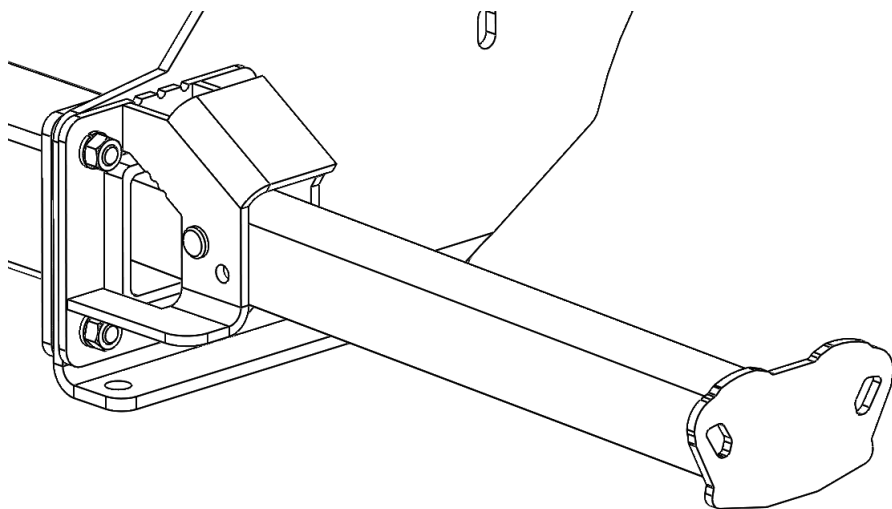


# **TORKLIFT** **INTERNATIONAL**

**OVER 35 YEARS OF INNOVATION, QUALITY, SAFETY.  
IMPORTANT OWNER-OPERATOR INSTALLATION INSTRUCTIONS**

**R3503A, R3504A, R3507A, R3508A, R3509A**



REVISED version 6 BY: DSK 11/19/2015  
**TECH SUPPORT (800) 246-8132**

**AFTER INSTALL, PLEASE GIVE  
THIS BOOKLET TO YOUR CUSTOMER**

# Warnings

## Truck Bed and Camper Protection

Torklift **does not** recommend installing your camper on top of a plastic bed liner (or other compressible material such as foam). These materials can act as a spring, causing increased vertical truck camper movement independent of the vehicle. Plastic bed liners can slide on the truck bed surface, and the truck camper can slide on top of the bed liner. Using a plastic bed liner or similar compressible material will void your warranty and may additionally cause truck bed and/or camper damage.

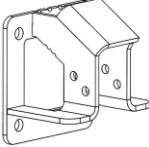
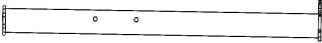
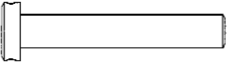
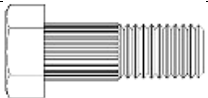
Minor movement or settling can occur in some incidental harsh driving conditions (on or off-road). A rubber bed mat is recommended to protect the truck bed and camper, but is not a requirement to maintain the Torklift legendary lifetime warranty.

## Suspension

To significantly reduce body roll, sag and sway Torklift strongly recommends the StableLoad. Torklift International StableLoads improve safety, handling, and to help level your truck. More information can be found at ([www.Torklift.com/stableload](http://www.Torklift.com/stableload)).

If your truck is additionally equipped with suspension air bags Torklift cautions against over pressurization as this may lead to unsafe vehicle handling characteristics. We have found that airbags used in conjunction with StableLoads have allowed operators to lower air bag pressure by 50% or more. Only pressurize suspension air bags enough to level the truck.

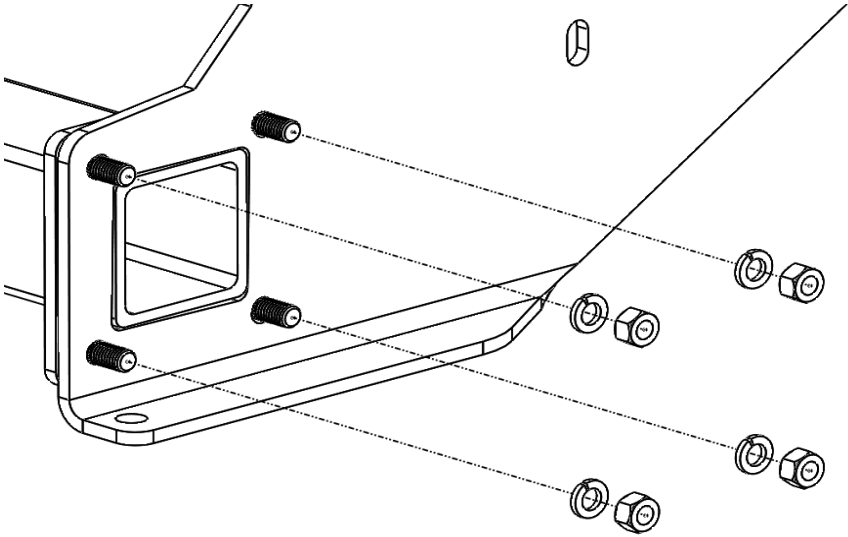
# Included Parts

 A technical drawing of a metal tie-down receiver. It features a U-shaped top with a vertical flange on the left side. The bottom has a horizontal flange with a small protrusion on the right. There are four circular holes: one on the left vertical flange, one on the bottom horizontal flange, and two on the right vertical flange.	Tie Down Receiver	X2
 A technical drawing of a long, thin metal tie-down insert. It has a slightly wider flange at each end and two small circular holes near the center.	Tie Down Insert	X2
 A technical drawing of a 3/8 inch snapper pin. It consists of a long cylindrical shaft with a wider, flat flange at one end.	3/8" Snapper Pin	X2
 A technical drawing of a 1/2 inch-13 x 1-7/8 inch Grade 8 ribbed neck bolt. It features a hexagonal head on the left and a long, threaded shaft with a ribbed neck section.	1/2"-13 x 1-7/8" Grade 8 Ribbed Neck Bolt	X8

**Step 1:**

On the passenger side of the vehicle, remove the four **1/2"-13 grade 8 nuts** and **1/2" lock washers** from the rib neck bolts holding the side plate to the Super Hitch cross tube.

**Figure 1.1**



**Step 2:**

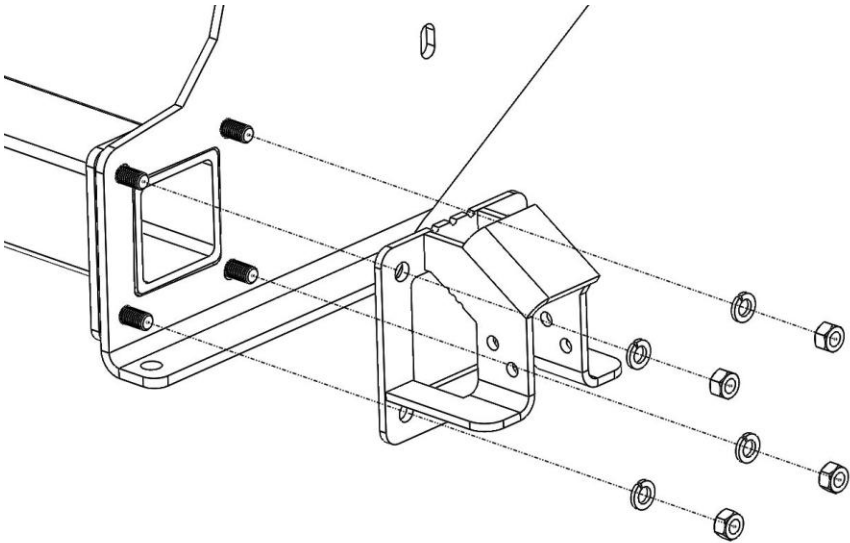
One at a time, Replace **Rib Neck Bolts** on the Super Hitch Cross Tube with the provided **1/2"-13 x 1-7/8" Grade 8 Ribbed Neck Bolts** if the bolts currently in use do not have at least 1/4" of threads after the nut is fully tightened down.

***Note: you may need to use a hammer or mallet to pound the Rib Neck Bolt out, be careful as to not damage the truck.***

**Step 3:**

Place the **Tie Down Receiver** over the protruding **1/2"-13 x 2" Grade 8 Hex Bolts** as shown in figure 3.1. Reinstall the four **1/2" lock washers** and **1/2"-13 grade 8 nuts**. Torque all four to 90 Ft-lbs (122 Nm).

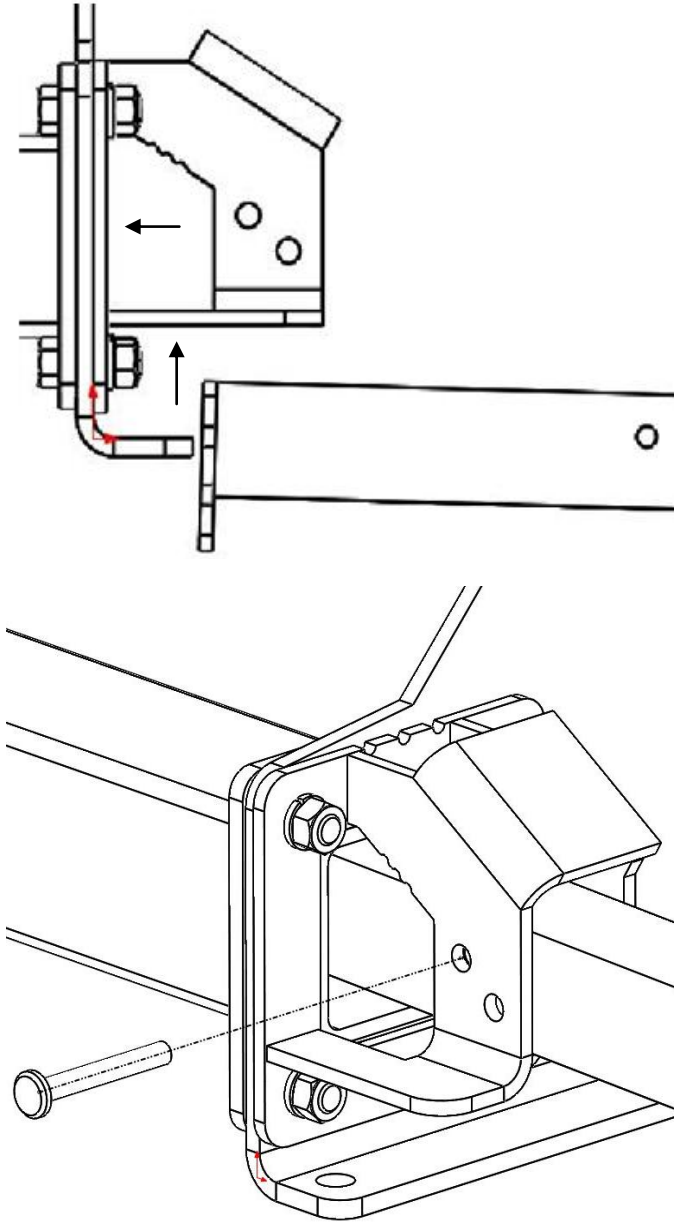
**Figure 3.1**



**Step 4:**

Install the **Tie Down Inserts** into the **Tie Down Receivers**. Reference figure 4.1 below and lift the insert up into the bracket before sliding it into the Super Hitch cross tube. The **Tie Down Inserts** are secured with the **supplied 3/8" snapper pin**. (Repeat Steps 1-3 for the driver side of the vehicle)

Figure 4.1



## INSTRUCTIONS FOR FINISH MAINTENANCE OF TORKLIFT PRODUCTS

### **POWDER COATED STEEL:**

To keep your Torklift products looking good follow these guidelines. All steel powder coated Torklift products are sandblasted for maximum adhesion and use a high quality industrial urethane based powder coat. Due to the extreme, harsh, undercar environment that your Torklift products live in, (consistently sprayed with corrosive road chemicals such as salt, and road debris), Torklift does not warranty the power coated finish.

To minimize corrosion from these factors on powder coated steel products, Torklift recommends regularly cleaning and inspecting the powder coated surface and touching up any affected areas with an enamel or urethane based aerosol paint product. If there are any areas of surface rust, there are also aerosol spray rust converters available on the market that can be used as a preparation to touch-up paint application. These finish maintenance products are available at any automotive parts supplier.

### **POLISHED STAINLESS STEEL :**

TorkLift utilizes quality grade 304 stainless steel in our stainless steel polished products. 304 stainless

steel is well known for its anti-corrosive properties. However, in some environments such as coastal regions or when coming in contact with some road chemicals, corrosion may occur. For a quick clean simply use WD40 and a cloth rag. We also recommend occasional polishing of our polished stainless products to maintain their attractive finish. Use an approved stainless steel chrome or aluminum mag wheel polish cleaning product which can be purchased from any automotive parts supplier.

# **Torklift International Limited Lifetime Warranty Information**

**322 Railroad Ave North, Kent, WA 98032**

Torklift will require proof of purchase to register, with pictures of any defective product before issuing a replacement. Torklift will not register any product without proof of purchase, which can be faxed, scanned, emailed, or mailed to the information provided below.

Torklift warrants it's hitches, custom hitch receivers, frame mounted tie downs, turnbuckles, and accessories (excluding wire harnesses which carry a 90 day warranty) from date of purchase against defects in material and workmanship under normal use and service for the ownership life of the original consumer purchaser. ALL

**COMMERCIAL APPLICATIONS ARE WARRANTED FOR A PERIOD OF 90 DAYS FROM THE DATE OF**

**INSTALLATION/SERVICE. Torklift will replace FREE OF CHARGE any part which proves defective in material or**

**workmanship when presented to Torklift, TRANSPORTATION CHARGES PREPAID by purchaser, at the address above. THIS**

**WARRANTY IS LIMITED TO DEFECTIVE PARTS**

**REPLACEMENT ONLY. LABOR CHARGES AND/OR DAMAGE INCURRED IN INSTALLATION OR REPLACEMENT, AS WELL**

**AS INCIDENTAL AND CONSEQUENTIAL DAMAGES**

**CONNECTED THEREWITH ARE EXCLUDED. This warranty**

**does not include the finish or paint on our products. Rusting, cracking or peeling of the finish is also excluded. Some states do not allow the**

**exclusion or limitation of incidental or consequential damages, so the above limitation or exclusion may not apply to you. Any damage to**

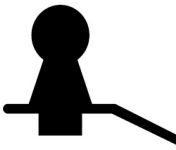
**Torklift products as a result of misuse, abuse, neglect, accident, improper installation or any use violative of**

**instructions furnished by Torklift or WHEN USED IN ANY**

**COMMERCIAL APPLICATION WILL VOID THE WARRANTY.**

**This warranty gives you specific legal rights, and you may also have rights which vary from state to state. With warranty service, you may be able to go to a small claims court, a state court or a federal district court.**





# **TORKLIFT™**

## **INTERNATIONAL**

**322 Railroad Ave North, Kent, WA 98032**  
**Phone (800) 246-8132 Fax (253) 854-8003**

**Or visit our website: [www.TorkLift.com](http://www.TorkLift.com)**

Dear Valued Customer,

Thank you for making TorkLift your choice for truck, camper packages and accessories for your vehicle. By choosing TorkLift products, you have chosen a company that has been serving the RV industry for nearly 40 years and whose name has become synonymous with strength, quality and advanced design and installation.

Please take a few moments of your time to complete the Product Registration Warranty Card on the next page. When registering your newly purchased TorkLift products, you can be assured that your contact information is secure and that you and your product are getting the attention and respect that you deserve.

Thank you again for choosing TorkLift quality products.

**Register for your lifetime warranty and receive a free  
Torklift  
International gift.**

To Fax: Send copies of the questionnaire, warranty card and receipt to  
253-854-8003

To E-mail: Send copies of the questionnaire, warranty card and receipt to  
[warranty@torklift.com](mailto:warranty@torklift.com)

To Mail: Send to Torklift International 322 Railroad Ave North, Kent, WA 98032



## OFFICIAL WARRANTY REGISTRATION CARD

PLEASE FILL OUT THIS FORM COMPLETELY AND RETURN TO TORKLIFT WITHIN  
30 DAYS OF PURCHASE ACCOMPANIED BY A COPY OF YOUR ORIGINAL RECEIPT

### 1. PART(S) PURCHASED

TODAY'S DATE: \_\_\_\_\_

PART #: \_\_\_\_\_ PART #: \_\_\_\_\_

PART #: \_\_\_\_\_ PART #: \_\_\_\_\_

PART #: \_\_\_\_\_ PART #: \_\_\_\_\_

### 2. PURCHASER INFORMATION

NAME: \_\_\_\_\_

ADDRESS: \_\_\_\_\_

CITY: \_\_\_\_\_ STATE: \_\_\_\_\_ ZIP / POSTAL CODE: \_\_\_\_\_

PHONE: (\_\_\_\_) \_\_\_\_\_ - \_\_\_\_\_ EMAIL: \_\_\_\_\_

### 3. TRUCK INFORMATION

YEAR: \_\_\_\_\_ MAKE: \_\_\_\_\_

MODEL: \_\_\_\_\_ BED LENGTH: \_\_\_\_\_

### 4. CAMPER INFORMATION

YEAR: \_\_\_\_\_ MAKE: \_\_\_\_\_ MODEL: \_\_\_\_\_

### 5. DEALER INFORMATION

PURCHASED FROM: \_\_\_\_\_

ADDRESS: \_\_\_\_\_

CITY: \_\_\_\_\_ STATE: \_\_\_\_\_ ZIP / POSTAL: \_\_\_\_\_

INSTALLED BY: \_\_\_\_\_ OWNER ABOVE DEALER ANOTHER DEALER

IF ANOTHER DEALER, WHO: \_\_\_\_\_