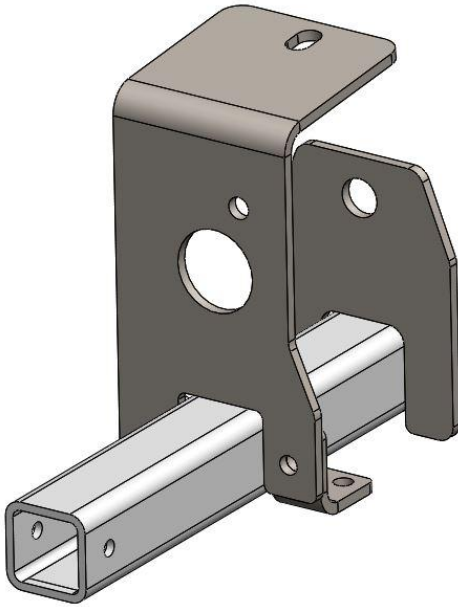




OVER 35 YEARS OF INNOVATION, QUALITY, SAFETY.
IMPORTANT OWNER-OPERATOR INSTALLATION INSTRUCTIONS

Part F2012



Version 8 (8/7/2015) BY: JL

TECH SUPPORT (800) 246-8132

**AFTER INSTALL, PLEASE GIVE
THIS BOOKLET TO YOUR CUSTOMER**

Warnings

Truck Bed and Camper Protection

Torklift **does not** recommend installing your camper on top of a plastic bed liner (or other compressible material such as foam). These materials can act as a spring, causing increased vertical truck camper movement independent of the vehicle. Plastic bed liners can slide on the truck bed surface, and the truck camper can slide on top of the bed liner. Using a plastic bed liner or similar compressible material will void your warranty and may additionally cause truck bed and/or camper damage.

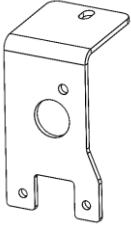
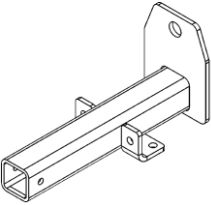
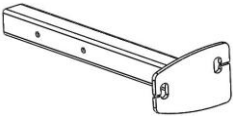





Minor movement or settling can occur in some incidental harsh driving conditions (on or off-road). A rubber bed mat is recommended to protect the truck bed and camper, but is not a requirement to maintain the Torklift legendary lifetime warranty.









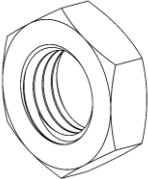

Suspension

To significantly reduce body roll, sag and sway Torklift strongly recommends the StableLoad. Torklift International StableLoads improve safety, handling, and to help level your truck. More information can be found at (www.Torklift.com/stableload).

If your truck is additionally equipped with suspension air bags Torklift cautions against over pressurization as this may lead to unsafe vehicle handling characteristics. We have found that airbags used in conjunction with StableLoads have allowed operators to lower air bag pressure by 50% or more. Only pressurize suspension air bags enough to level the truck.

Parts Inventory

Item Image	Item Description	Quantity
	Top Plate (not mirrored)	2
	F2012 Receiver	2
	17.875" Straight Insert	2
	1/2"-13 x 1-1/2" Grade 8 Hex Bolt	2
	1/2" USS Flat Washer	4
	1/2" Lock Washer	2
	1/2"-13 Grade 8 Hex Nut	2
	7/16"-14 x 1-3/4" Thin Head Hex Bolt	2

	7/16" SAE Flat Washer	4
	7/16" Lock Washer	2
	7/16"-14 Grade 8 Hex Nut	2
	3/8"-16 x 1-1/4" Grade 5 Hex Bolt	5
	3/8" USS Flat Washer	10
	3/8" Grade 5 Lock Washer	5
	3/8"-16 Grade 5 Hex Nut	5
	3/4" ID x 2" OD Flat Washer	2
	M20 x 2.5 Locking Thin Hex Nut	2
	2.25" Snapper Pin	2

Step One:

Begin on the driver side of the vehicle by locating the forward most leaf spring perch, just to the rear of the cab.

Identify whether or not your vehicle has a parking brake cable bracket installed as shown in photo 1.1 below.

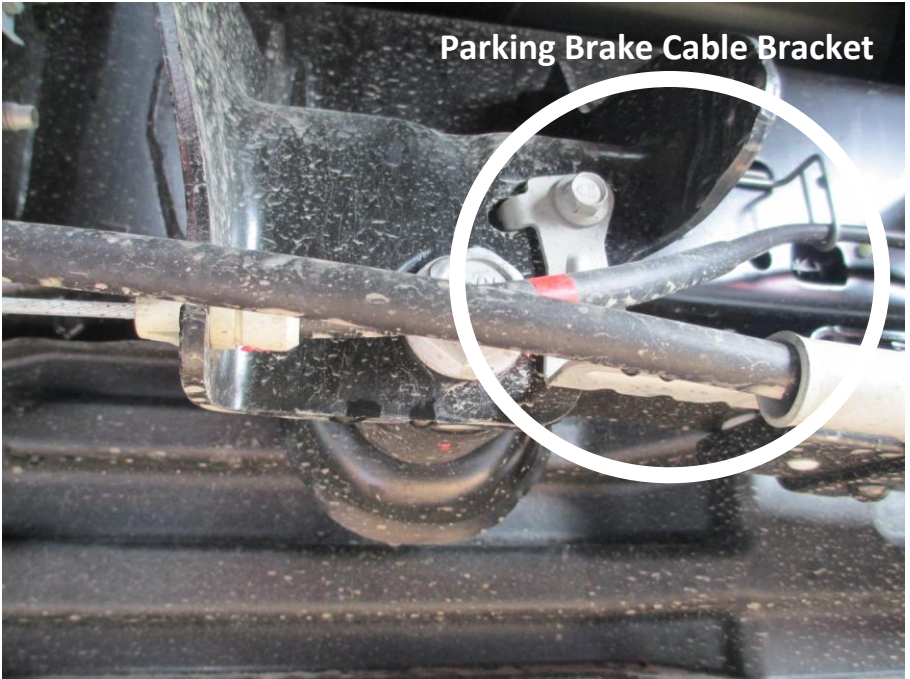


Photo 1.1

If a parking brake bracket IS installed, remove the bolt holding the bracket in place and leave the bracket on the parking brake cable.

Step Two:

Slide the top plate from the top down between the parking brake cables and leaf spring hanger, and then place the top plate over the head of the leaf spring bolt as shown in figure 2.1.

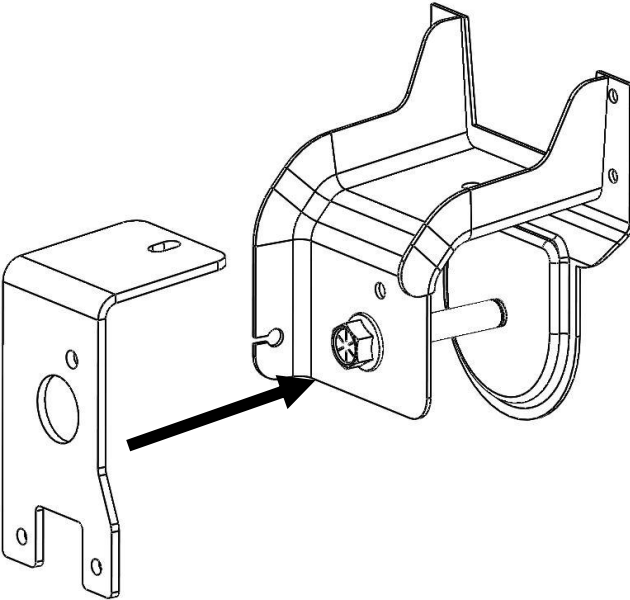


Figure 2.1

Install one **1/2"-13 x 1-1/2" Hex Bolt** with one **1/2" USS Flat Washer** up through the spring perch and **Top Plate**. Secure with one **1/2" USS Flat Washer**, one **1/2" Lock Washer**, and one **1/2" Hex Nut**. Reference figure 2.2

Leave the hardware assembly hand tight at this time. Ensure that the **Top Plate** is flush to the front and top of the spring perch.

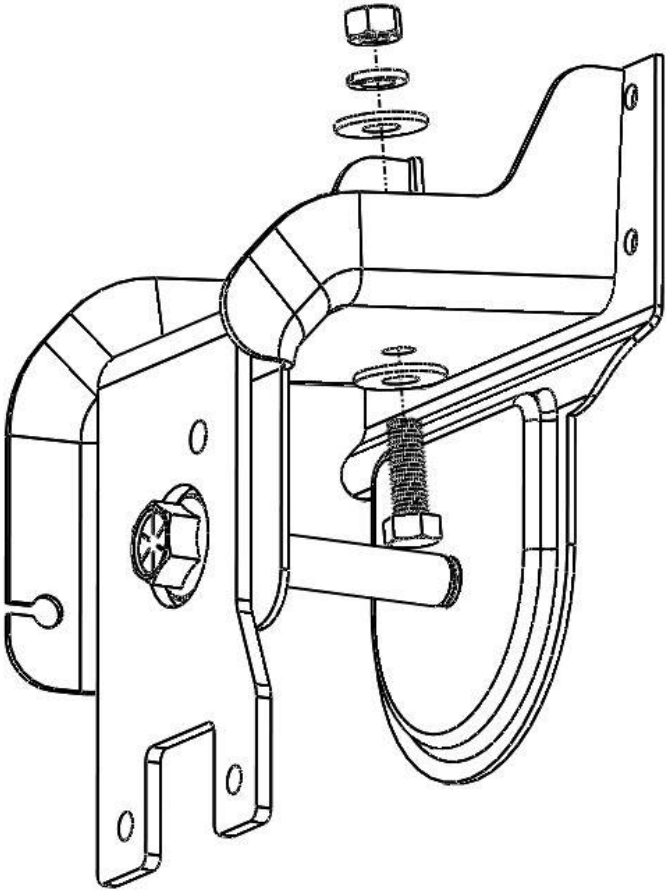


Figure 2.2

Step 3:

Note: For Model Year 2008-2010 trucks, use the small hole in the Top Plate as a template to drill a 7/16" hole through the leaf spring hanger bracket just above and to the right of the leaf spring bolt. For 2011 and newer model trucks, the 7/16" hole is already present from the factory.

Install a **7/16"-14 x 1-3/4" Thin Head Hex Bolt** with one **7/16" SAE Flat Washer** through hole in the leaf spring hanger bracket and out through the small hole in the **Top Plate**. Secure the bolt with one **7/16" SAE Flat Washer**, one **7/16" Lock Washer** and one **7/16"-14 Grade 8 Hex Nut**. Leave the hardware assembly hand tight at this time. See figure 3.1

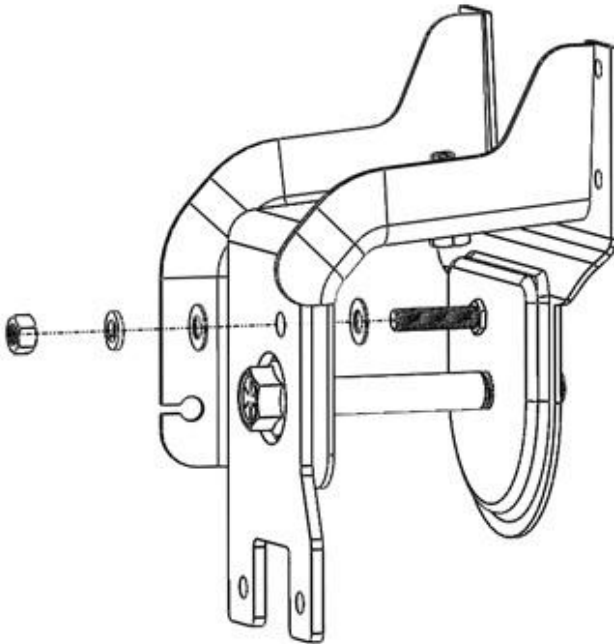


Figure 3.1

Step 4:

Place a **3/4" Flat Washer** on the protruding threads of the leaf spring bolt. Install one of the **F2012 Receivers** over the washer and secure with one **M20 x 2.5 Thin Locking Hex Nut**. Reference figure 4.1 below for the correct hardware assembly and leave the nut loose at this time.

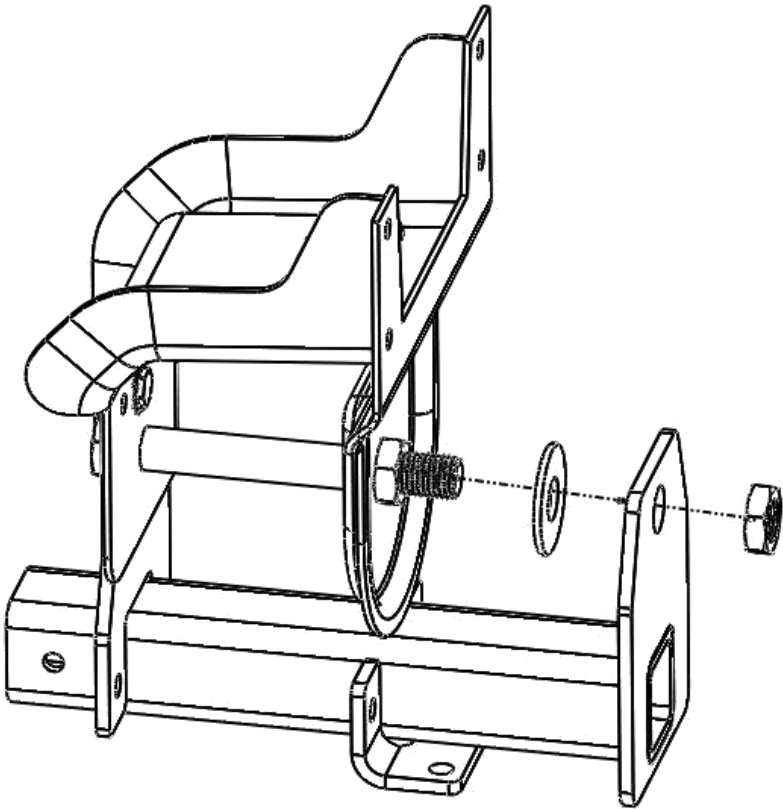


Figure 4.1

Step 5:

Connect the **F2012 Receiver** to the **Top Plate** using two **3/8"-16 x 1-1/4" Hex Bolts**, four **3/8" Flat Washers**, two **3/8" Lock Washers**, and two **3/8"-16 Hex Nuts**. Reference Figure 5.1 below and leave the hardware hand tight as this time.

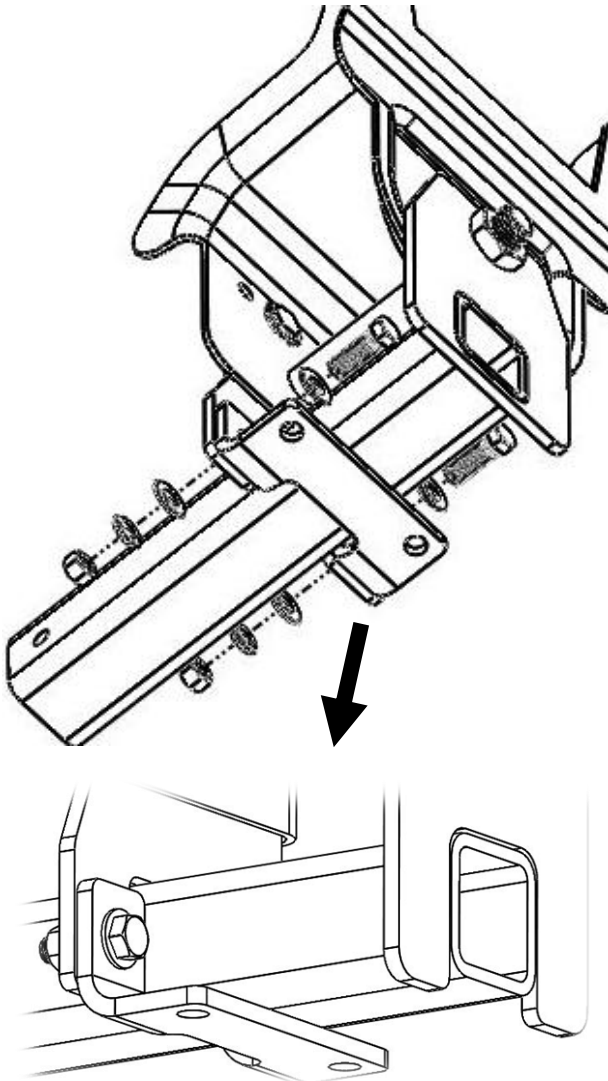


Figure 5.1

Step 6:

- a) First, torque the **1/2"-13 x 1-1/2" Grade 8 Hex Bolt** to 75 ft-lbs (101 N m).
- b) Next, torque the **7/16"-14 x 1-1/2" Grade 8 Hex Bolt** to 40ft-lbs (54 N m)
- c) Next, torque the **M20 x 2.5mm Thin Hex Nut** to approximately 70 ft-lbs (95 N m). A torque wrench will not fit between the leaf spring hanger and vehicle frame.
- d) Finally, torque the **3/8"-16 x 1-1/4" Hex Bolts** to 20 ft-lbs (27 N m).

Step 7: (DRIVER SIDE ONLY)

Connect the parking brake bracket to the **F2012 Receiver** using one **3/8"-16 x 1-1/4" Hex Bolt**, two **3/8" Flat Washers**, one **3/8" Lock Washer**, and one **3/8" Hex Nut**. Make sure the cable is routed **over the top** of the receiver tube and torque to 20 ft-lbs. See Figure 7.1

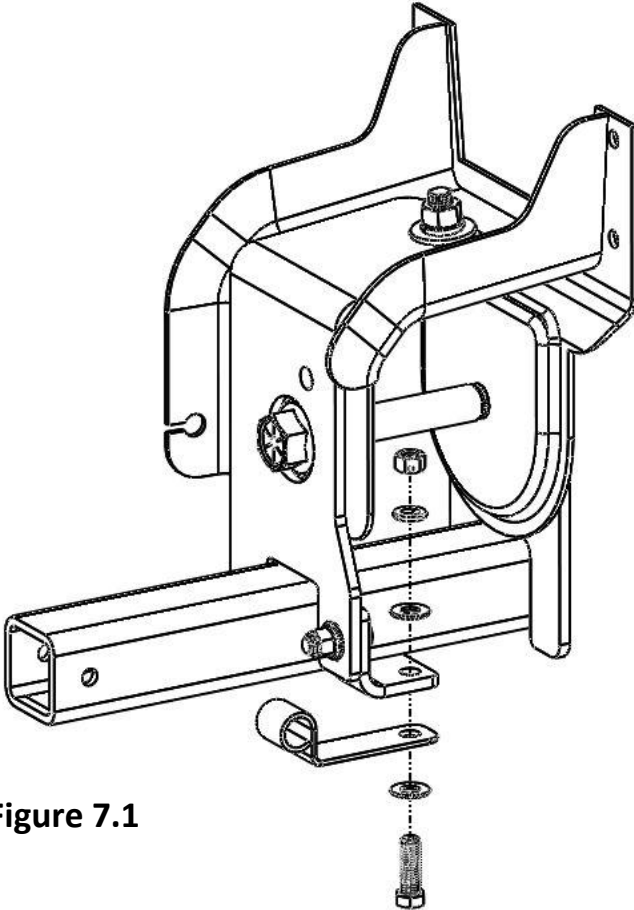


Figure 7.1

Step 7:

Repeat the installation process on the passenger side of the truck, then install the tie down inserts.

TIEDOWN INSERT INSTALLATION INSTRUCTIONS

On one end of each of your tie down inserts is a triangular plate referred to by Torklift as a bullet plate. In most cases, the tie down inserts should be installed with the shorter side of the bullet plate facing away from each other, i.e.. The shorter side of the front insert should point to the front of the truck and the shorter side of the rear insert should point towards the rear of the truck.



DRIVERS SIDE FRONT



DRIVERS SIDE REAR

Once installed, attach the TorkLift directional stickers to the face of the bullet plate on the insert as a reminder.

IMPORTANT NOTE: Your tie down inserts are designed to have clearance inside of the receiver. This is to account for road debris, as well as aid in installation and removal. Some rattle may be expected if the inserts are left installed while not under load from the camper.

Torklift International Limited Lifetime Warranty Information

322 Railroad Ave N, Kent, WA 98032

Torklift will require proof of purchase to register, with pictures of any defective product before issuing a replacement. Torklift will not register any product without proof of purchase, which can be faxed, scanned, emailed, or mailed to the information provided below. Torklift warrants its hitches, custom hitch receivers, frame mounted tie downs, turnbuckles, and accessories (excluding wire harnesses which carry a 90 day warranty) from date of purchase against defects in material and workmanship under normal use and service for the ownership life of the original consumer purchaser. All plastic, rubber, and/ or electrical components maintain a warranty of up to one year from the date of the purchase. **ALL COMMERCIAL APPLICATIONS ARE WARRANTED FOR A PERIOD OF 90 DAYS FROM THE DATE OF INSTALLATION/SERVICE.** Torklift will replace **FREE OF CHARGE** any part which proves defective in material or workmanship when presented to Torklift, **TRANSPORTATION CHARGES PREPAID** by purchaser, at the address above. **THIS WARRANTY IS LIMITED TO DEFECTIVE PARTS REPLACEMENT ONLY. LABOR CHARGES AND/OR DAMAGE INCURRED IN INSTALLATION OR REPLACEMENT, AS WELL AS INCIDENTAL AND CONSEQUENTIAL DAMAGES CONNECTED THEREWITH ARE EXCLUDED.** This warranty does not include the finish or paint on our products. Rusting, cracking or peeling of the finish is also excluded. Some states do not allow the exclusion or limitation of incidental or consequential damages, so the above limitation or exclusion may not apply to you. Any damage to Torklift products as a result of misuse, abuse, neglect, accident, improper installation or any use violative of instructions furnished by Torklift or **WHEN USED IN ANY COMMERCIAL APPLICATION WILL VOID THE WARRANTY.** This warranty gives you specific legal rights, and you may also have rights which vary from state to state. With warranty service, you may be able to go to a small claims court, a state court or a federal district court.



TORKLIFT™

INTERNATIONAL

322 Railroad Ave North, Kent, WA 98032

Phone (800) 246-8132 Fax (253) 854-8003

Or visit our website: www.TorkLift.com

Dear Valued Customer,

Thank you for making TorkLift your choice for truck, camper packages and accessories for your vehicle. By choosing TorkLift products, you have chosen a company that has been serving the RV industry for nearly 40 years and whose name has become synonymous with strength, quality and advanced design and installation.

Please take a few moments of your time to complete the Product Registration Warranty Card on the next page. When registering your newly purchased TorkLift products, you can be assured that your contact information is secure and that you and your product are getting the attention and respect that you deserve.

Thank you again for choosing TorkLift quality products.

Register for your lifetime warranty and receive a free Torklift International gift.

To Fax: Send copies of the questionnaire, warranty card and receipt to
253-854-8003

To E-mail: Send copies of the questionnaire, warranty card and receipt to
warranty@torklift.com

To Mail: Send to Torklift International 322 Railroad Ave N, Kent, WA 98032



OFFICIAL WARRANTY REGISTRATION CARD

PLEASE FILL OUT THIS FORM COMPLETELY AND RETURN TO TORKLIFT WITHIN

30 DAYS OF PURCHASE ACCOMPANIED BY A COPY OF YOUR ORIGINAL RECEIPT

1. PART(S) PURCHASED

TODAY'S DATE: _____

PART #: _____ PART #: _____

PART #: _____ PART #: _____

PART #: _____ PART #: _____

2. PURCHASER INFORMATION

NAME: _____

ADDRESS: _____

CITY: _____ STATE: _____ ZIP / POSTAL CODE: _____

PHONE: (____) _____ - _____ EMAIL: _____

3. TRUCK INFORMATION

YEAR: _____ MAKE: _____

MODEL: _____ BED LENGTH: _____

4. CAMPER INFORMATION

YEAR: _____ MAKE: _____ MODEL: _____

5. DEALER INFORMATION

PURCHASED FROM: _____

ADDRESS: _____

CITY: _____ STATE: _____ ZIP / POSTAL: _____

INSTALLED BY: _____ OWNER ABOVE DEALER ANOTHER DEALER

IF ANOTHER DEALER, WHO: _____