

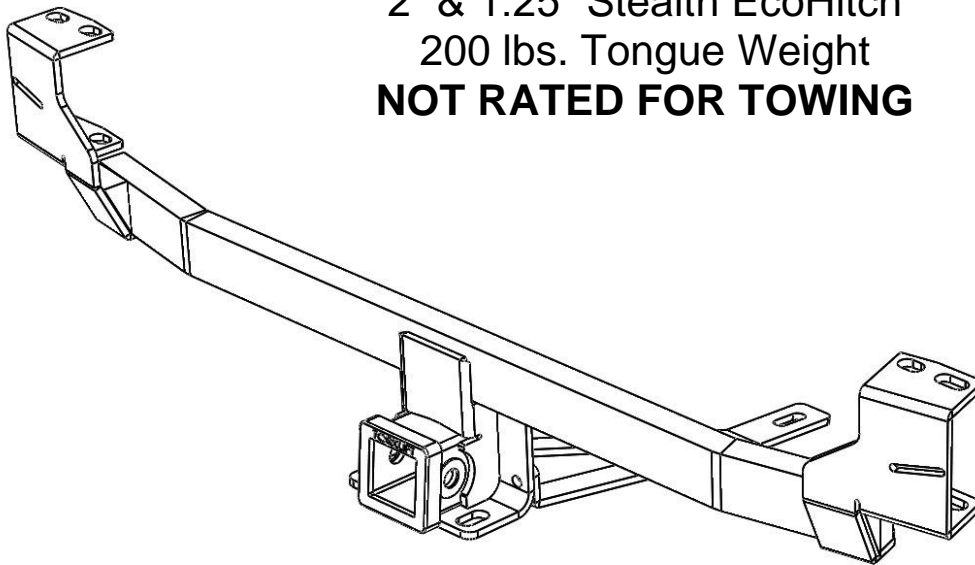


ecoHITCH -Designed Specifically For Your **Green Vehicle**

Installation Instructions

Application Fits
2014-16 BMW i3
X7277 & X7278

2" & 1.25" Stealth EcoHitch
200 lbs. Tongue Weight
NOT RATED FOR TOWING



Torklift Central
315 Central Ave N
Kent, WA 98032
253-854-1832
www.torkliftcentral.com
support@torkliftcentral.com

Stay Connected



Bolt Kit Weight: 540g

Hardware Included

QTY Fastener

QTY Fastener

5 5/16" Flat Washer
2 5/16"-18 Hex Nut Gr. 5
2 5/16"-18 x 1" Hex Cap Screw Gr. 5
8 3/8" Flat Washer
4 3/8"-16 Nylock Hex Nut Gr. C
4 3/8"-16 x 5" Hex Cap Screw Gr. 8

1 1/2"D-1"x2" Plate Washer
1 18" Trim Lok Strip
1 Stiffener Plate
2 Velcro Square

READ THESE INSTRUCTIONS THOROUGHLY AND ACCOUNT FOR ALL HARDWARE LISTED BEFORE BEGINNING INSTALLATION!

Step 1. Raise vehicle on suitable jack stands, ramps, or hoist.

Step 2. Open rear trunk hatch and remove license plate. Remove the (1) screw located behind the license plate. See Figure [1].

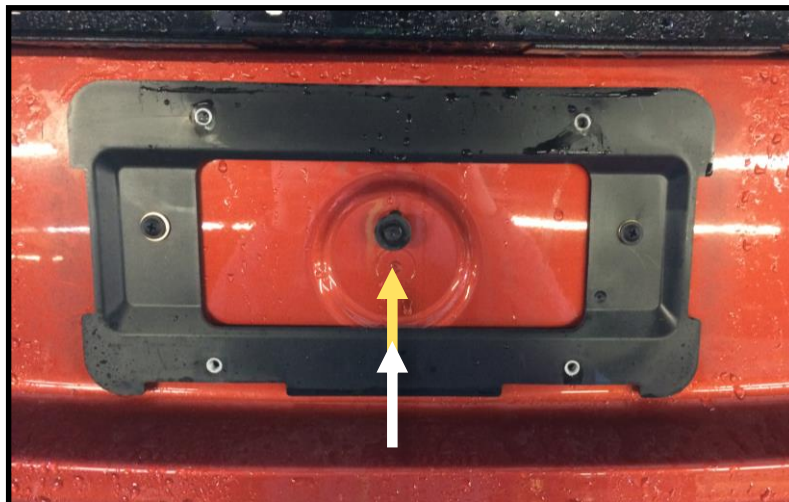


Fig. [1]

Step 3. Remove the (2) screws located on the lower portions of the rear hatch edges of the driver and passenger side. See Figure [2] & [3].

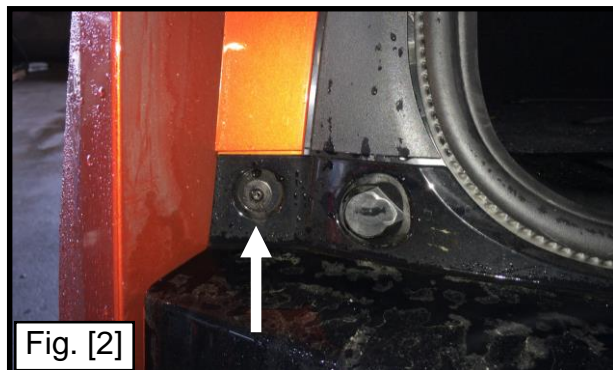


Fig. [2]

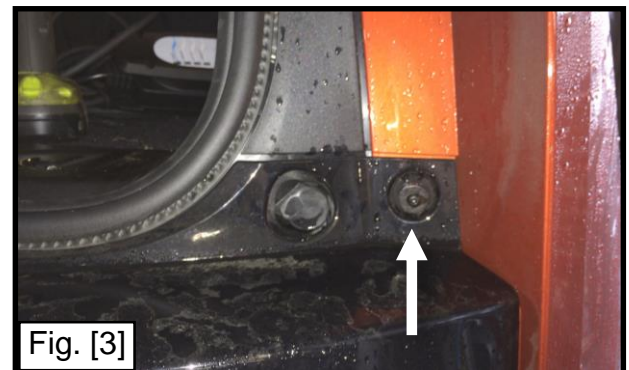


Fig. [3]

Step 4. Remove (1) screw in the rearward wheel well wall. Repeat on opposite side.
See Figure [4].

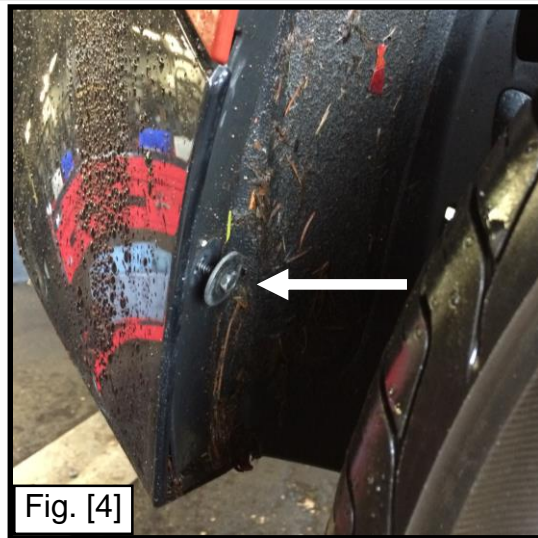


Fig. [4]

Step 5. Remove (8) screws located along the underside of the bumper fascia.
See Figure [5] & [6].

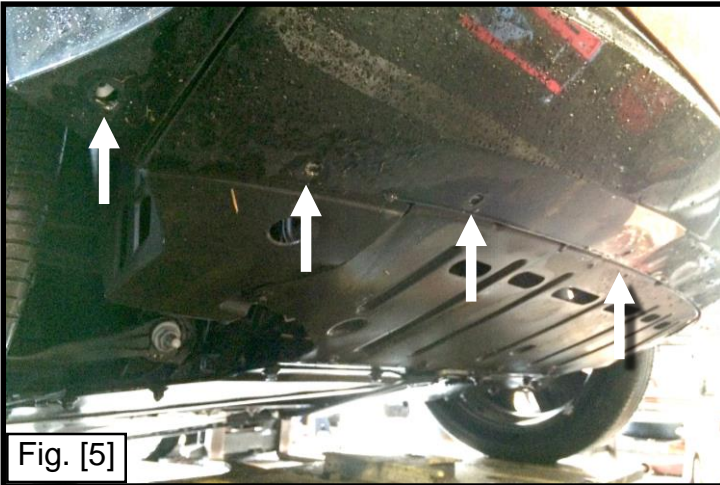


Fig. [5]

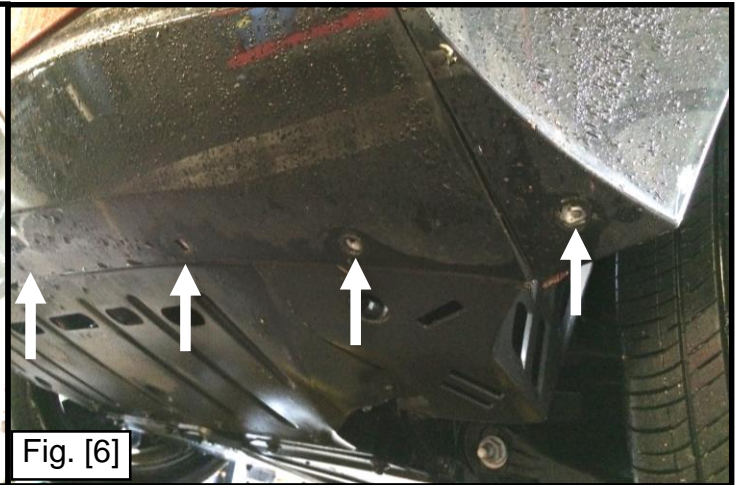


Fig. [6]

Step 6. On the passenger side, peel back the wheel well liner as shown in Figure [7] and release the first bumper fascia tab. Once the first tab is released, begin to pull downwards on the bumper fascia. Use a flat head tool to release remaining tabs as shown in Figure [8]. Repeat process on driver side.

DO NOT COMPLETELY REMOVE.

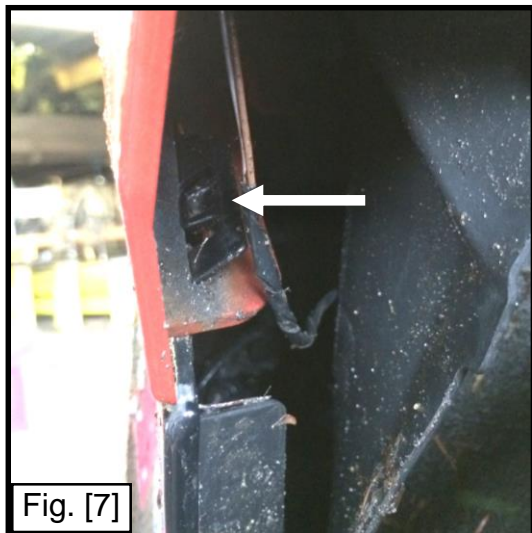


Fig. [7]

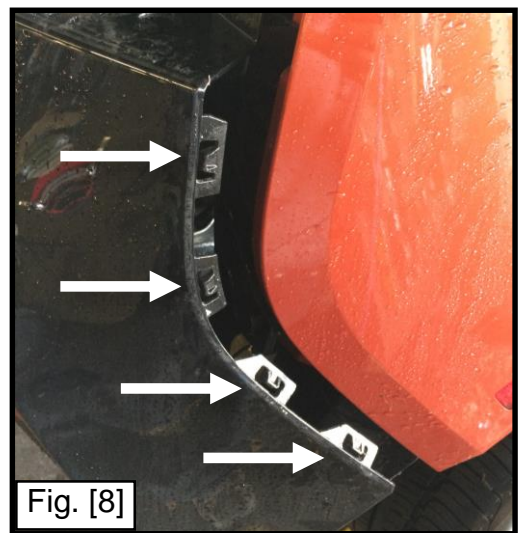


Fig. [8]

Step 7. With all of the tabs released, have an assistant help unclip the various back up sensor wires and antennas. To remove the license plate light wire harness, pinch the light assembly housing holding clip and push the housing down, then remove the wire harness clip. See Figure [9], [10], [11].



Fig. [9]



Fig. [10]



Fig. [11]

Step 8. Once all of the sensor wires have been unclipped you can set the bumper fascia aside. Remove the wiring harness from the black plastic hangers and then remove the black plastic wire holder held on by clamps. See Figure [12], [13], [14].



Fig. [12]

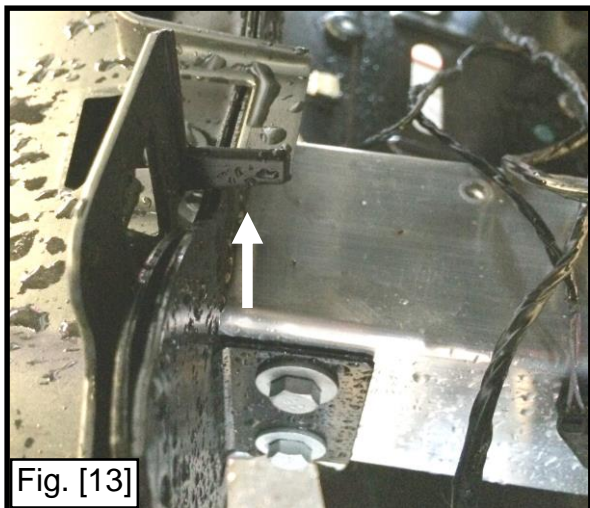


Fig. [13]

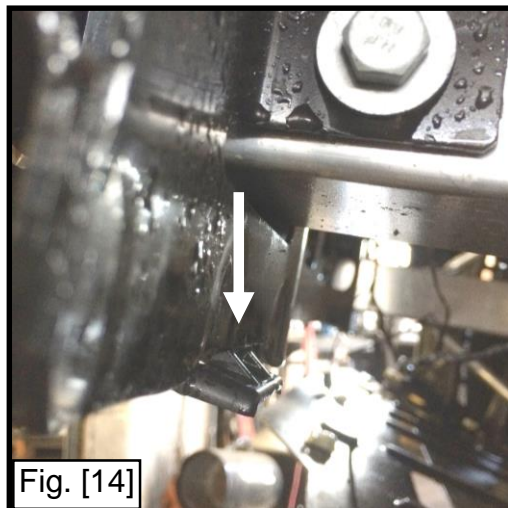
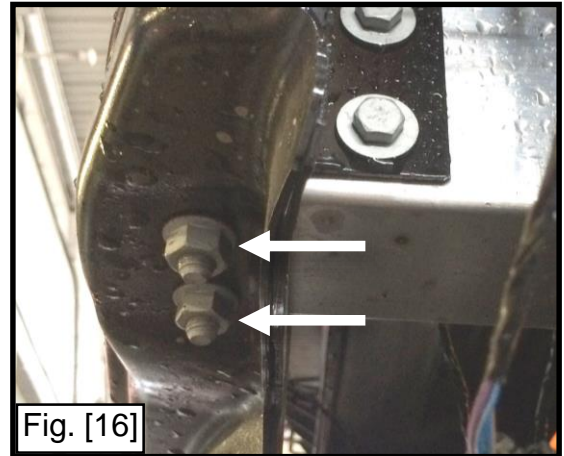
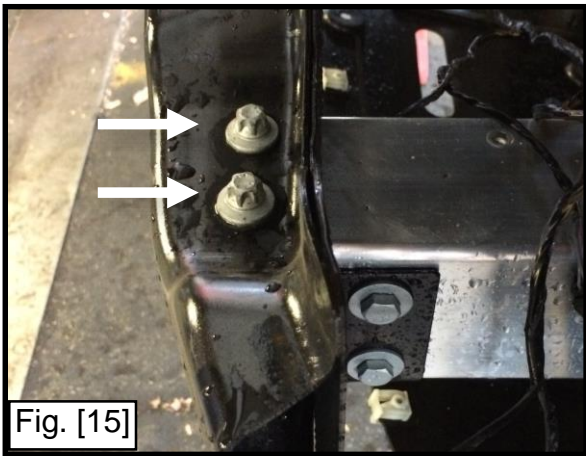
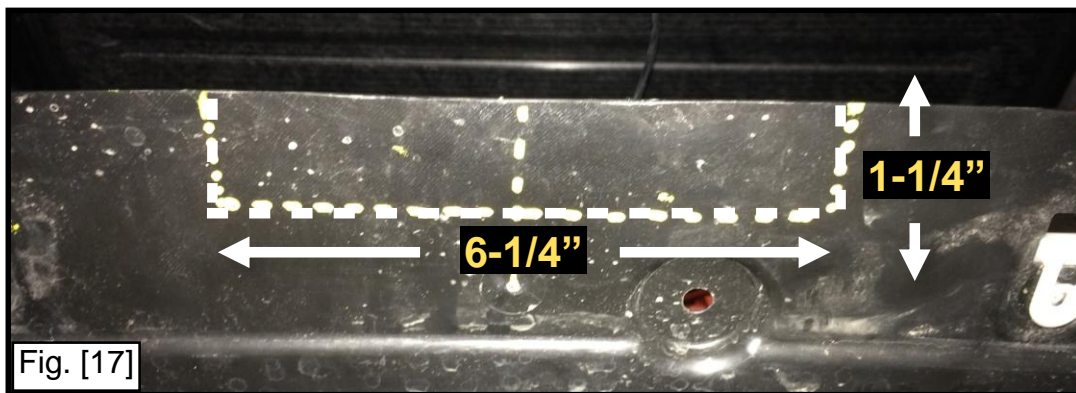


Fig. [14]

Step 9. Remove the (2) factory bolts on the passenger side holding the impact bar to the vehicle and discard. Repeat on driver side. See Figure [15] & [16].



Step 10. Trim a 1-1/4" x 6-1/4" section from the center of the underbody panel still attached to the vehicle as shown in Figure [17] to allow room for the hitch.



Step 11. Remove the antenna located on the bumper fascia that is held on by retainer clips. Relocate it to the underside of the hitch on the passenger side. Secure it with the supplied velcro squares as shown in Figure [19].



Step 12. Place hitch over the impact bar and drop (1) 3/8" x 5" bolt and (1) 3/8" flat washer, through each of the top frame plate holes. On the underside, secure the 3/8" hardware with (1) 3/8" flat washer and (1) 3/8" nylock hex nut.

NOTE: Hand tighten only at this time.

Step 13. Located directly forward of the hitch receiver, remove the factory bolt shown in Figure [20]. Place the supplied 1x2 plate washer into the groove to sit flush with the vehicle, then raise the Stiffener Plate into position. Secure with (1) 5/16" flat washer and the factory nut. Next, place (1) 5/16" x 1" bolt and (1) 5/16" flat washer through each hole on the face of the chain plate, through the Stiffener Plate, and secure on the back side with (1) 5/16" flat washer and (1) 5/16" hex nut. See Figure [20] & [21].
Hand tighten only at this time.

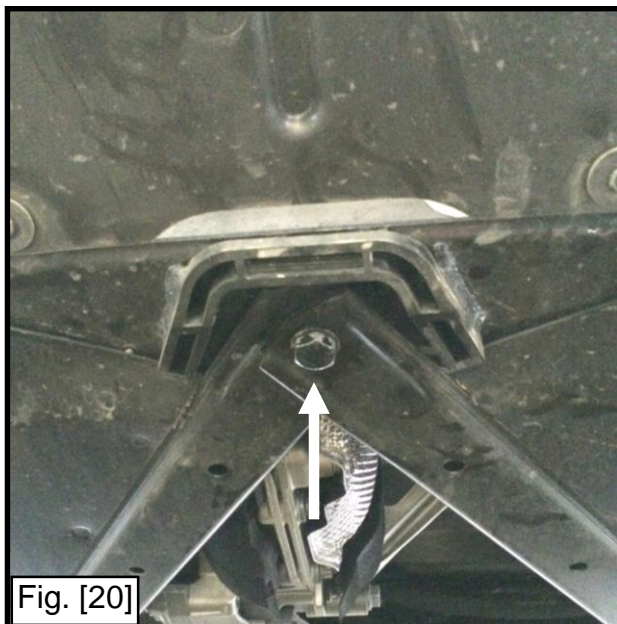


Fig. [20]

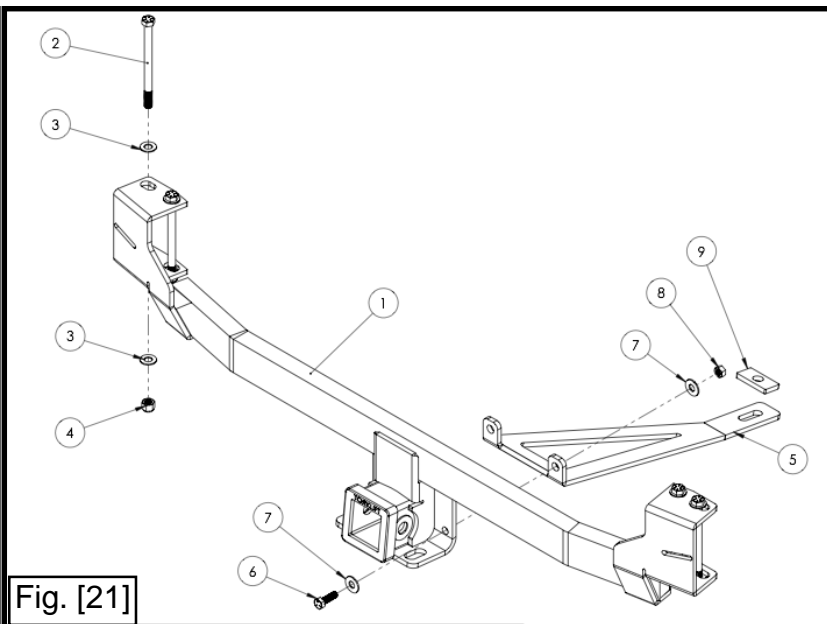
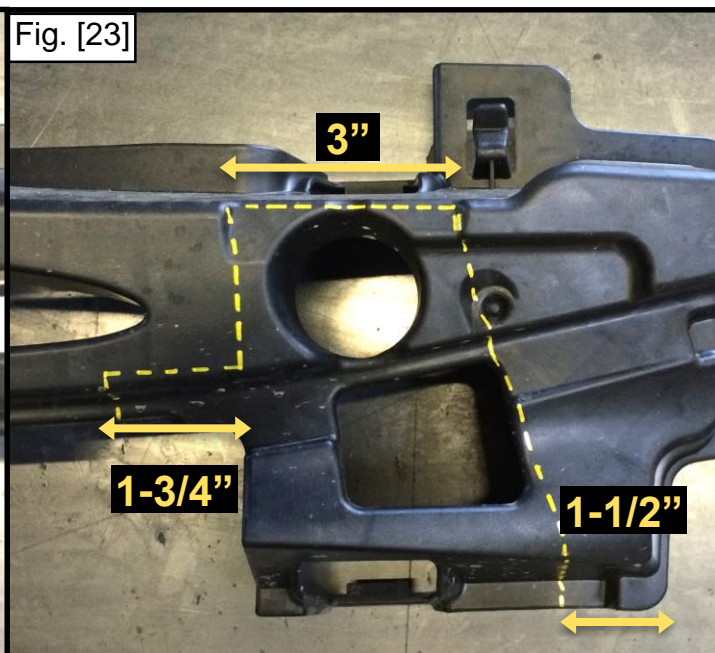
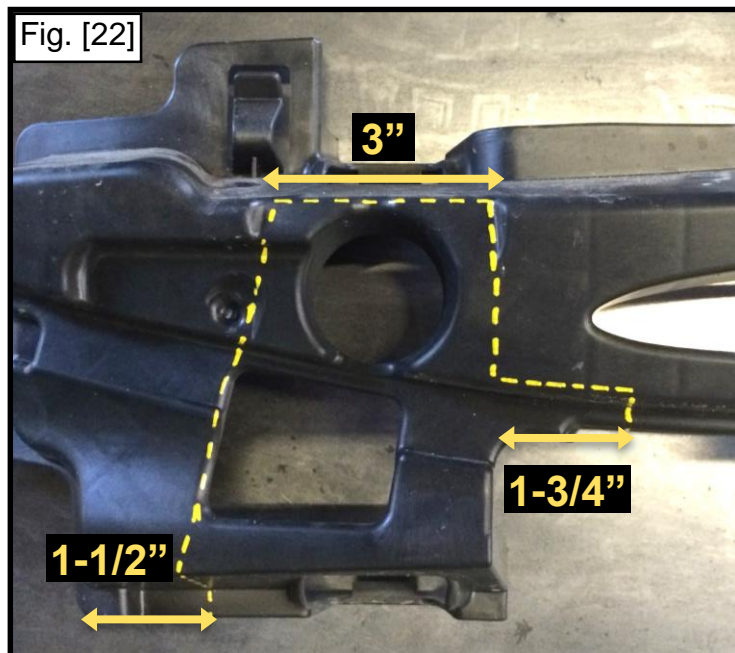


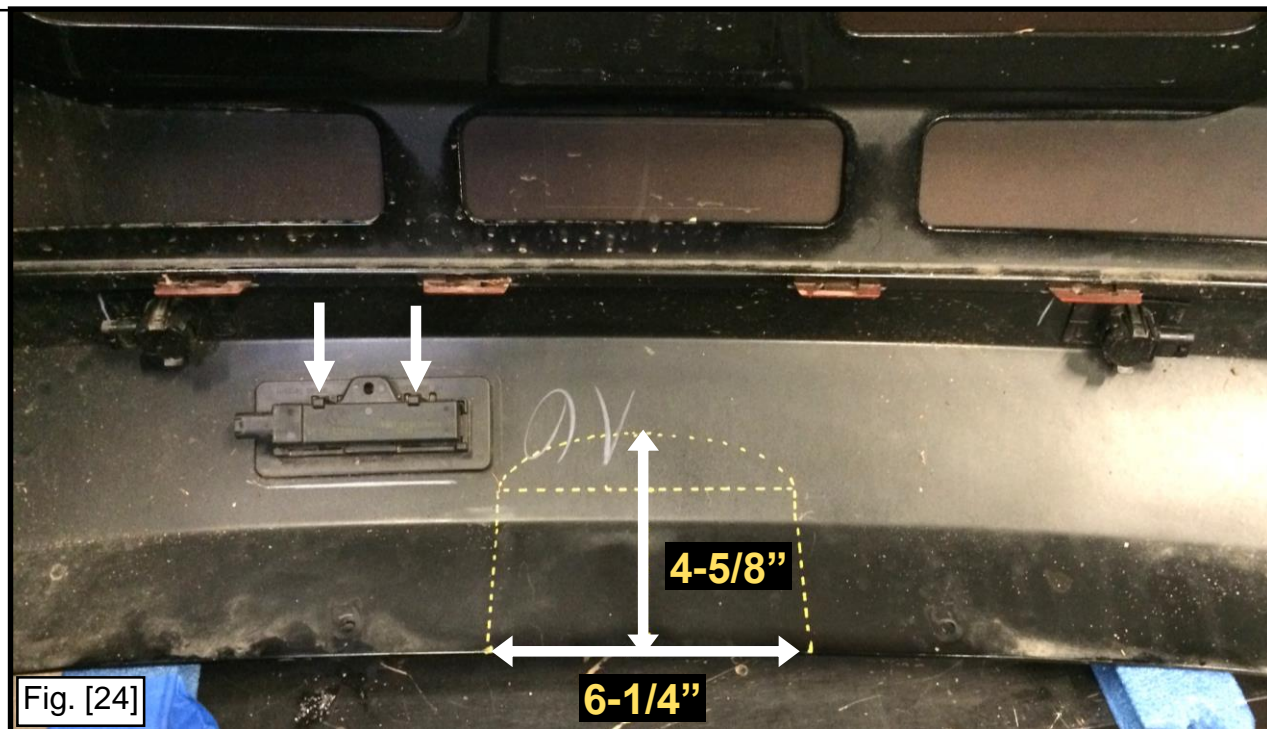
Fig. [21]

Step 14. With all the hardware hand tighten and in place, torque hardware to the following specifications:
3/8" Hardware: 33ft-lbs
5/16" Hardware: 17ft-lbs
Factory Stiffener Hardware: 33ft-lbs

Step 15. Following Figure [22] & [23], trim the wire harness holder and replace over the EcoHitch. Additional trimming may be required at your desire.



Step 16. Trim a 4-5/8" x 6-1/4" section from the center of the bumper fascia as shown in Figure [24] and apply the supplied Trim Lok. More or less trimming may be performed if you desire. You will also need to trim or break off the retaining clips that held the now relocated antenna. See Figure [24].



Step 17. After all hardware has been properly secured, reinstall the bumper fascia following these steps in reverse starting at Step 8. Be sure to reinstall the sensor wire harness on the wire harness holder.

Congratulations on the completed installation of the BMW i3 Stealth EcoHitch! It is designed with a lifetime warranty for a lifetime of enjoyment. If you have any questions or suggestions please contact our tech support at support@torkliftcentral.com or by phone at (253)-854-1832.



WARRANTY/DISCLAIMER INFORMATION

Torklift Central requires proof of purchase for warranty claim registration, with pictures of any defective product before issuing a replacement. Torklift will not accept claims on any product without proof of purchase, which can be faxed, scanned, emailed or mailed to the information provided below. Torklift Central warrants its hitches, custom hitch receivers and accessories (excluding electrical wire harnesses which carry a warranty from their specified manufacturer) from date of purchase against defects in material and workmanship under normal use and service for the ownership life of the original consumer purchaser. Torklift Central will replace free of charge any part that proves defective in material or workmanship when presented to Torklift Central, transportation charges prepaid by purchaser, at the address below. **This warranty is limited to defective parts replacement only. Labor charges and/or damage incurred in installation or replacement, as well as incidental and consequential damages connected therewith are excluded.** This warranty does not include normal wear and tear or the finish and paint. Rusting, cracking or peeling of the finish is also excluded. Some states do not allow the exclusion or limitation of incidental or consequential damages, so the above limitation or exclusion may not apply to you. Any damage to Torklift Central products as a result of misuse, abuse, neglect, accident, improper installation or any use violative of instructions furnished by Torklift Central will void the warranty. This warranty gives you specific legal rights and you may also have rights, which vary from state to state. With warranty service, you may be able to go to a small claims court, a state court or a federal district court.

Although Torklift Central trailer hitches are both tested and rated for towing within the specific capacity label found on each trailer hitch. Torklift Central assumes no liability for vehicle manufacturers warranty due to the use of a Torklift Central trailer hitch being used for towing behind any vehicle or using the trailer hitch in a manner that it was not designed for. Although this specific trailer hitch has a load rating, which includes trailer tongue weight, and a trailer weight carrying capacity, Torklift Central is not responsible for the voiding of any warranty on any vehicle due to factory towing limitations. All vehicle warranties are the sole property and responsibility of the owner of the vehicle that the Torklift Central trailer hitch is installed upon. Torklift Central does not endorse towing behind any vehicle if the vehicles manufacturer states that towing is not recommended. Check your vehicle's owner's manual for the proper tow rating of your vehicle.

ADDRESS: 315 Central Ave N. Kent, WA 98032

WARNING Your vehicle may have a lower tow rating than this trailer hitch. If your vehicle's tow rating is less than the rated towing capacity on your Torklift Central trailer hitch, your trailer hitch capacity is limited to your vehicle's factory rated towing capacity.

FOR EXAMPLE: the label on your Torklift Central trailer hitch states it's capacity is rated for 500 pounds tongue weight and 5,000 pounds towing weight. However your vehicle's factory rated towing capacity is limited to only 350 pounds tongue weight and 3,500 pounds towing weight. In this example your maximum towing capacity of your Torklift Central trailer hitch is limited to 350 pounds tongue weight and 3,500 pounds towing weight as stated by your vehicle's maximum factory tow rating.

DANGER Never exceed your vehicle's manufacturer's recommended towing capacity which may be a lower rating than this trailer hitch

Unsure of your tow rating? Download our towing app from the app store to find your vehicles tow