



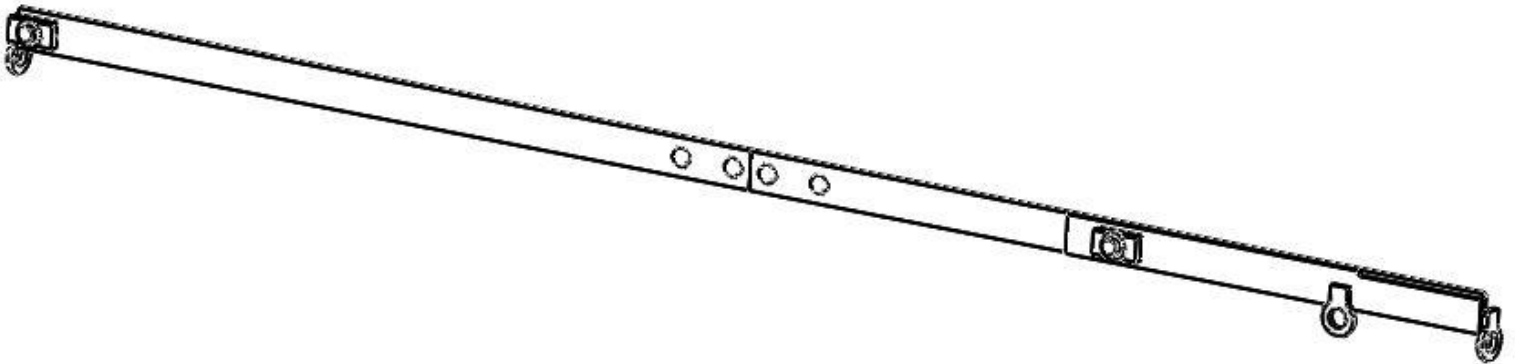
# **TORKLIFT**

## **I N T E R N A T I O N A L**

**OVER 35 YEARS OF INNOVATION, QUALITY, SAFETY.**  
**IMPORTANT OWNER-OPERATOR INSTALLATION INSTRUCTIONS**

# **A7004**

## **DUALLY ADAPTER**



REVISED vers8 BY: DSK 11/23/2015

**TECH SUPPORT (800) 246-8132**

**AFTER INSTALL, PLEASE GIVE  
THIS BOOKLET TO YOUR CUSTOMER**

# Warnings

## Truck Bed and Camper Protection

Torklift **does not** recommend installing your camper on top of a plastic bed liner (or other compressible material such as foam). These materials can act as a spring, causing increased vertical truck camper movement independent of the vehicle. Plastic bed liners can slide on the truck bed surface, and the truck camper can slide on top of the bed liner. Using a plastic bed liner or similar compressible material will void your warranty and may additionally cause truck bed and/or camper damage.

Minor movement or settling can occur in some incidental harsh driving conditions (on or off-road). A rubber bed mat is recommended to protect the truck bed and camper, but is not a requirement to maintain the Torklift legendary lifetime warranty.

## Suspension

To significantly reduce body roll, sag and sway Torklift strongly recommends the StableLoad. Torklift International StableLoads improve safety, handling, and to help level your truck. More information can be found at ([www.Torklift.com/stableload](http://www.Torklift.com/stableload)).

If your truck is additionally equipped with suspension air bags Torklift cautions against over pressurization as this may lead to unsafe vehicle handling characteristics. We have found that airbags used in conjunction with StableLoads have allowed operators to lower air bag pressure by 50% or more. Only pressurize suspension air bags enough to level the truck.

# **A7004 PARTS INVENTORY**

- 4-** Angle Iron 2" X 1-1/2" X 1/4" X 42-1/2"
- 4-** Rectangular Shim 2-1/2" X 1-1/4" X 1/2"
- 2-** 1/2" X 2" Bolt
- 2-** 1/2" X 2-1/2" Bolt
- 8-** 1/2" Flat Washer
- 4-** 1/2" Lock Washer
- 4-** 1/2" Hex Nut
- 8-** 7/16" X 1-1/2" Carriage Bolt
- 8-** 7/16" Flat Washer
- 8-** 7/16" Hex Nut
- 8-** 7/16" Lock Washer
- 2-** Stiffener Bracket 10" X 1-1/2" X 5/16"

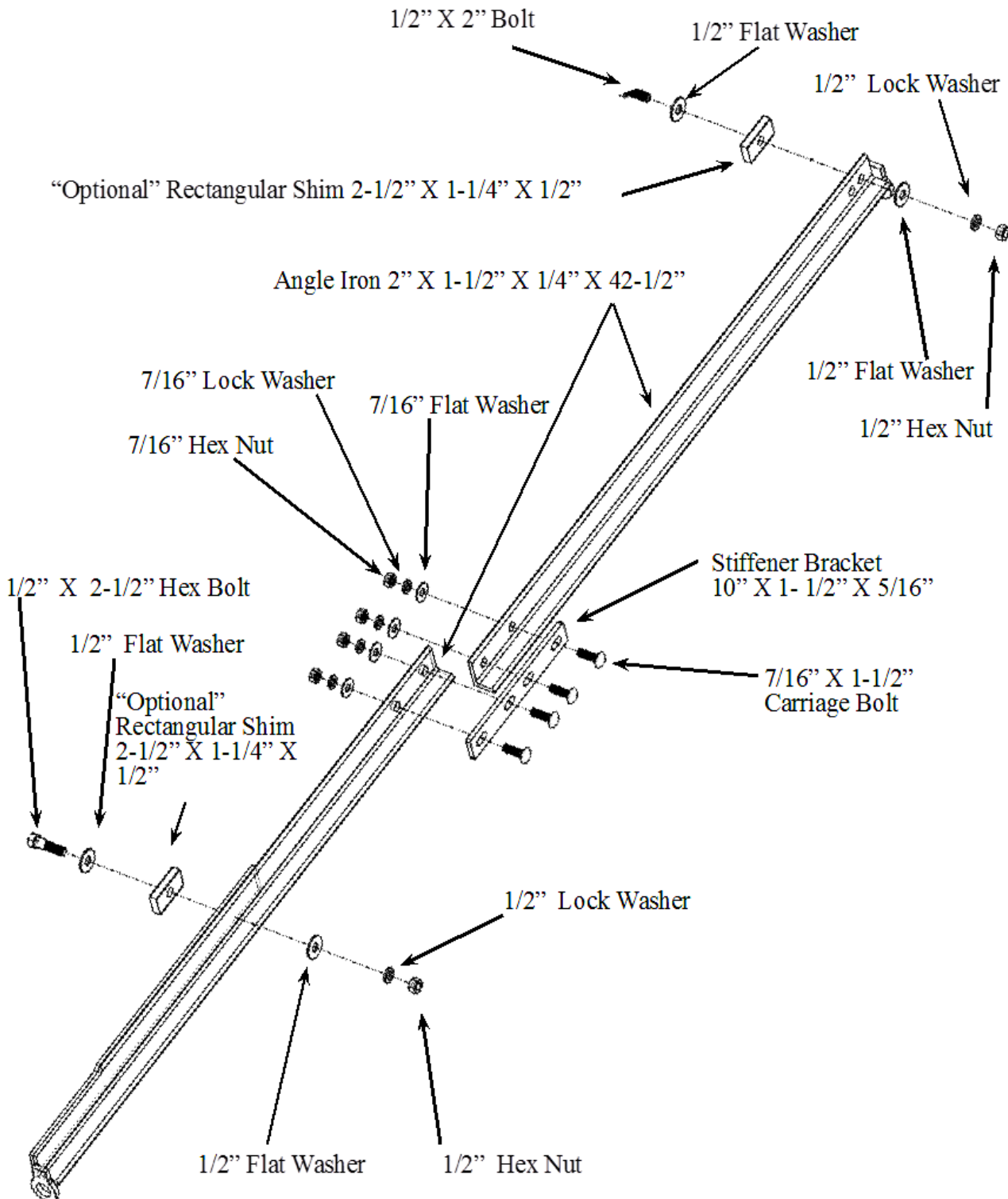
## **Addendum**

**We have added an additional anchor point eye to the rear of the adapter bracket. You can use either rear anchor point on the adapter bracket. The anchor point eye that allows for the greatest angle of pull rearward is preferred.**

# INSTALLATION INSTRUCTIONS

## Step 1-

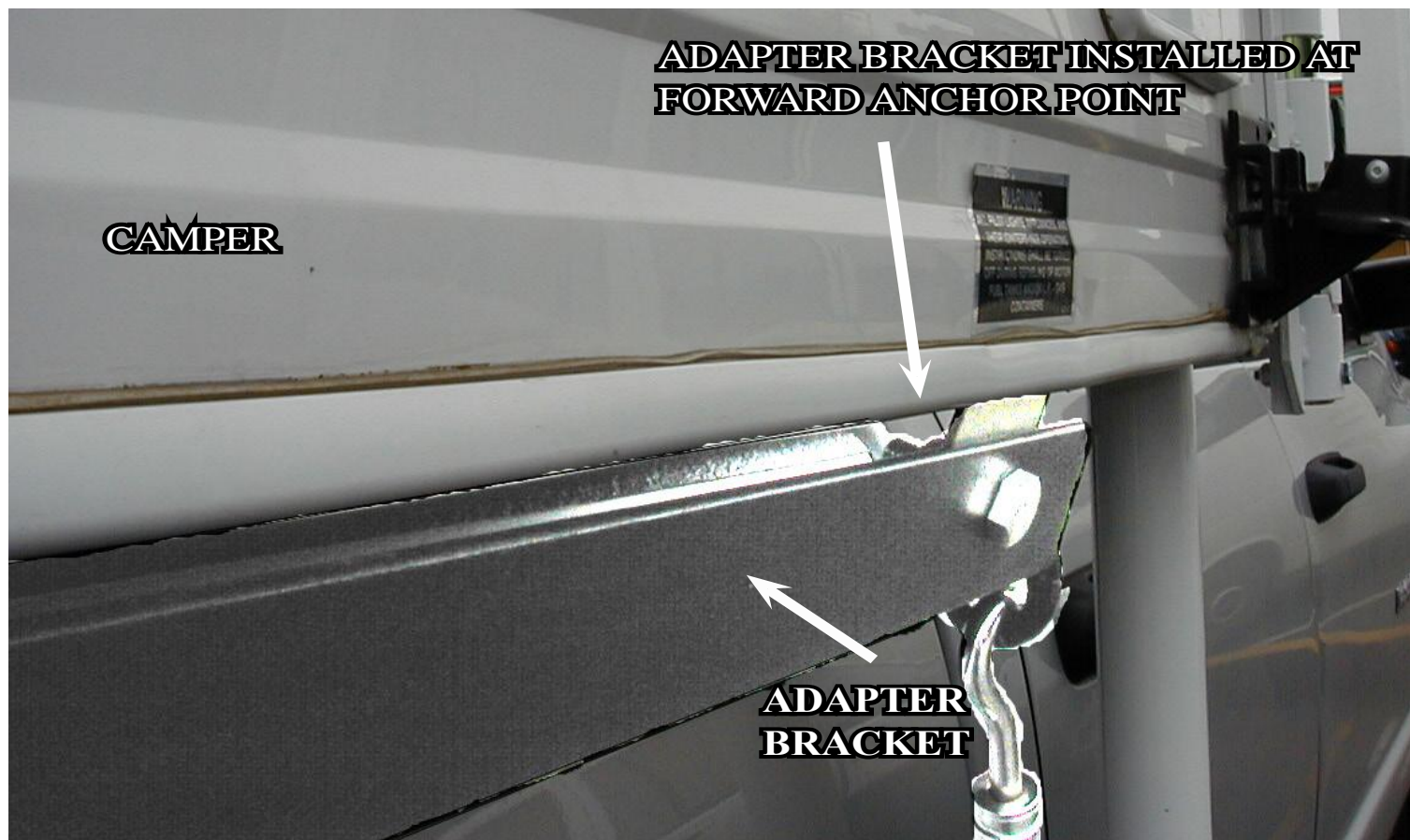
Assemble bars with provided Stiffener bracket. Use 7/16" carriage bolts, flat washers, and lock washers and nuts to attach. 1/2" fasteners are for connecting to the anchor points on the camper. See diagram below.



**NOTE:** *When using TorkLift Spring loaded Turnbuckles. Before drilling the hole to attach to your campers rear Anchor point, you will need to measure from the position of the new rear anchor point to the tie down. Ensure that you will have no less than 29”(74cm) in length between your new camper anchor and your tie down so that the turnbuckle will fit properly.*

## **Step 2-**

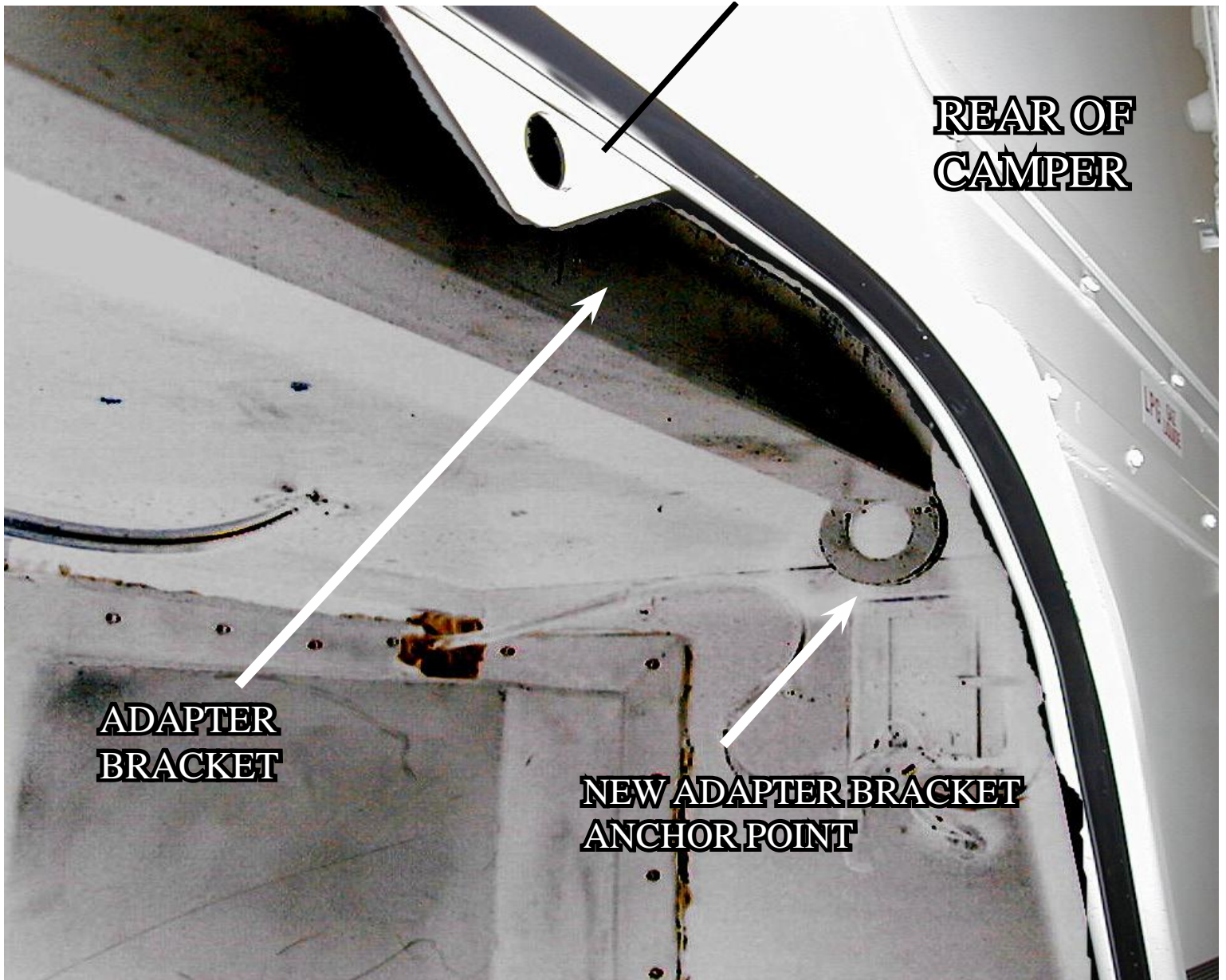
Hold bracket up to camper and bolt the adapter bracket onto the front anchor point with holes provided. Insert one 1/2” X 2” Bolt and one 1/2” Flat Washer through the adapter bracket and onto the front anchor point. Place one 1/2” Flat Washer, one 1/2” Lock Washer and one 1/2” Hex Nut and hand tighten. You will need to remove the bracket after drilling on the next step. See Picture below.



### Step 3-

Mark the rear hole to be drilled at the rear anchor point on the camper. Take the adapter bracket down and drill the hole to 17/32". See photo below.

**MARK HOLE TO DRILL REAR HOLE IN ADAPTER BRACKET.  
REAR ANCHOR POINT**

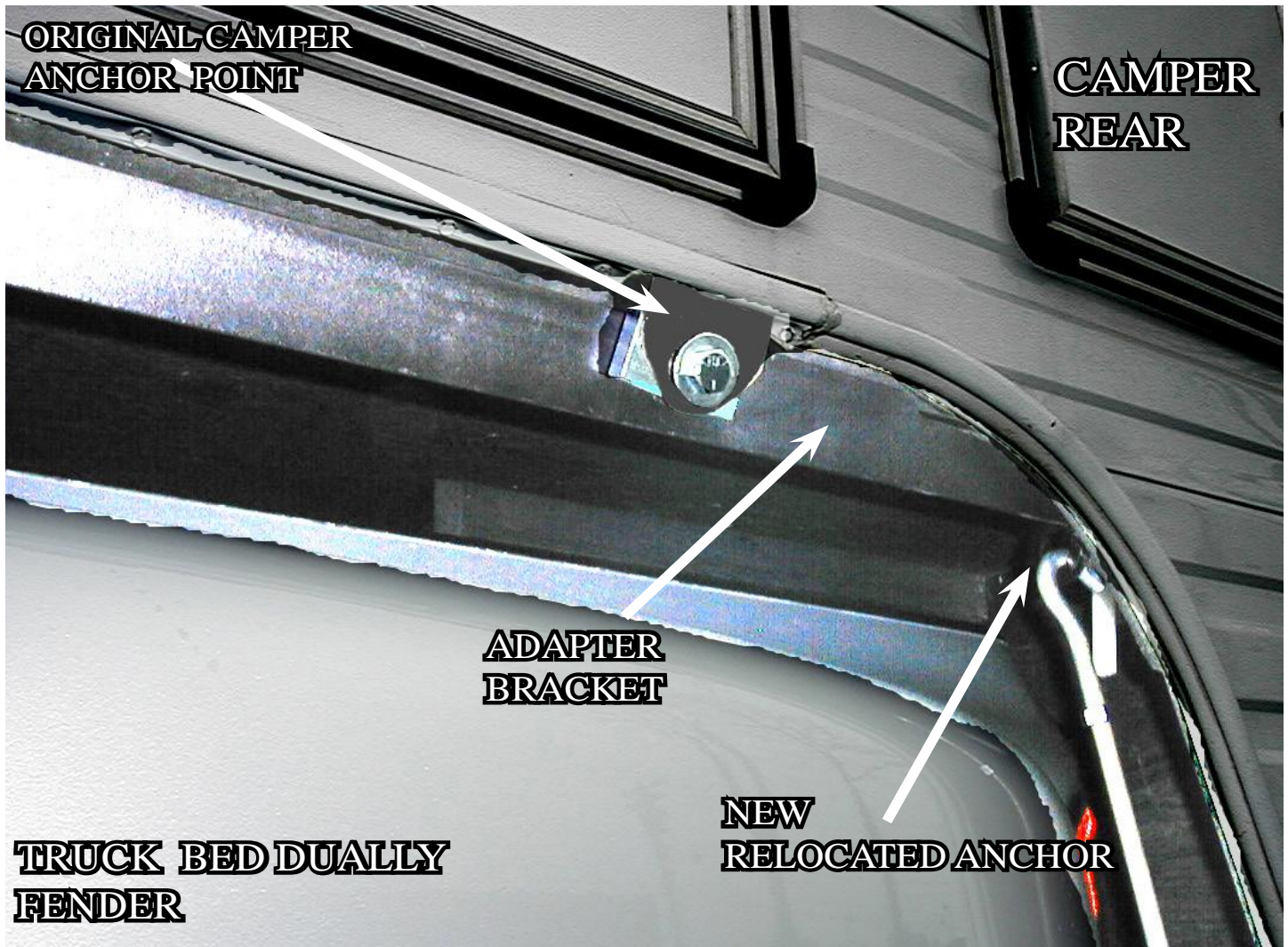


**NOTE:** Depending on your installation, using the supplied Rectangular Shim 2-1/2" X 1-1/4" X 1/2" may be required for use on the over sized holes on the camper anchors.

## Step 4-

After drilling a hole at the rear of the adapter bracket, reinstall it with the supplied remaining fasteners. Insert one 1/2" x 2-1/2" Bolt and one 1/2" Flat Washer through the adapter bracket and rear anchor point. Place one 1/2" Flat Washer, one 1/2" Lock Washer and one 1/2" Hex Nut. Tighten all fasteners to 45 ft-lbs (61 Nm).

**NOTE:** Depending on your camper you may have to use the supplied Rectangular Shim 2-1/2" X 1-1/4" X 1/2" on the outside of the Adapter to get the adapter to clear the inner wall of the camper. See photo below.



# **TorkLift International Limited Lifetime Warranty Information**

**322 N Railroad Ave. Kent, WA 98032**

Torklift will require proof of purchase to register, with pictures of any defective product before issuing a replacement. Torklift will not register any product without proof of purchase, which can be faxed, scanned, emailed, or mailed to the information provided below. Torklift warrants its hitches, custom hitch receivers, frame mounted tie downs, turnbuckles, and accessories (excluding wire harnesses which carry a 90 day warranty) from date of purchase against defects in material and workmanship under normal use and service for the ownership life of the original consumer purchaser. ALL COMMERCIAL APPLICATIONS ARE WARRANTED FOR A PERIOD OF 90 DAYS FROM THE DATE OF INSTALLATION/SERVICE. Torklift will replace FREE OF CHARGE any part, which proves defective in material or workmanship when presented to Torklift, TRANSPORTATION CHARGES PREPAID by purchaser, at the address above. THIS WARRANTY IS LIMITED TO DEFECTIVE PARTS REPLACEMENT ONLY. LABOR CHARGES AND/OR DAMAGE INCURRED IN INSTALLATION OR REPLACEMENT, AS WELL AS INCIDENTAL AND CONSEQUENTIAL DAMAGES CONNECTED THEREWITH ARE EXCLUDED. This warranty does not include the finish or paint on our products. Rusting, cracking or peeling of the finish is also excluded. Some states do not allow the exclusion or limitation of incidental or consequential damages, so the above limitation or exclusion may not apply to you. Any damage to Torklift products as a result of misuse, abuse, neglect, accident, improper installation or any use violation of instructions furnished by Torklift or WHEN USED IN ANY COMMERCIAL APPLICATION WILL VOID THE WARRANTY. This warranty gives you specific legal rights, and you may also have rights, which vary from state to state. With warranty service, you may be able to go to a small claims court, a state court or a federal district court.





**OVER 35 YEARS OF INNOVATION, QUALITY, SAFETY.**

**322 N Railroad Ave. Kent, WA 98032**

**Phone (800) 246-8132**

**Fax (253) 854-8003**

or visit our website: [www.TorkLift.com](http://www.TorkLift.com)

Dear Valued Customer,

Thank you for making TorkLift your choice for truck, camper packages and accessories for your vehicle. By choosing TorkLift products, you have chosen a company that has been serving the RV industry for nearly 40 years and whose name has become synonymous with strength, quality and advanced design and installation.

Please take a few moments of your time to complete the Product Registration Warranty Card on the next page. When registering your newly purchased TorkLift products, you can be assured that your contact information is secure and that you and your product are getting the attention and respect that you deserve.

Thank you again for choosing TorkLift quality products.

**Register for your lifetime warranty and receive a free Torklift International gift.**

To Fax: Send copies of the questionnaire, warranty card and receipt to 253-854-8003

To E-mail: Send copies of the questionnaire, warranty card and receipt to [warranty@torklift.com](mailto:warranty@torklift.com)

To Mail: Send to Torklift International 322 N Railroad Ave. Kent, WA 98032



# **TORKLIFT**

# **INTERNATIONAL**

**OVER 35 YEARS OF INNOVATION, QUALITY, SAFETY.**

## **OFFICIAL WARRANTY REGISTRATION CARD**

PLEASE FILL OUT THIS FORM COMPLETELY AND RETURN TO TORKLIFT WITHIN  
30 DAYS OF PURCHASE ACCOMPANIED BY A COPY OF YOUR ORIGINAL RECEIPT

**TODAY'S DATE:** \_\_\_\_\_

### **1. PART(S) PURCHASED**

PART#: \_\_\_\_\_ PART#: \_\_\_\_\_  
PART#: \_\_\_\_\_ PART#: \_\_\_\_\_

### **2. PURCHASER INFORMATION**

NAME: \_\_\_\_\_

ADDRESS: \_\_\_\_\_  
\_\_\_\_\_

CITY: \_\_\_\_\_ STATE: \_\_\_\_\_ ZIP / POSTAL CODE: \_\_\_\_\_

PHONE: (\_\_\_\_) \_\_\_\_\_ - \_\_\_\_\_ EMAIL: \_\_\_\_\_

### **3. TRUCK INFORMATION**

YEAR: \_\_\_\_\_ MAKE: \_\_\_\_\_

MODEL: \_\_\_\_\_ BED LENGTH: \_\_\_\_\_

### **4. CAMPER INFORMATION**

YEAR: \_\_\_\_\_ MAKE: \_\_\_\_\_ MODEL: \_\_\_\_\_

### **5. DEALER INFORMATION**

PURCHASED FROM: \_\_\_\_\_

ADDRESS: \_\_\_\_\_

CITY: \_\_\_\_\_ STATE: \_\_\_\_\_ ZIP / POSTAL: \_\_\_\_\_

INSTALLED BY:  OWNER  ABOVE DEALER  ANOTHER DEALER

IF ANOTHER DEALER, WHO: \_\_\_\_\_