

⚠️ WARNING

Failure to comply with the safety information in these instructions could result in serious injury or death.

- ⚠️ Always perform a visual inspection of hitch components and attachment before towing.
- ⚠️ Without proper knowledge, towing can be a dangerous activity. Understand all the risks involved with towing before proceeding. For information on towing safety, see **"The Trailer Handbook: A Guide to Understanding Trailer and Towing Safety"** from the National Association of Trailer Manufacturers, www.NATM.com and your trailer manufacturer's owner's manual.
- ⚠️ The Gooseneck OEM Ball and Safety Chain Kit comes equipped with a 2-5/16" ball. Trailers towed with the ball provided must have a 2-5/16" coupler. Towing with a larger coupler could cause loss of attachment between the trailer and the tow vehicle.
- ⚠️ Do not exceed tow or tongue rating of coupler, tow or tongue rating of hitch, or tow or weight ratings of truck or trailer. See vehicle and trailer manufacturer information for ratings. Exceeding these ratings may cause damage to towing components or loss of attachment between the trailer and truck.
- ⚠️ Do not modify this product in any manner. Doing so could alter its integrity and lead to a loss of attachment between the trailer and the tow vehicle.
- ⚠️ This product is designed to provide a 2-5/16" ball for attaching gooseneck trailers and safety chain anchors for attaching safety chains to your truck. Do not use this product for any other purpose.
- ⚠️ Use this product only for truck models specified by B&W. Visit www.bwtrailerhitches.com for model chart to verify fit information for part **GNXA2062**. Failure to match the kit to the correct application will result in incorrect fit and orientation of product.

GNXA2062

GOOSENECK OEM BALL AND SAFETY CHAIN KIT

30,000 lbs GTW

2-5/16" BALL INSTALLATION:

- Remove any plug or cap that may be over the ball socket in the middle of the truck bed.
- With the handle of the 2-5/16" ball in the unlocked position, lower the ball shank into the ball socket.
- To put the 2-5/16" ball into the locked position unlatch the handle by using the lever on the handle, then rotate the handle down until it latches.
- When properly locked, the 2-5/16" ball may rotate in the socket, but will not lift out.

REMOVAL AND STORAGE:

- To remove the 2-5/16" ball from the bed, unlatch the handle with the lever, and move the handle to the unlocked position as shown.
- With the handle in the unlocked position, place 2-5/16" ball back into the protective case.
- Store 2-5/16" ball in case when not towing. Insert the provided socket plug into the ball socket to keep it clean.

SAFETY CHAIN ANCHOR INSTALLATION:

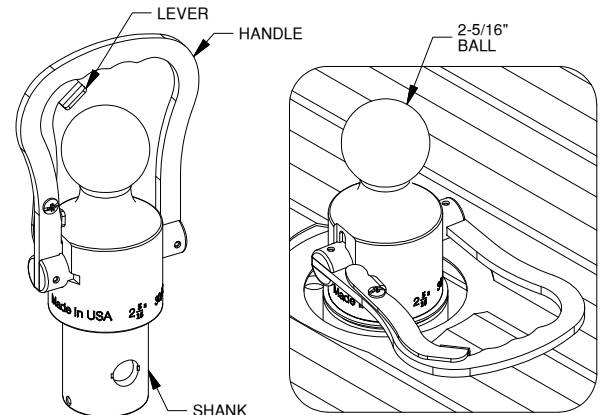
- Remove any plugs or caps over the safety chain attachment points (Rearward of the ball location).
- Lift latching mechanism and turn loop while holding the base to put the anchor in the unlocked position as shown.
- Insert the latch cam into the attachment point slot.
- Turn the loop 90° until the latch mechanism rotates down into the locked position as shown.

REMOVAL AND STORAGE:

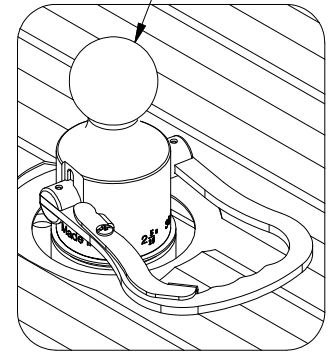
- Lift the latching mechanism and turn the loop to the unlocked position.
- Remove safety chain anchor and return it to the locked position.
- Store safety chain anchors in protective case and replace caps in the bed over the attachment points when not towing.

NOTICE:

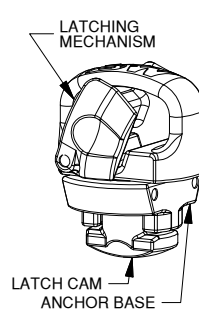
- Extended exposure to debris and moisture may cause corrosion to the 2-5/16" ball and safety chain anchors. Ball and anchors should be cleaned, working parts should be lubricated with a light oil, and stored in protective case when not in use to extend the life and function of moving parts. Store case in a dry location out of the elements.



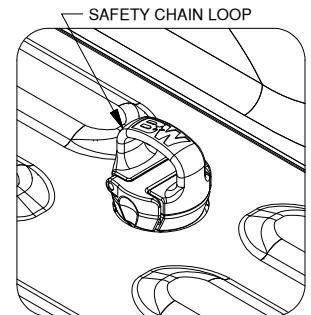
UN-LOCKED



LOCKED



UN-LOCKED



LOCKED

BW
TRAILER HITCHES

1216 Hawaii Road
PO Box 186
Humboldt, KS 66748
Phone: 800.473.3664
800.248.6564
www.bwtrailerhitches.com

LBL-020-0002, REV A