

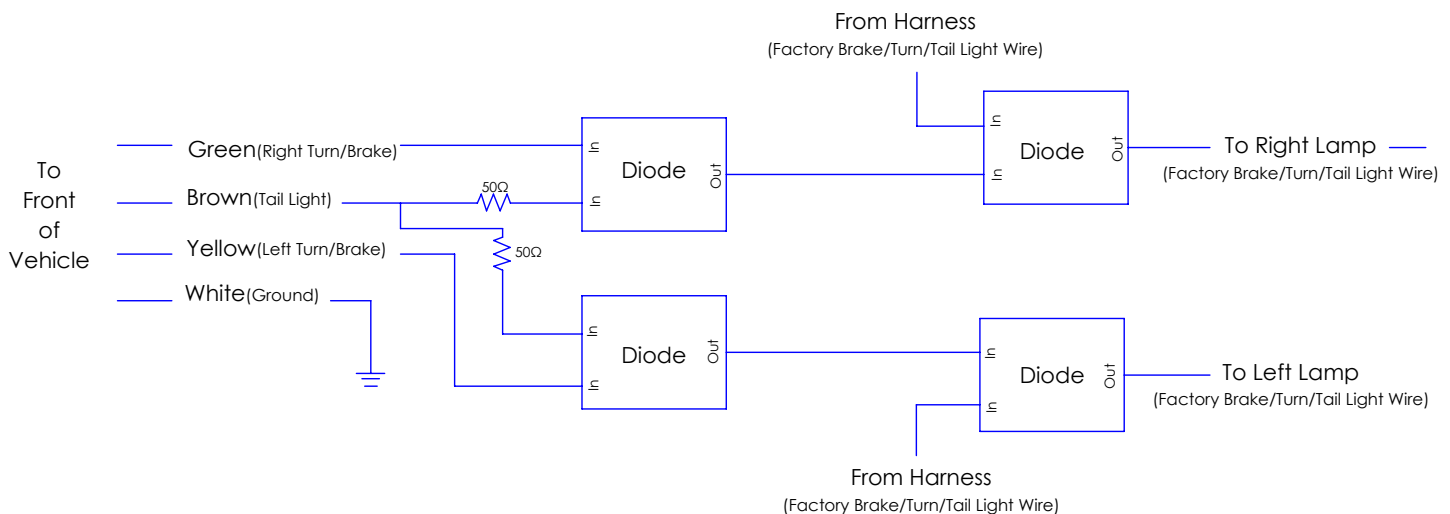


BX88334

4 Diode with 50 Ohm Resistors Wiring Kit Installation Instructions

WARNING: Incorrect wiring may result in blown fuses, damaged wiring, fire, or bodily injury. Blue Ox recommends installation of this kit by a trained professional. Blue Ox will not be responsible for any personal property damage, or bodily injury caused by incorrect wiring or misuse of this product.

1. Remove the vehicles tail light housings on both the driver and passenger side by removing the fasteners holding them into place. Pull the tail light housings away from the vehicle, being careful not to break the alignment tabs or housing.
2. Using a 12V continuity tester, identify the “hot” wires which power the brake lights.
NOTE: The vehicle lights must be on in order for wires to be “hot”.
3. After all the light wires are identified and marked, shut off the power to the wires. Cut each wire roughly in the middle, leaving enough room to strip the ends of the wires and attach the supplied female couplings.
4. Starting on the passenger side, attach the couplings to the appropriate wires and to one end of the 12’ green and brown wires. Plug the corresponding ends into the diode blocks. Reinstall the passenger side housing.
5. Securely route the 12’ wires over to the driver side housing.
6. On the driver side attach the couplings to the appropriate wires, tying both the 12’ brown wire and the brown wire from the 26’ harness together. Connect the open end of the 12’ green wire to the green wire of the 26’ harness with the butt connector. Plug the corresponding ends into the diode blocks
7. Secure the ground wire to a metal part of the chassis using the provided self tapping screw. (It is recommended to attach the ground behind the driver side tail light housing)
8. Reinstall the driver side housing. Secure any excess wiring and route the wiring harness to the front of the vehicle.
9. Run the wire harness to the front of the vehicle and insert into the plug. Check the operation of all signals.



BX88334
4 Diode with 50 Ohm Resistors Wiring Kit
Installation Instructions

Tools Required
12V Continuity Tester
Wire Stripper
Wire Cutter
Terminal Crimper

| Item No. | Part No. | Description | Qty. |
|----------|----------------|--|------|
| 1..... | 194-0296 | 26' Wiring Harness with Resistors | 1 |
| 2..... | 294-0398 | Female Terminal Coupling, 22-18 Ga | 4 |
| 3..... | 201-0654 | #10-16 x 1" Self Drilling Screw | 1 |

194-0296 (26' Wiring Harness with Resistors)

| Item No. | Part No. | Description | Qty. |
|----------|----------------|---|------|
| 1..... | 294-0562 | 26' Wire Harness | 1 |
| 2..... | 294-1118..... | 50 Ohm Resistor | 2 |
| 3..... | 294-0660 | Diode Module, 6 Amp | 4 |
| 4..... | 294-0398 | Female Terminal Coupling, 22-18..... | 8 |
| 5..... | 294-0187 | 5/16" Standard Ring Terminal, 16-14 GA..... | 1 |
| 6..... | 194-0297 | 16 GA Brown Wire, 3" | 3 |
| 7..... | 194-0298 | 16 GA Brown Wire, 134" | 1 |
| 8..... | 294-0250 | Butt Connector, 16-14 GA | 1 |
| 9..... | 194-0299 | 16 GA Green Wire, 138" | 1 |
| 10..... | 194-0300 | 16 GA Green Wire, 7" | 1 |
| 11..... | 194-0301 | 16 GA Yellow Wire, 7" | 1 |

CUSTOMER SERVICE COMMITMENT

Blue Ox® is committed to providing you with exceptional customer care throughout your lifetime with our products. Our team is here to assist you with any questions you may have regarding the performance of your product. Simply call (402) 385-3051 and you can speak with our technical service team.

Additionally, please visit our website to see which rallies our Destination America team will be attending. For a nominal fee, our service technician will service your towing system to ensure it's in proper working condition. Also, as a commitment to our customers, should you visit our factory, you can stay at our full service Blue Ox® campground at no charge along with enjoying a factory tour.

Again, thank you for being our customer and for the confidence you have shown in the performance of our products. It is because of customers like you we enjoy the success we have today.

© 2015 Blue Ox
One Mill Road, Industrial Park
Pender, Nebraska 68047
Phone: (402) 385-3051
Fax: (402) 385-3360
www.blueox.com