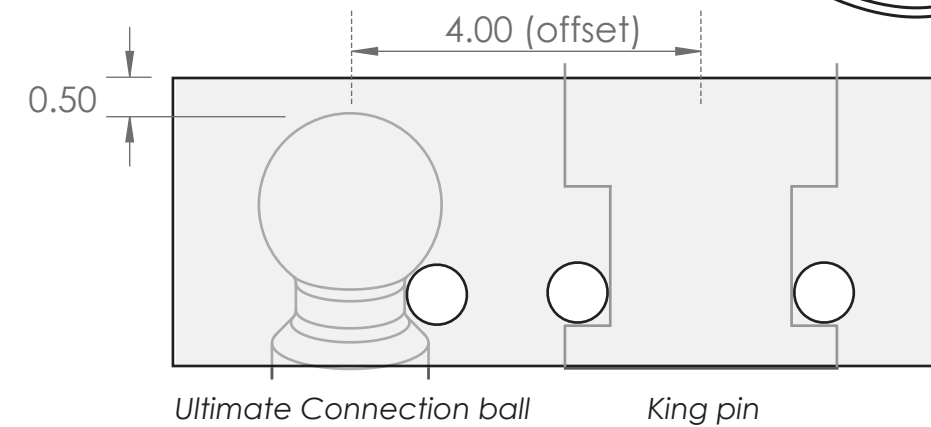
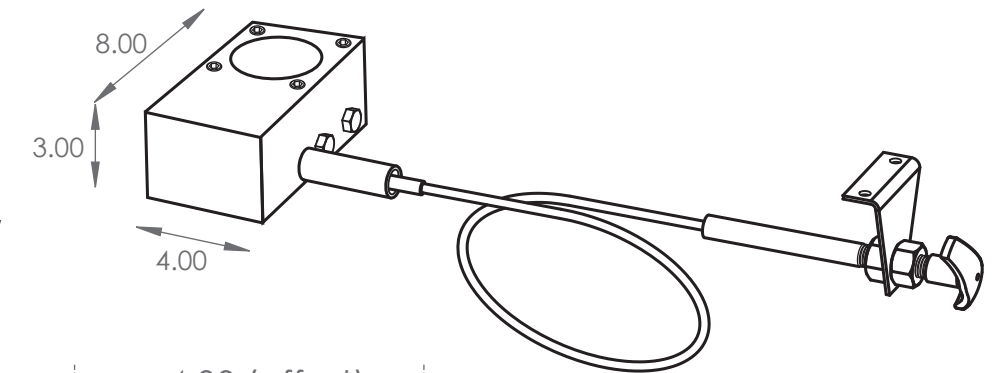


**Kingpin Coupler Block**



		UNLESS OTHERWISE SPECIFIED:		NAME	DATE	PART #: <b>3220</b>	
		DIMENSIONS ARE IN INCHES		DRAWN	AP	4-21-16	TITLE:
		TOLERANCES:		CHECKED			<b>ALUMINUM ULTIMATE CONNECTION 2</b>
		FRACTIONAL: ±		ENG APPR.			
		ANGULAR: MACH ± BEND ±		MFG APPR.			SIZE DWG. NO. REV
		TWO PLACE DECIMAL ±		Q.A.			<b>B</b>
		THREE PLACE DECIMAL ±		COMMENTS:			
		INTERPRET GEOMETRIC TOLERANCING PER:					
		MATERIAL					
NEXT ASSY	USED ON	FINISH					
APPLICATION		DO NOT SCALE DRAWING					
						WEIGHT:	SHEET 1 OF 1