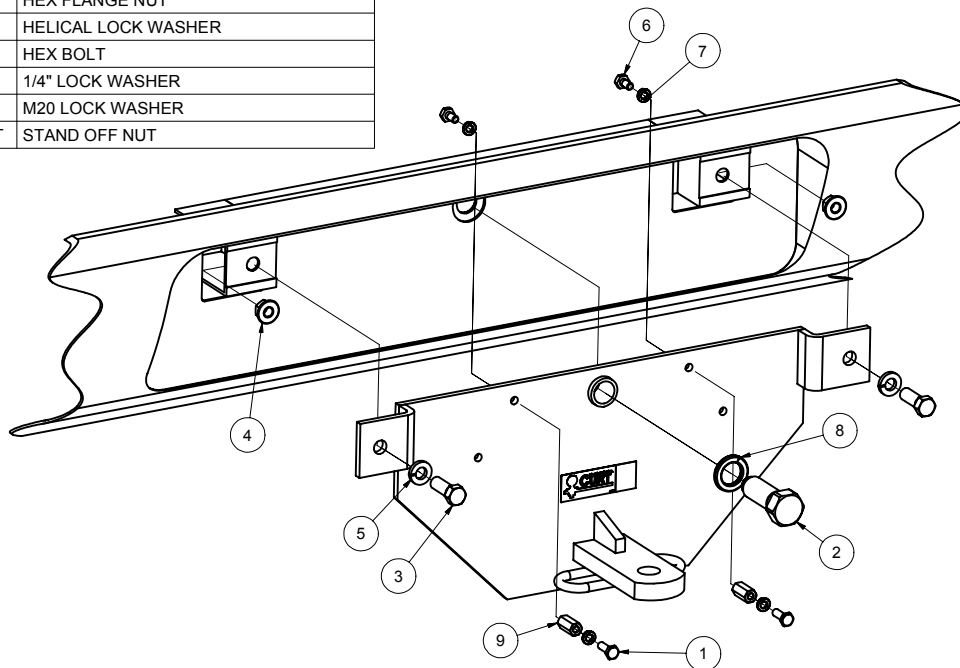


**GROSS LOAD CAPACITY WHEN USED AS A WEIGHT CARRYING HITCH: 1000 LBS. TRAILER WEIGHT & 100 LBS. TONGUE WEIGHT.
 DO NOT EXCEED VEHICLE MANUFACTURER'S RECOMMENDED TOWING CAPACITY.**

Parts List			
ITEM	QTY	PART NUMBER	DESCRIPTION
1	2	1_4 - 20 x 3_4 HEX	HEX BOLT
2	1	M20 - 3.0 X 57	TOW LOOP BOLT
3	2	7/16-14 x 1 1/4	HEX BOLT
4	2	7/16-14	HEX FLANGE NUT
5	2	7/16	HELICAL LOCK WASHER
6	2	1_4 - 20 X 1_2	HEX BOLT
7	4	1_4 LOCK WASHER	1/4" LOCK WASHER
8	1	M20 LOCK WASHER	M20 LOCK WASHER
9	2	1_4 - 20 X 7_8 HEX STAND OFF NUT	STAND OFF NUT



HITCH WEIGHT: 11.5 LBS.

INSTALL TIME: 45 MINUTES

INSTALL NOTES:

**DRILLING
 REQUIRED**

INSTALLATION STEPS

1. Remove license plate and bracket from bumper.
2. Remove bumperette covers on each side of the license plate.
3. Using the 1/4" x 1/2" bolts (Item #6) and 1/4" lock washer (Item #7) attach the stand off nuts to the front of the hitch plate as shown. (Torque to 8 ft-lbs)
4. Attach the hitch to the car with the 20mm bolt as shown.
5. Using the hitch as a template, drill holes in the bumper brackets for the 7/16" hardware.
6. Install all 7/16" hardware as shown.
7. Starting with the 20mm bolt torque all hardware to the following specifications.
 20 mm = 293 ft-lbs
 7/16" = 50 ft-lbs
8. Reattach license plate to the hitch, on the stand off nuts, using the remaining hardware.

**PERIODICALLY CHECK THIS RECEIVER HITCH TO INSURE THAT ALL FASTENERS
 ARE TIGHT AND THAT ALL STRUCTURAL COMPONENTS ARE SOUND.**