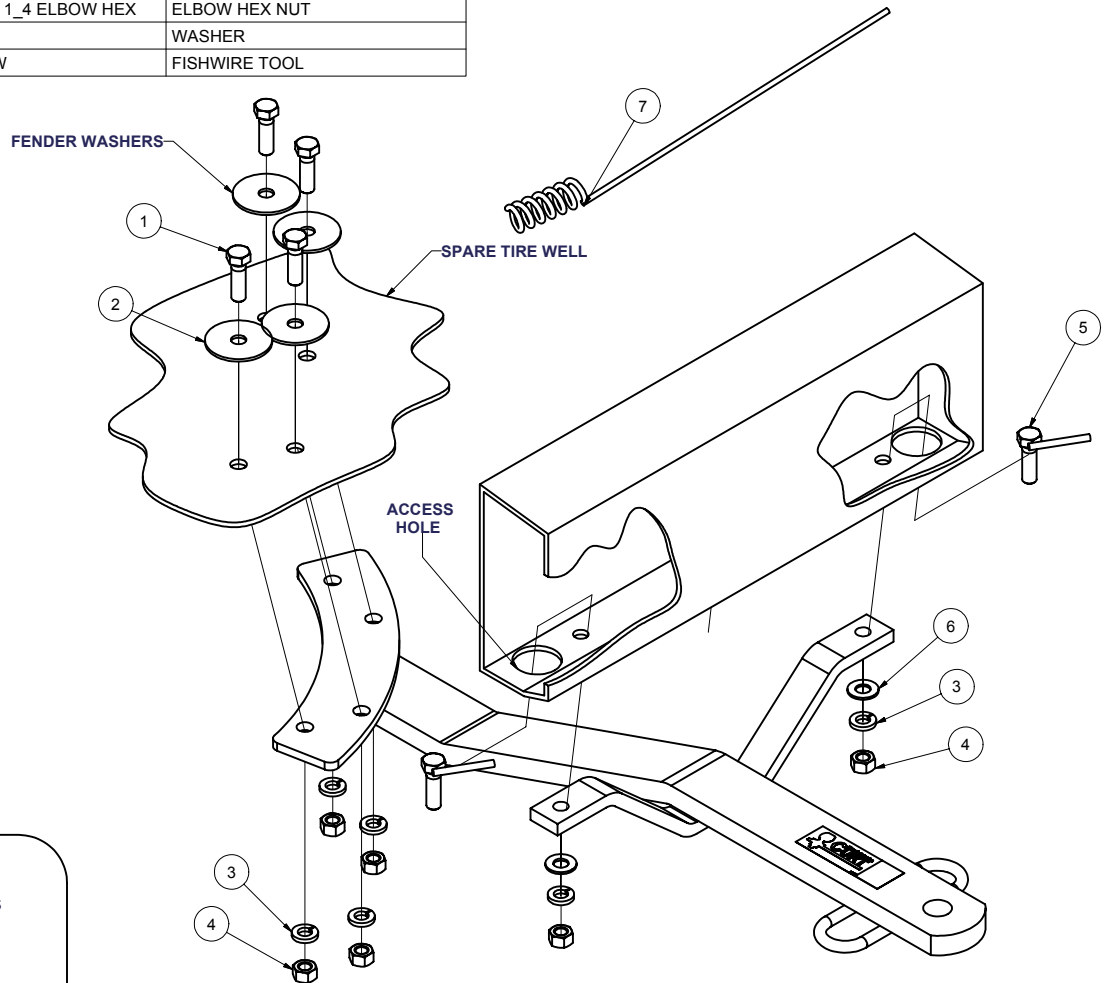


GROSS LOAD CAPACITY WHEN USED AS A WEIGHT CARRYING HITCH: 1,500 LBS. TRAILER WEIGHT & 150 LBS. TONGUE WEIGHT.
*****DO NOT EXCEED VEHICLE MANUFACTURER'S RECOMMENDED TOWING CAPACITY.*****

Parts List			
ITEM	QTY	PART NUMBER	DESCRIPTION
1	4	3/8 - 16 x 1 1/4	HEX BOLT
2	4	3/8"	FENDER WASHER
3	6	3/8"	LOCK WASHER
4	6	3/8 - 16	HEX NUT
5	2	3_8 - 16 x 1 1_4 ELBOW HEX	ELBOW HEX NUT
6	2	3/8"	WASHER
7	1	CM-.375-FW	FISHWIRE TOOL



HITCH WEIGHT: ___ LBS.

INSTALL TIME: 30 MINUTES

INSTALL NOTES:

DRILLING REQUIRED

INSTALLATION STEPS

- 1) This hitch mounts to the bottom of the bumper and to the bottom of the spare tire well.
- 2) Remove spare tire and clear tire well. Center and square hitch to care with bumper brackets against bumper and tail bracket on tire well. Using the hitch as a template, drill car for fasteners. Also drill 1" access hole on bottom of bumper for fishwiring fasteners into the bumper.
- 3) Fishwire fasteners in not position as shown. Snug fasteners but do not yet fully tighten,
- 4) Using hitch as a template, drill the tire well for 3/8" fasteners. Install fasteners. Note that the fender washers go inside the tire well.
- 5) Torque all 3/8" fasteners 30 lb-ft.

PERIODICALLY CHECK THIS RECEIVER HITCH TO INSURE THAT ALL FASTENERS ARE TIGHT AND THAT ALL STRUCTURAL COMPONENTS ARE SOUND.