

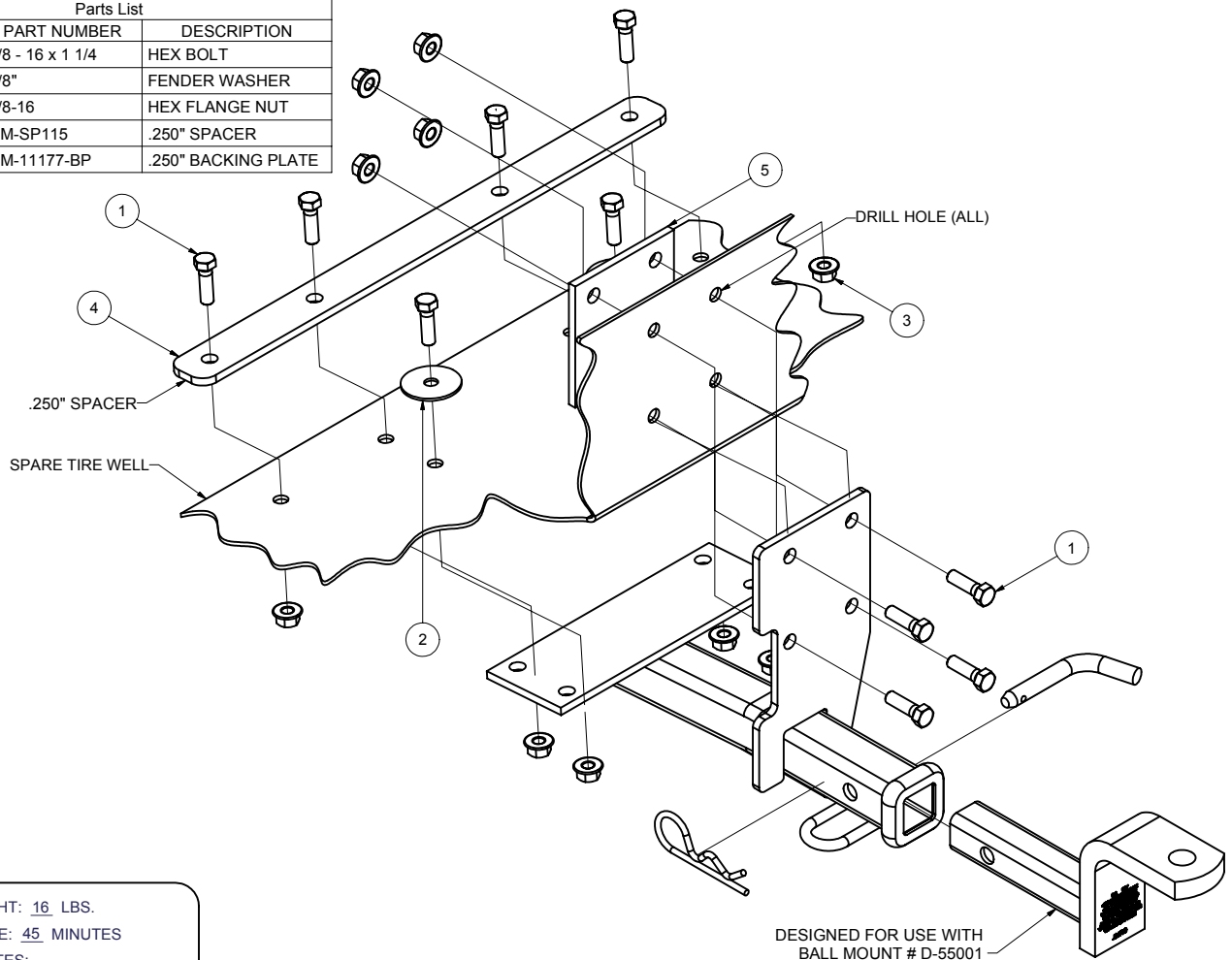
# 11177 / 247258

1992-98 BMW SERIES, M3 2DR COUPE, 4DR SEDAN,  
1999 BMW 300 SERIES, M3 2 DR COUPE,  
1994-99 BMW 300 SERIES CONVERTIBLE

8/6/2009

GROSS LOAD CAPACITY WHEN USED AS A WEIGHT CARRYING HITCH: 2000 LBS. TRAILER WEIGHT & 200 LBS. TONGUE WEIGHT.  
**\*\*\*DO NOT EXCEED VEHICLE MANUFACTURER'S RECOMMENDED TOWING CAPACITY.\*\*\***

Parts List			
ITEM	QTY	PART NUMBER	DESCRIPTION
1	10	3/8 - 16 x 1 1/4	HEX BOLT
2	2	3/8"	FENDER WASHER
3	10	3/8-16	HEX FLANGE NUT
4	1	CM-SP115	.250" SPACER
5	1	CM-11177-BP	.250" BACKING PLATE



HITCH WEIGHT: 16 LBS.  
INSTALL TIME: 45 MINUTES  
INSTALL NOTES:  
DRILLING REQUIRED

## INSTALLATION STEPS

- 1) Remove the spare tire and the contents of trunk area. Note: some late models have an "emissions" charcoal canister in the spare tire well. If after removing the tire, there is a dome shaped cover exposed, remove retaining nuts and dome, carefully block canister up from floor for drilling holes. **(Note: On M3 models trim fascia and retainer as necessary to clear vertical hitch plate before installation.)**
- 2) At the rear bumper, remove the lower bumper fascia panel only. It will release at clips (and screws on M3). Position the hitch on car as shown, with hitch level and square with the car. Hitch tail bracket will fit between tire well ribs. Use hitch as a template to mark and drill the mounting holes.
- 3) Fasten hitch to car as shown using the previously drilled holes.
- 4) From inside the car drill the remaining holes needed using the .250" spacer and backing plate as templates. When drilling is complete install fasteners as shown.
- 5) Torque all hardware to 30 lb.-ft. Reinstall all components that were previously removed for hitch installation.

**PERIODICALLY CHECK THIS RECEIVER HITCH TO ENSURE THAT ALL FASTENERS ARE TIGHT AND THAT ALL STRUCTURAL COMPONENTS ARE SOUND.**

Curt Manufacturing Inc., warrants this product to be free of defects in material and/or workmanship at the time of retail purchase by the original purchaser. If the product is found to be defective, Curt Manufacturing Inc., may repair or replace the product, at their option, when the product is returned, prepaid, with proof of purchase. Alteration to, misuse of, or improper installation of this product voids the warranty. Curt Manufacturing Inc.'s liability is limited to repair or replacement of products found to be defective, and specifically excludes liability for incidental or consequential loss or damage.