



## BX3809 Installation Instructions All Years Volkswagon Superbeetle

1. Read the General Instruction Sheet included with this baseplate.
2. The baseplate mounts to the front underside of the car with the open side of the channel facing up and straddling the anti-roll bar (see illustration).
3. Remove the bolts shown in the illustration. On some models there will be six bolts, while on others there will be eight.
4. Position the baseplate and hand start the new bolts with lock washers to check hole alignment.
5. When all bolts align, tighten securely.
6. The dimensional variations between otherwise identical cars can be considerable. While the location and size of the holes in the baseplate were designed to facilitate easy installation, it may be necessary to file a hole slightly to allow a bolt to clear.
7. Install the tow bar and safety cables according to the instructions included in their packages.
8. Do not substitute other devices if the pin and clip are lost.
9. DEALER OR INSTALLER: BE CERTAIN THE USER RECEIVES THE INSTRUCTION SHEET.

### Tools Required

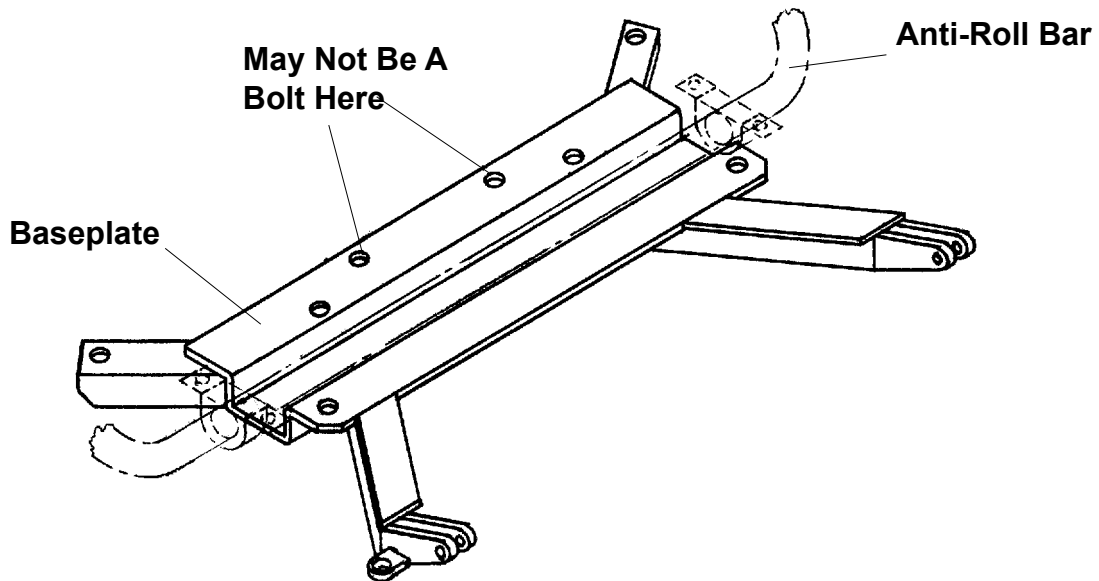
3/4 Socket

13mm Socket

17mm Socket

### Parts List

Ref. No.	Qty.	Part No.	Description
1	1	61-3530	Baseplate, BX3809
2	2	201-0418	8mm-1.25 x 35mm Hex Head Bolt
3	2	201-0431	10mm-1.5 x 85mm Hex Head Bolt
4	2	203-0102	8mm Lock Washer
5	2	203-0104	10mm Lock Washer



# Automatic