



Strong As An Ox™

## BX3751 Installation Instructions

2003 Toyota Corolla S

Serial No.

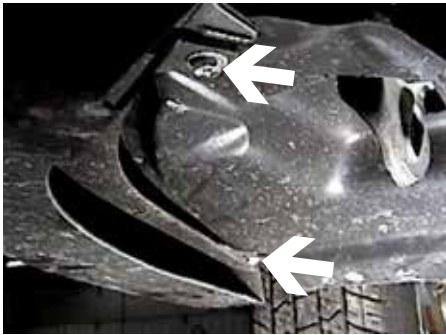
The front fascia is removed for baseplate installation. Drilling is required. **No** trimming of fascia is required. The BX8869 is available for the vehicle. Attachment Tabs are 22 inches center to center and a height of 13 inches. **NOTE:** Vehicle frame is not center on vehicle. Attachment Tab receiver tubes are offset on baseplate to align with the center of vehicle.



1. Using the phillips screw driver, remove the two phillips screws with rubber pads and one push pin from the top side of fascia.



2. Remove two push pins from the bottom side of metal bumper.



3. Just forward of front tires, on bottom side of fascia, remove two metric bolts with the 10MM socket, both sides.



4. Using the 10MM socket, remove metric bolt from front fascia's corner, just inside wheel well, both sides. Pull fascia forward and set aside.



5. Drill 1 1/4" hole on the outside of frame rail just behind metal bumper, using the 1 1/4" hole saw, both sides.



6. Align baseplate to the inside and bottom of frame rails (View from underside of frame on passenger's side). Secure to bottom side of frame with large clamps, both sides.



Strong As An Ox™



7. Adjust baseplate to 2 1/4" from the front of metal bumper to the end of attachment tab receiver tubes, both sides. This will align the baseplate to the offset metal bumper.



9. Drill remaining 4 holes on baseplate. Passenger's side will require deep well socket (or a piece of tubing) on the drill bit to protect coolant line while drilling. Insert nut plate into 1 1/4" hole (drilled in step 5). Then align with drilled 13/32" holes, install bolts and lock washers, tighten all 4 bolts. **Be sure and use loctite on all bolts before tightening. Tighten all bolts according to Torque Chart in General Instruction Sheet.**



8. Using baseplate as a template, drill two holes into bottom of frame with the 13/32" drill bit, both sides. Insert nut plates into drilled 1 1/4" holes (drilled in step 5). Then align with drilled holes. Install bolts and lock washers into nut plate, tighten 2 bolts, both sides. **Be sure and use loctite on all bolts before tightening. Tighten all bolts according to Torque Chart in the General Instruction Sheet.**



*Location of the BX8869, on the bottom of the driver's side tail light assembly.*

10. Reinstall front fascia. Be sure all electrical components are plugged in properly.
11. The dimensional variations between otherwise identical cars can be considerable. While the location and size of the holes in the baseplate were designed to allow for easy installation, it may be necessary to file a hole slightly to allow a bolt to clear.
12. Install the tow bar and safety cables according to the instructions included in their packages.
13. Do **not** substitute other devices if the tow bar pin and clip are lost.
14. **DEALER OR INSTALLER: BE CERTAIN THE USER RECEIVES THE INSTRUCTION SHEET.**



## Tools Required

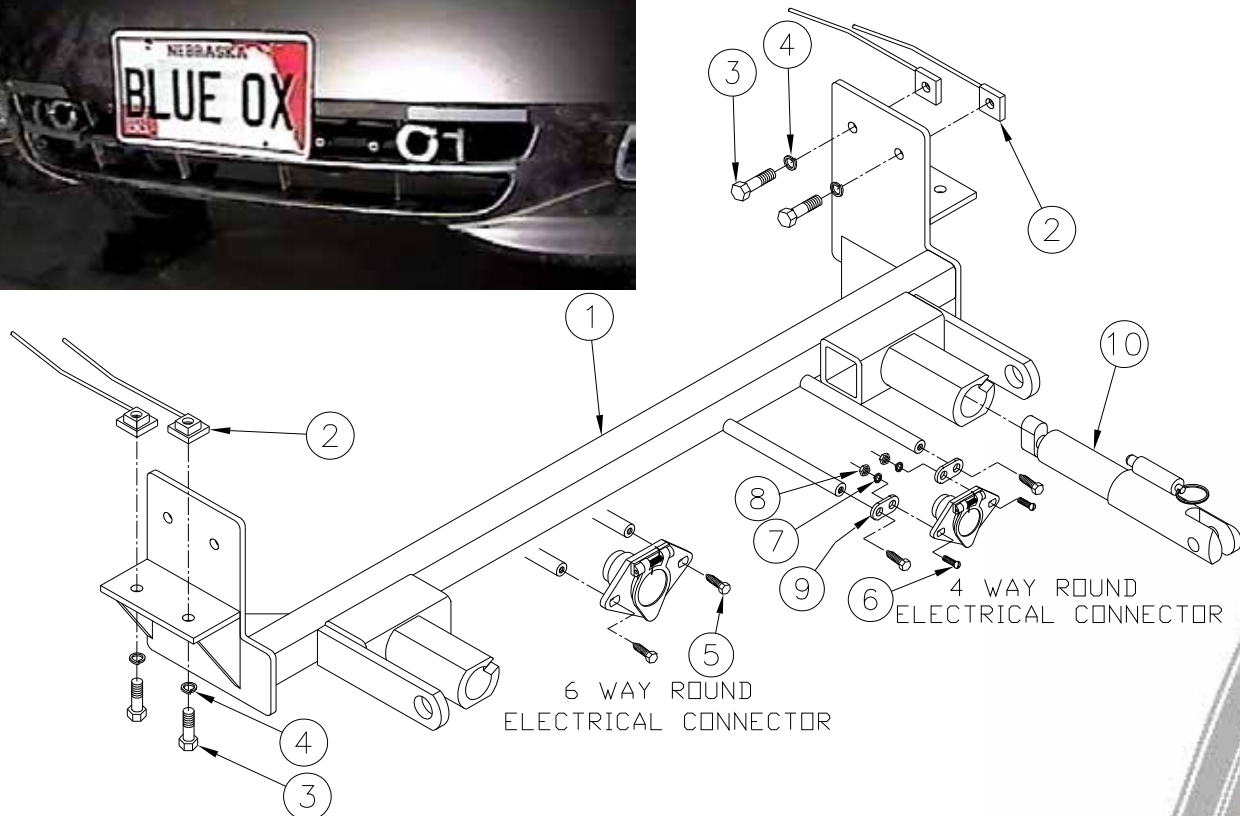
9/16" Socket  
13/32" Drill Bit  
Phillips Screw Driver

Loctite  
1 1/4" Hole Saw  
Large Vise Grips

10MM Socket  
Tape Measure

## Parts List

Ref. No.	Qty.	Part No.	Description
1	1	61-5883	Weldment, Base Plate, BX3751
2	8	61-5208	3/8-16 Nut Plate
3	8	201-0440	3/8-16 x 1 1/2 Bolt, Grd. 5, ZP
4	8	203-0010	3/8 Lock Washer, ZP
5	2	201-0979	#12-14 x 1" Self Drilling Screw, ZP
6	2	201-0192	#10-32 x 1/2 Slot, Rd. Hd. Screw
7	2	203-0054	#10 Lock Washer
8	2	202-0047	#10-32 Hex Nut
9	2	101-5822	Adapter, 4 Way Connector
10	2	62-3469	Attachment, Assembly, SF/ LB (R)
	2	226-0046	Baseplate Safety Cable, 36" CL III (Not Shown)
	2	229-0359	Quicklink, 3/8, ZP (Not Shown)
	2	290-0437	Receiver, Cap Plug (Blk) (Not Shown)



**IMPORTANT:** Use only genuine factory replacement parts on your Base Plate. Do not substitute homemade or nontypical parts. If a bolt is lost or in need of replacement, for your safety and the preservation of your Base Plate, be sure to use a replacement bolt of the same grade (Usually Grade 5, refer to parts list). Repair parts may be ordered through your nearest **Blue Ox** dealer or distributor.

# General Information

1. Ensure that your product(s) are registered online at [www.blueox.com](http://www.blueox.com). It is crucial to register your product(s) so that you may be alerted of product offerings, updates, upgrades, maintenance and safety bulletins, and/or recalls.
2. **It is the owner's responsibility to inspect all towing equipment for cracked welds, missing or worn parts and loose bolts before each towing trip.** Be sure to use Loctite® Red on all bolts and tighten to the recommended specifications.
3. **It is the owner's responsibility to hook up all towing equipment per manufacturer's instructions/recommendations.**
4. Remove the attachment tabs when not in use (if applicable).

## Notice To Baseplate Installer

### 1. It is YOUR responsibility to watch for:

- Oil cooler and air conditioner lines
- Electrical wires and hoses
- Missing parts or attaching points on the frame

\*\* If the baseplate is improperly installed and is against a wire or hose, it could cause fluid leaks or electrical shorts some time after the actual baseplate installation.

## Permanent Baseplate Safety Cable Installation

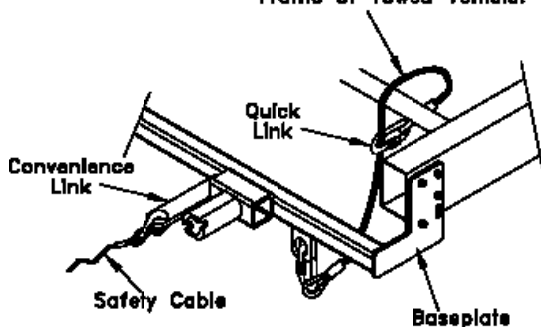
Permanent baseplate safety cables are strongly recommended when towing a vehicle with a tow bar. The principle function of the permanent baseplate safety cables is to prevent the towed vehicle from breaking loose in the event the connection between the frame of the towed vehicle and the baseplate fails or becomes disconnected. The cables must be connected from the baseplate to the frame rail or cross member of the vehicle's frame. The illustrations below show the possible arrangements recommended by Blue Ox®. Each permanent baseplate safety cable must have an adequate weight rating for the towing system. The weight rating of the two (2) cables together will not qualify.

***Do not mount the permanent baseplate safety cables against wires, hoses or brake lines.***

These permanent baseplate safety cables should remain installed as long as the baseplate is installed on the vehicle. Permanent baseplate safety cables are to be used in conjunction with, and NOT a replacement for legally required safety cables attaching the towed vehicle to the towing vehicle.

### OPTION #1

Permanent Baseplate Safety Cables to Cross Member or Frame of Towed Vehicle.



### OPTION #2

Permanent Baseplate Safety Cables to Cross Member or Frame of Towed Vehicle.

