



Strong As An Ox™

BX3224 Installation Instructions 2003 - 2008 Pontiac Vibe

Serial No.

The front fascia and windshield reservoir are removed for baseplate installation. Holes need to be drilled and lower grill will need to be trimmed or removed. The BX8869 is available for the vehicle. Attachment Tabs are 24 inches center to center and a height of 14 1/2 inches.



1. Remove phillips screw with rubber bumper using the phillips screw driver, both sides. On the top side of front fascia, remove three phillips push pins and two push pins from upper fascia opening.



2. Just forward of front tire, on lower corner of fascia, remove two metric bolts with the 10MM socket or a phillips screw driver, both sides.



3. Remove metric bolt inside wheel, on fascia's upper corner, with the 10MM socket or phillips screw driver.



4. On the bottom of metal bumper, behind fascia, remove one push pin from fascia tab, both sides. Pull fascia forward and set aside.



5. Disconnect tubing and plug. Disconnect electrical couplers.



6. Using the 10MM socket, remove the three metric bolts for the windshield washer reservoir and set aside.



Strong As An Ox™



7. Using either a 1 1/4" drill bit or hole saw, drill a 1 1/4" hole in frame, to gain access to inside of frame, both sides.



9. Using the baseplate as a template, drill four holes with the 13/32" drill bit, both sides. Insert item 2 into 1 1/4" hole, to align with drilled holes on the inside of frame. Tighten items 3 and 4 into item 2 on the four 13/32" drilled holes, both sides. **Be sure and use loctite on all bolts before tightening.**

10. Reinstall windshield washer reservoir. Align fascia to original position, mark, and trim fascia as needed, to allow openings for receiver tubes, convenience links, and electrical rods. **Note:** The grille inserts near the fog lights will have to be trimmed to accommodate the baseplate. (**Optional:** Remove clips from lower grill openings on the back side of fascia and remove lower grill.) Reinstall fascia.

11. The dimensional variations between otherwise identical cars can be considerable. While the location and size of the holes in the baseplate were designed to allow for easy installation, it may be necessary to file a hole slightly to allow a bolt to clear.

12. Install the tow bar and safety cables according to the instructions included in their packages. Do **not** substitute other devices if the tow bar pin and clip are lost.

14. **DEALER OR INSTALLER: BE CERTAIN THE USER RECEIVES THE INSTRUCTION SHEET.**



8. Hold baseplate in place. Temporarily clamp baseplate to the bottom side of metal bumper, while holding a 3/4" space between the bottom of metal bumper and cross tube.





Strong As An Ox™

Tools Required

Loctite Blue
9/16" Socket

13/32" Drill Bit
Vise Grips
Phillips Screw Driver

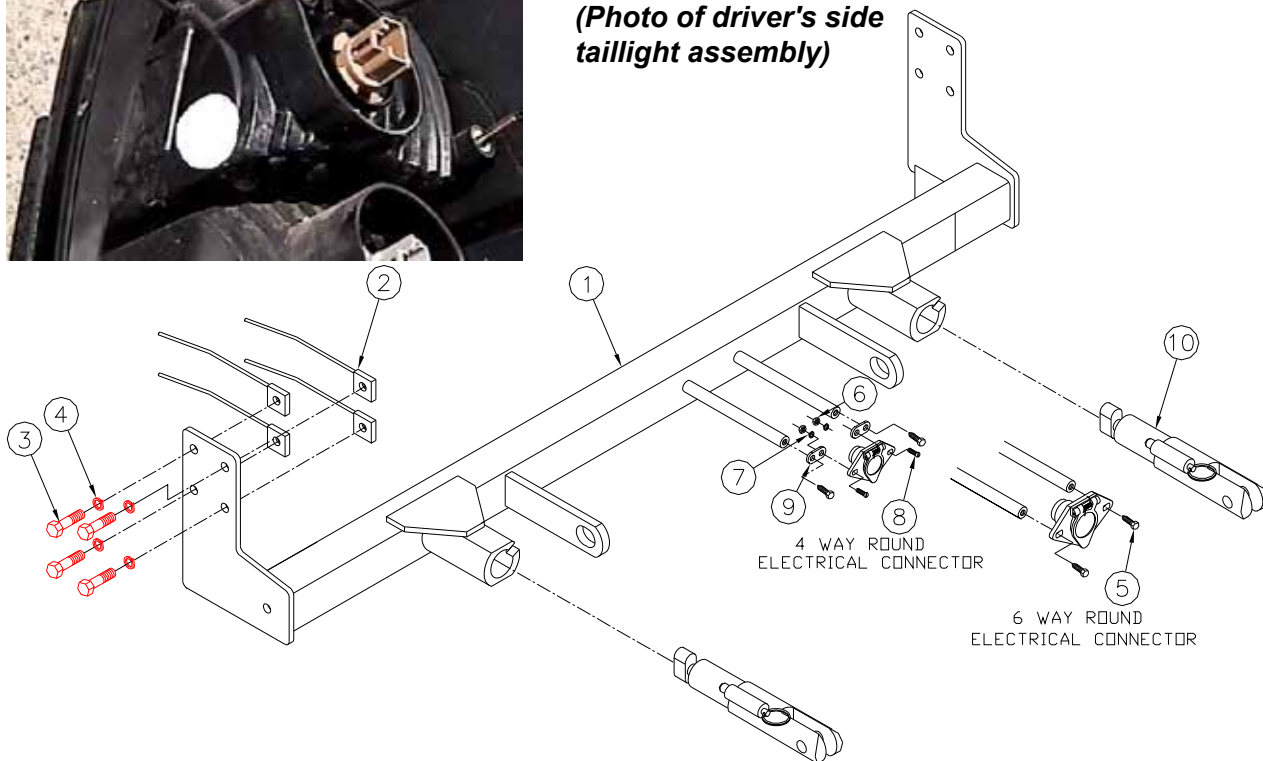
10MM Socket
1 1/4" Hole Saw

Parts List

Ref. No.	Qty.	Part No.	Description
1	1	61-5781	Weldment, Base Plate, BX3224
2	8	61-5208	3/8-16 Nut Plate
3	8	201-0368	3/8-16 x 1 1/4 Bolt, Grd. 5, ZP
4	8	203-0010	3/8 Lock Washer, ZP
5	2	201-0979	#12-14 x 1" Self Drilling Screw, ZP
6	2	201-0192	#10-32 x 1/2 Slot, Rd. Hd. Screw
7	2	203-0054	#10 Lock Washer
8	2	202-0047	#10-32 Hex Nut
9	2	101-5822	Adapter, 4 Way Connector
10	2	62-3469	Attachment, Assembly, LB/ SF (R)
	2	226-0046	Baseplate Safety Cable, 36" CL III (Not Shown)
	2	229-0359	Quicklink, 3/8, ZP (Not Shown)
	2	290-0437	Receiver, Cap Plug (BLK) (Not Shown)



**Location of the BX8869
(Photo of driver's side
taillight assembly)**



IMPORTANT: Use only genuine factory replacement parts on your Base Plate. Do not substitute homemade or nontypical parts. If a bolt is lost or in need of replacement, for your safety and the preservation of your Base Plate, be sure to use a replacement bolt of the same grade (Usually Grade 5, refer to parts list). Repair parts may be ordered through your nearest **Blue Ox** dealer or distributor.

General Information

1. Ensure that your product(s) are registered online at www.blueox.com. It is crucial to register your product(s) so that you may be alerted of product offerings, updates, upgrades, maintenance and safety bulletins, and/or recalls.
2. **It is the owner's responsibility to inspect all towing equipment for cracked welds, missing or worn parts and loose bolts before each towing trip.** Be sure to use Loctite® Red on all bolts and tighten to the recommended specifications.
3. **It is the owner's responsibility to hook up all towing equipment per manufacturer's instructions/recommendations.**
4. Remove the attachment tabs when not in use (if applicable).

Notice To Baseplate Installer

1. It is YOUR responsibility to watch for:

- Oil cooler and air conditioner lines
- Electrical wires and hoses
- Missing parts or attaching points on the frame

** If the baseplate is improperly installed and is against a wire or hose, it could cause fluid leaks or electrical shorts some time after the actual baseplate installation.

Permanent Baseplate Safety Cable Installation

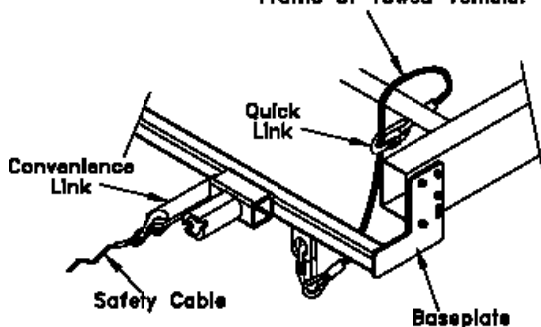
Permanent baseplate safety cables are strongly recommended when towing a vehicle with a tow bar. The principle function of the permanent baseplate safety cables is to prevent the towed vehicle from breaking loose in the event the connection between the frame of the towed vehicle and the baseplate fails or becomes disconnected. The cables must be connected from the baseplate to the frame rail or cross member of the vehicle's frame. The illustrations below show the possible arrangements recommended by Blue Ox®. Each permanent baseplate safety cable must have an adequate weight rating for the towing system. The weight rating of the two (2) cables together will not qualify.

Do not mount the permanent baseplate safety cables against wires, hoses or brake lines.

These permanent baseplate safety cables should remain installed as long as the baseplate is installed on the vehicle. Permanent baseplate safety cables are to be used in conjunction with, and NOT a replacement for legally required safety cables attaching the towed vehicle to the towing vehicle.

OPTION #1

Permanent Baseplate Safety Cables to Cross Member or Frame of Towed Vehicle.



OPTION #2

Permanent Baseplate Safety Cables to Cross Member or Frame of Towed Vehicle.

