



Strong As An Ox™

## BX2705 Installation Instructions 2001 Kia Rio

Serial No.

The front fascia and head light assembly is removed for baseplate installation. Holes need to be drilled. The BX8869 is available for the base plate. The attachment tabs are 24 inches center to center and 12 inches of height.



1. Remove three metric bolts from head light assembly with 10MM socket, pull forward, unplug, and set aside on both sides.



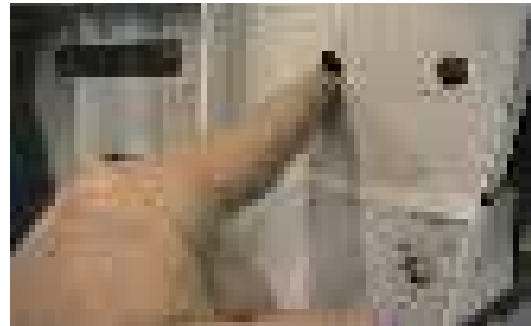
3. Using the phillips screw driver remove screw from each side of fascia corner. Remove four push pins just forward of front tire and four from the top side of fascia opening.



5. Hold baseplate and spacer plate to align with this drilled hole, insert items 5 and 7. Align item 2 with item 5 from inside frame end, both sides, do not tighten.



2. Just behind head light assembly is a metric nut to be removed with the 10MM socket. Also remove 7 push pins for top side of fascia.



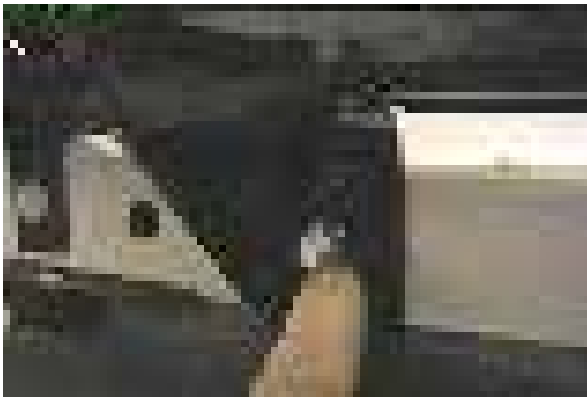
4. Drill out existing hole with the 13/32 drill bit.



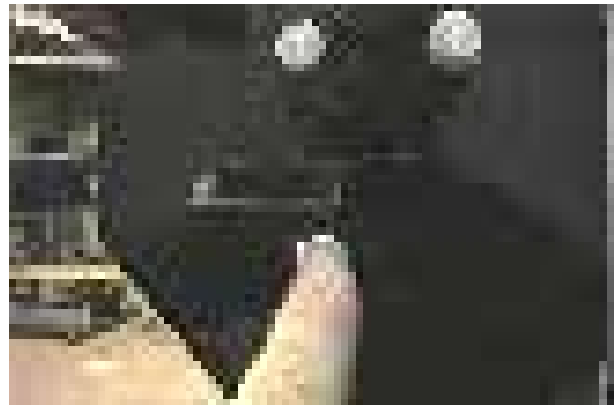
6. With the 1 1/4 inch hole saw cut a hole in the cross member front to gain access to interior.



Strong As An Ox™



7. Using the baseplate as a template drill a 13/32" hole into cross member for lower supports. Insert items 4 and 7 into drill hole. Then insert item 2 into 1 1/4" hole to align with item 4 according to drawing on last page. **Be sure and use loctite on all bolts before tightening.**



8. Drill all remaining holes on the ends of baseplate, with the 13/32" drill bit. Insert items 5, 6, 7, and 8 into these drilled holes, tighten all bolts. **Be sure and use loctite on all bolts before tightening.**

9. Reinstall fascia, head light assemblies, and be sure all electrical components are reconnected.

10. The dimensional variations between otherwise identical cars can be considerable. While the location and size of the holes in the baseplate were designed to allow for easy installation, it may be necessary to file a hole slightly to allow a bolt to clear.

11. Install the tow bar and safety cables according to the instructions included in their packages.

12. Do **not** substitute other devices if the tow bar pin and clip are lost.

13. **DEALER OR INSTALLER: BE CERTAIN THE USER RECEIVES THE INSTRUCTION SHEET.**



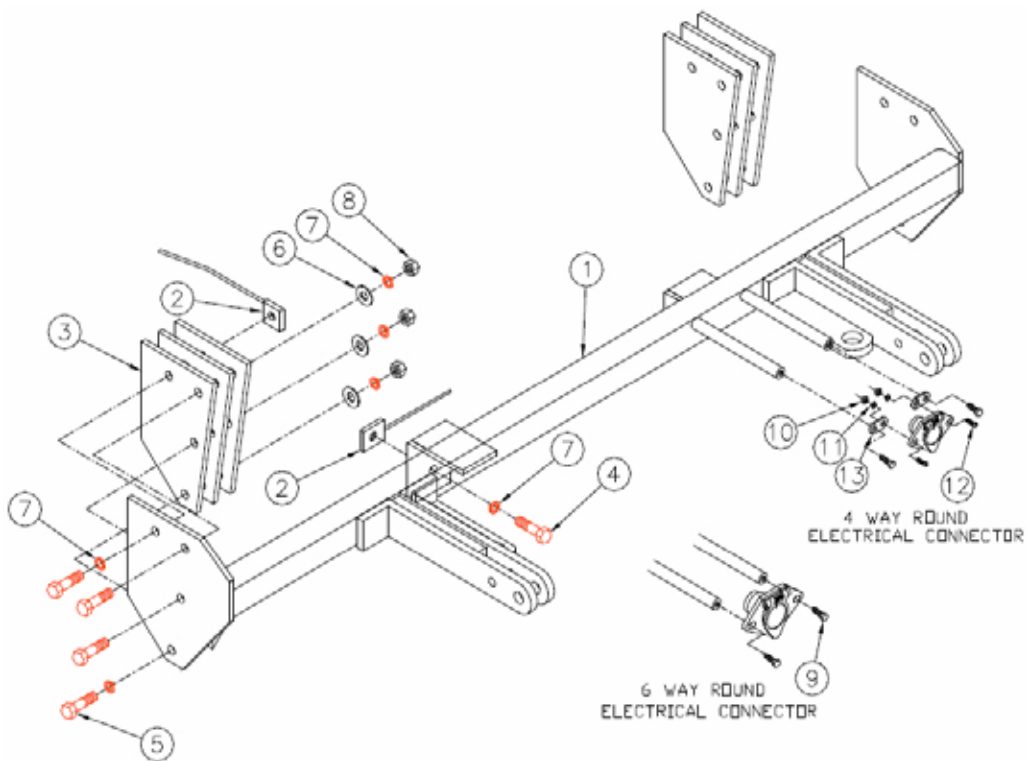


## Tools Required

- |                       |                     |                  |
|-----------------------|---------------------|------------------|
| 10MM Socket           | Loctite Blue        | 13/32" Drill Bit |
| 9/16" Socket          | Vise Grips          | 1 1/4" Hole Saw  |
| Phillips Screw Driver | 1/2" Transfer Punch |                  |

## Parts List

Ref. No.	Qty.	Part No.	Description
1	1	61-5675	Weldment, Base Plate, BX2705
2	4	61-5208	Weldment, 3/8-16, Nut Plate
3	6	101-6217	Spacer, Plate, BX2705
4	2	201-0440	3/8-16 x 1 1/2 Hex Bolt, Grd. 5, ZP
5	8	201-0332	3/8-16 x 2 1/4 Hex Bolt, Grd. 5, ZP
6	6	203-0003	3/8 Flat Washer, ZP
7	10	203-0010	3/8 Lock Washer, Z
8	6	202-0003	3/8-16 Hex Nut, ZP
9	2	201-0979	#12-14 x 1" Self Drilling Screw, ZP
10	2	202-0047	#10-32 Hex Nut
11	2	203-0054	#10 Lock Washer
12	2	201-0192	#10-32 x 1/2 Slot, Rd. Hd. Screw
13	2	101-5822	Adapter, 4 Way Connector



**IMPORTANT:** Use only genuine factory replacement parts on your Base Plate. Do not substitute homemade or nontypical parts. If a bolt is lost or in need of replacement, for your safety and the preservation of your Base Plate, be sure to use a replacement bolt of the same grade (Usually Grade 5, refer to parts list). Repair parts may be ordered through your nearest **Blue Ox** dealer or distributor.

# General Information

1. Ensure that your product(s) are registered online at [www.blueox.com](http://www.blueox.com). It is crucial to register your product(s) so that you may be alerted of product offerings, updates, upgrades, maintenance and safety bulletins, and/or recalls.
2. **It is the owner's responsibility to inspect all towing equipment for cracked welds, missing or worn parts and loose bolts before each towing trip.** Be sure to use Loctite® Red on all bolts and tighten to the recommended specifications.
3. **It is the owner's responsibility to hook up all towing equipment per manufacturer's instructions/recommendations.**
4. Remove the attachment tabs when not in use (if applicable).

## Notice To Baseplate Installer

### 1. It is YOUR responsibility to watch for:

- Oil cooler and air conditioner lines
- Electrical wires and hoses
- Missing parts or attaching points on the frame

\*\* If the baseplate is improperly installed and is against a wire or hose, it could cause fluid leaks or electrical shorts some time after the actual baseplate installation.

## Permanent Baseplate Safety Cable Installation

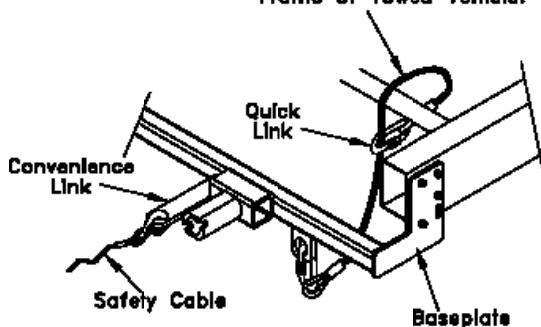
Permanent baseplate safety cables are strongly recommended when towing a vehicle with a tow bar. The principle function of the permanent baseplate safety cables is to prevent the towed vehicle from breaking loose in the event the connection between the frame of the towed vehicle and the baseplate fails or becomes disconnected. The cables must be connected from the baseplate to the frame rail or cross member of the vehicle's frame. The illustrations below show the possible arrangements recommended by Blue Ox®. Each permanent baseplate safety cable must have an adequate weight rating for the towing system. The weight rating of the two (2) cables together will not qualify.

***Do not mount the permanent baseplate safety cables against wires, hoses or brake lines.***

These permanent baseplate safety cables should remain installed as long as the baseplate is installed on the vehicle. Permanent baseplate safety cables are to be used in conjunction with, and NOT a replacement for legally required safety cables attaching the towed vehicle to the towing vehicle.

### OPTION #1

Permanent Baseplate Safety Cables to Cross Member or Frame of Towed Vehicle.



### OPTION #2

Permanent Baseplate Safety Cables to Cross Member or Frame of Towed Vehicle.

