



BX2528 2011 Mazda 2 Installation Instructions

Attachment Tab Height: 13"

Attachment Tab Width: 24"

Serial Number

Please read **BOTH** these Installation Instructions and the General Instructions prior to installing or operating this equipment.

- Blue Ox® towing products and accessories are intended to be installed by Blue Ox® Dealers who are familiar with our products and have the equipment and knowledge necessary to do "fit work". If needed, Blue Ox® Dealers can be found at www.blueox.com or by contacting our Customer Care Department at (402) 385-3051.
- Many Blue Ox® baseplates are designed to use existing holes and hardware to mount the baseplate to the towed vehicle. Even though bolts are there, do not assume they are adequate for baseplate mounting. Always use the hardware supplied in the hardware kit and existing hardware as specified in the installation instructions.

Bolt Torque Specifications

Torque in Foot-Pounds for Inch Bolts

Bolt Size	Grade 5	Grade 8
1/4"	10	14
5/16"	19	29
3/8"	33	47
7/16"	54	78
1/2"	78	119
5/8"	154	230
3/4"	257	380

Bolt Torque Specifications

Torque in Foot-Pounds for Metric Bolts

Bolt Size	Grade 8.8	Grade 10.9
6MM	6	8
8MM	16	22
10MM	31	40
12MM	54	70
14MM	89	117
16MM	161	230
18MM	222	318



If the front of your vehicle looks different than this, please contact us at (402)385-3051.

Reference your vehicle owner's manual for manufacturer's towing specifications.



WARNING

Failure to read and follow these instructions could result in separation of the towed vehicle from the tow bar, causing property damage, loss of towed vehicle, personal injury or death.

BX2528
2011 Mazda 2
Installation Instructions

Instruction Notes: The fascia and styrofoam reinforcement are removed and reinstalled for the baseplate installation. Some drilling and trimming is required.

Place all components that are removed on a flat, sturdy surface. All items will be reinstalled unless otherwise noted after the baseplate is installed.

The dimensional variations between otherwise identical vehicles can be considerable. While the baseplate was designed for easy installation, it may be necessary to tailor the baseplate slightly to compensate for vehicle manufacturer's tolerances.

The BX8848 4-Diode Wiring Kit is recommended for this vehicle.

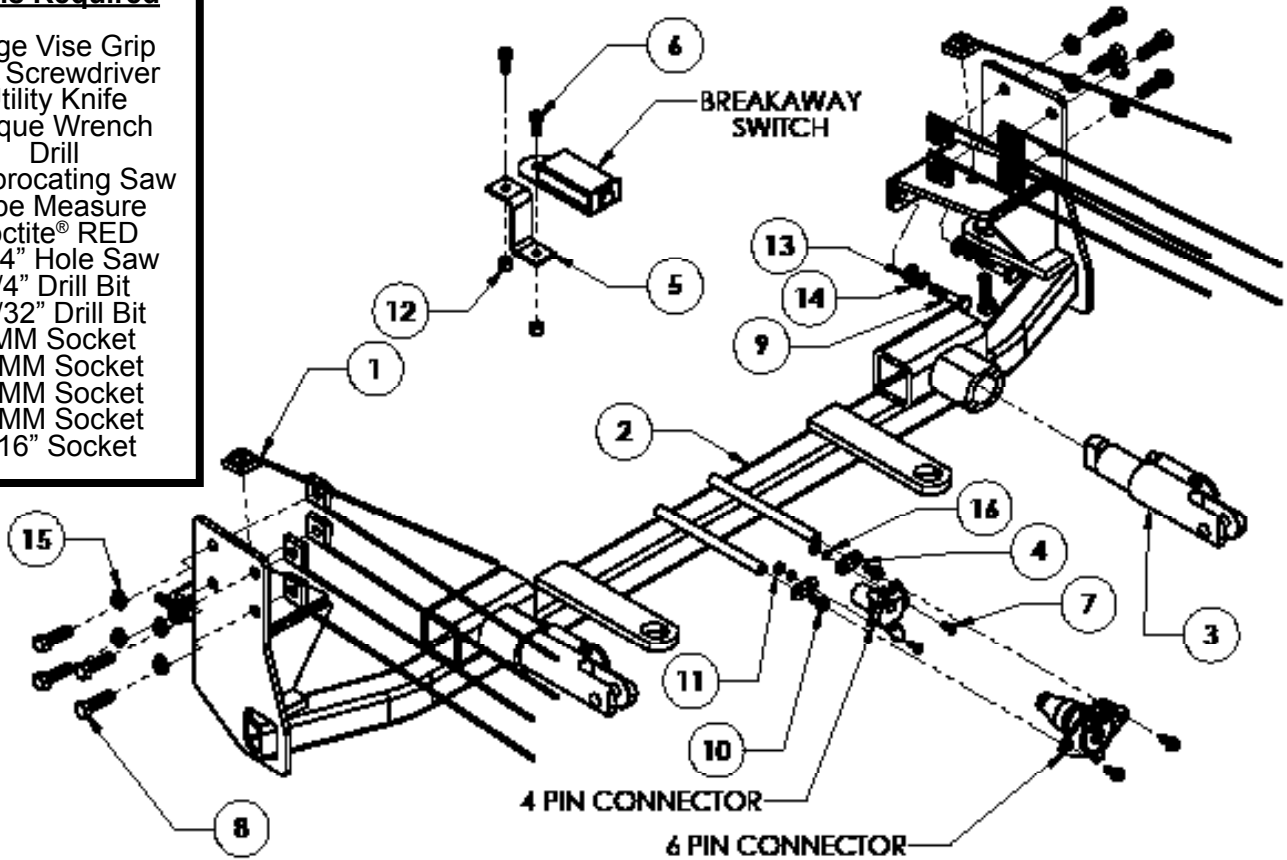
NOTICE

- Handling of some cosmetic parts when installing this product may require the use of protective covers, rags, specialty tools, etc. to prevent damage.
- When using power drills be aware of the dangers of torque and drill bit length.
- When using a reciprocating saw be aware of objects behind the cutting surface.
- Use a good quality paint to spray cut edges of frame to prevent rusting.
- Be sure that **ALL** electrical connections are plugged in and accessories are functioning properly before reinstalling the fascia.
- The baseplate is computer tested to your vehicle's GVWR, exceeding this weight will void the manufacturer's warranty.
- Be sure to use Loctite® Red on all bolts before tightening. Tighten all bolts according to the torque chart provided.
- Dealer or installer be certain the user receives these instruction sheet.
- If the baseplate is in an accident, it must be replaced. **DO NOT** use it again! An accident can cause unseen damage and using it again could result in more damage or serious injury. **DO NOT** use the baseplate if it is damaged or missing parts.

BX2528
2011 Mazda 2
Installation Instructions

Tools Required

Large Vise Grip
Flat Screwdriver
Utility Knife
Torque Wrench
Drill
Reciprocating Saw
Tape Measure
Loctite® RED
1-1/4" Hole Saw
1/4" Drill Bit
13/32" Drill Bit
8MM Socket
10MM Socket
12MM Socket
13MM Socket
9/16" Socket

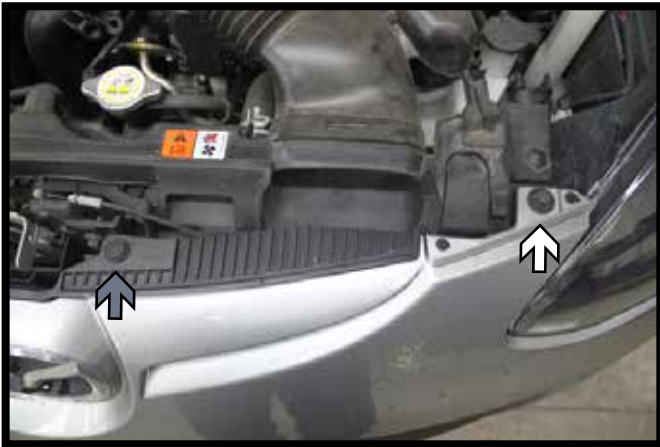


Item No.	Part No.	Description	Qty.
1.....	61-5208.....	3/8"-16 Nut Plate w/ 14" Wire.....	10
2.....	61-7248.....	BX2528 Baseplate.....	1
3.....	62-3468.....	Attachment Tab Assembly with Hole.....	2
4.....	101-5822.....	4 Way Connector Adapter.....	2
5.....	102-7056.....	Breakaway Bracket.....	1
6.....	201-0050.....	1/4"-20 x 3/4" Hex Head Bolt, Grade 5, ZP.....	2
7.....	201-0192.....	#10-32 1/2" Round Slotted Head Screw.....	2
8.....	201-0368.....	3/8"-16 x 1-1/4" Hex Head Bolt, Grade 5, ZP.....	10
9.....	201-0418.....	8MM-1.25 x 35MM Hex Head Bolt, ZP.....	4
10.....	201-0979.....	#12-14 x 1" Self Drilling Screw, ZP.....	2
11.....	202-0047.....	#10-32 Hex Nut.....	2
12.....	202-0102.....	1/4"-20 Hex Nylon Lock Nut, ZP.....	2
13.....	203-0002.....	5/16" Flat Washer, ZP.....	4
14.....	203-0009.....	5/16" Lock Washer, ZP.....	4
15.....	203-0010.....	3/8" Lock Washer, ZP.....	10
16.....	203-0054.....	#10 Lock Washer, ZP.....	2
17.....	226-0046(not shown).....	Class III Safety Cables.....	2
18.....	229-0359(not shown).....	3/8" Quicklink, ZP.....	2
19.....	290-0437(not shown).....	Black Cap Plug Receiver.....	2

Important:

Use only genuine factory replacement parts on your baseplate. Do **NOT** substitute homemade or non-typical parts. If a bolt is lost or in need of replacement, for your safety and the preservation of your baseplate, be sure to use a replacement bolt of the same grade (In most cases it will be Grade 5, please reference the parts list above). Replacement parts may be ordered through your nearest Blue Ox® Dealer or Distributor. Failing to follow and/or altering these installation instructions in either installation or required equipment will void the manufacturer's warranty. Towing behind a non-motorized vehicle will void the warranty.

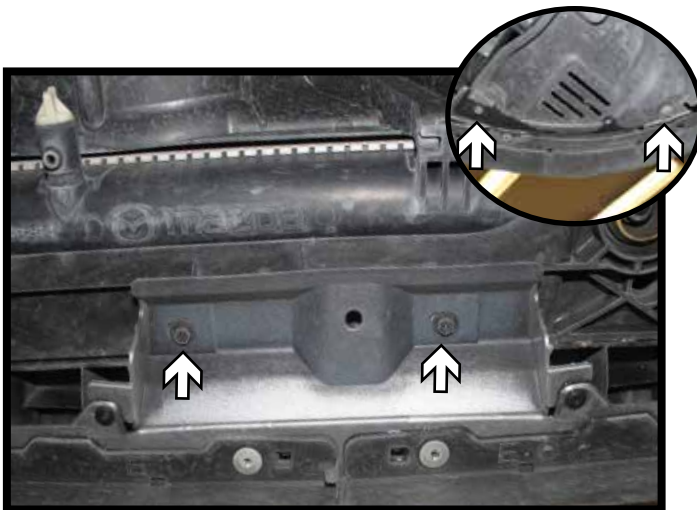
BX2528
2011 Mazda 2
Installation Instructions



1. Using a 10MM socket, remove the screw from the top edge of the fascia (white). Then remove the push pin (gray). Do this on both sides of the vehicle.



2. Using a 8MM socket, remove the screw from the edge of the wheel well. Do this on both sides of the vehicle.



3. Using a 8MM socket, remove the six (6) screws from the Underside of the fascia. There are two (2) on each side (inset) and two (2) in the middle. Pry the corners of the fascia away from the vehicle. Disconnect all electrical connections and pull the fascia off from the vehicle.

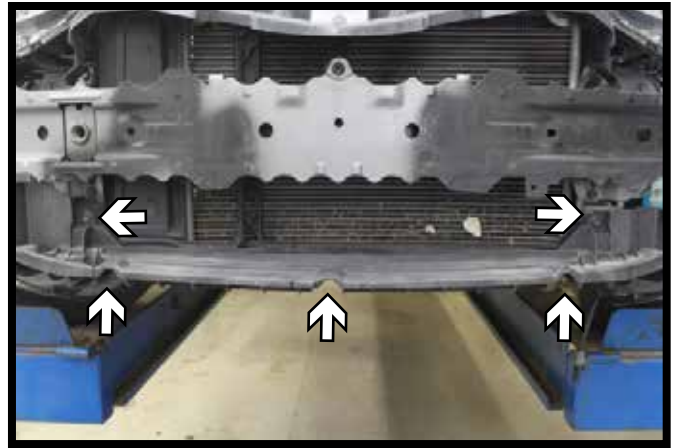


4. Remove the push pin from the styrofoam reinforcement. Do this on both sides of the vehicle. Set the reinforcement aside.

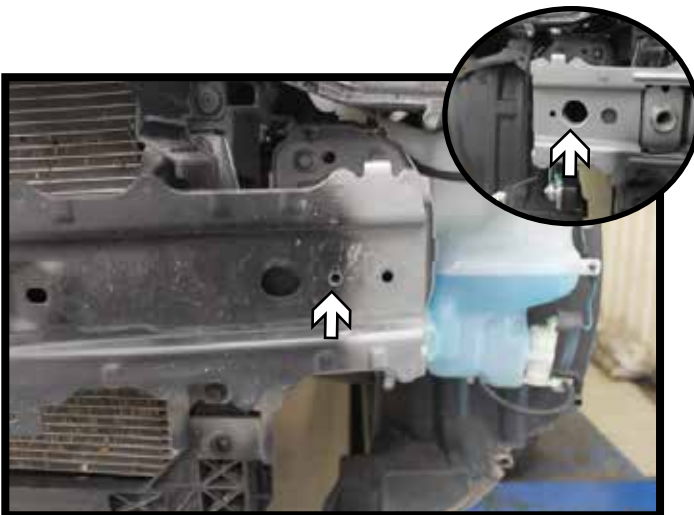
BX2528
2011 Mazda 2
Installation Instructions



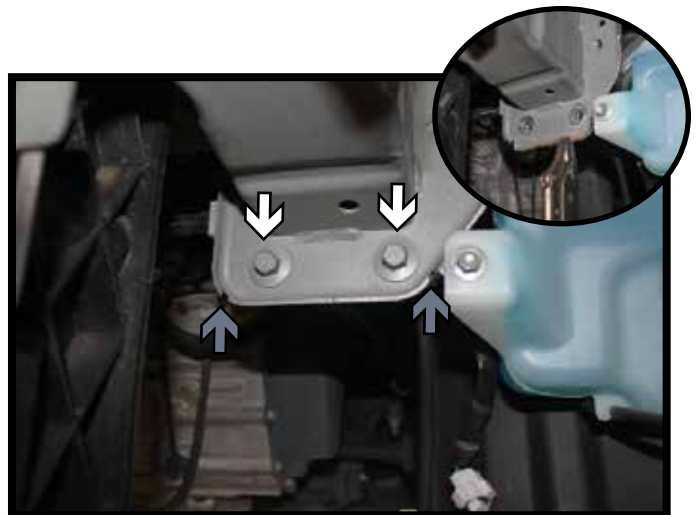
5. Remove the temperature sensor from the bumper and move it aside.



6. Using a 10MM socket, remove the five (5) screws from the lower shrouding. The shrouding will not be reinstalled.



7. Using a 1/4" drill bit, drill a pilot hole as shown in the bumper. Using a 1-1/4" hole saw, drill out the pilot hole thru the bumper and frame for nut plate access. Do this on both sides of the vehicle.



8. Using a 13MM socket, remove the four (4) screws from the lower frame extension. There are two (2) on each side (white). Using a reciprocating saw, cut two (2) slits on the flange back to the face of the frame (gray). Using vise-grips, bend the flange down so it is flush with the face of the frame (inset). Do this on both sides of the vehicle.

BX2528
2011 Mazda 2
Installation Instructions



9. Position the baseplate onto the vehicle, start the four (4) 8MM bolts with 5/16" lock and flat washers into the existing frame extension holes (white). There are (2) on each side.

Push the baseplate back and up tight up against the frame and clamp in place. Fully tighten the lower frame extension bolts. Using a 13/32" drill bit, drill the two (2) holes on the underside of the baseplate thru the frame (gray). There is one (1) on each side. Install 3/8"-16 x 1-1/4" bolts with 3/8" lock washers into the holes and secure with 3/8" nut plates on the inside of the frame.



10. Using a 13/32" drill bit, drill the eight (8) holes on the sides of the baseplate thru the frame. There are four (4) on each side. Install 3/8"-16 x 1-1/4" bolts with 3/8" lock washers into the holes and secure with 3/8" nut plates on the inside of the frame.

Reinstall the temperature sensor.



11. Attach the permanent baseplate safety cables to the provided convenience link on the baseplate. The photo shows the recommended installation of the cables to frame of vehicle. Additional options may interfere with suggested mounting; in this case, secure the cables to a solid piece of the frame as described in the instructions included with the permanent baseplate safety cables. Be sure the safety cables do not rub against any hoses or moving parts. Do this on **BOTH** sides of the vehicle.

BX2528
2011 Mazda 2
Installation Instructions



12. Hold the fascia as close to its original position, mark and trim the fascia around the convenience links and attachment tabs. Reinstall the fascia.

CUSTOMER SERVICE COMMITMENT

Blue Ox® is committed to providing you with exceptional customer care throughout your lifetime with our products. Our team is here to assist you with any questions you may have regarding the performance of your product. Simply call (402) 385-3051 and you can speak with our customer care team.

Additionally, please visit our website to see which rallies our Destination America team will be attending. For a nominal fee, our service technician will service your towing system to ensure it's in proper working condition. Also, as a commitment to our customers, should you visit our factory, you can stay at our full service Blue Ox® campground at no charge along with enjoying a factory tour.

Again, thank you for being our customer and for the confidence you have shown in the performance of our products. It is because of customers like you we enjoy the success we have today.

© 2013 Blue Ox
One Mill Road, Industrial Park
Pender, Nebraska 68047
Phone: (402) 385-3051
Fax: (402) 385-3360
www.blueox.com

General Information

1. Ensure that your product(s) are registered online at www.blueox.com. It is crucial to register your product(s) so that you may be alerted of product offerings, updates, upgrades, maintenance and safety bulletins, and/or recalls.
2. **It is the owner's responsibility to inspect all towing equipment for cracked welds, missing or worn parts and loose bolts before each towing trip.** Be sure to use Loctite® Red on all bolts and tighten to the recommended specifications.
3. **It is the owner's responsibility to hook up all towing equipment per manufacturer's instructions/recommendations.**
4. Remove the attachment tabs when not in use (if applicable).

Notice To Baseplate Installer

1. It is YOUR responsibility to watch for:

- Oil cooler and air conditioner lines
- Electrical wires and hoses
- Missing parts or attaching points on the frame

** If the baseplate is improperly installed and is against a wire or hose, it could cause fluid leaks or electrical shorts some time after the actual baseplate installation.

Permanent Baseplate Safety Cable Installation

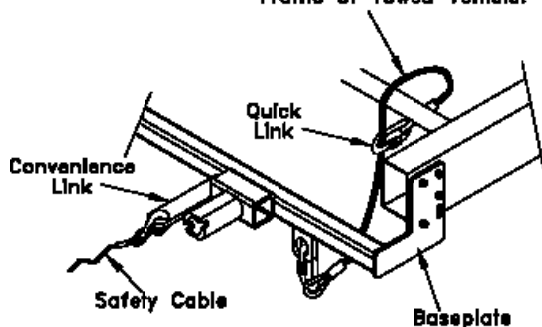
Permanent baseplate safety cables are strongly recommended when towing a vehicle with a tow bar. The principle function of the permanent baseplate safety cables is to prevent the towed vehicle from breaking loose in the event the connection between the frame of the towed vehicle and the baseplate fails or becomes disconnected. The cables must be connected from the baseplate to the frame rail or cross member of the vehicle's frame. The illustrations below show the possible arrangements recommended by Blue Ox®. Each permanent baseplate safety cable must have an adequate weight rating for the towing system. The weight rating of the two (2) cables together will not qualify.

Do not mount the permanent baseplate safety cables against wires, hoses or brake lines.

These permanent baseplate safety cables should remain installed as long as the baseplate is installed on the vehicle. Permanent baseplate safety cables are to be used in conjunction with, and NOT a replacement for legally required safety cables attaching the towed vehicle to the towing vehicle.

OPTION #1

Permanent Baseplate Safety Cables to Cross Member or Frame of Towed Vehicle.



OPTION #2

Permanent Baseplate Safety Cables to Cross Member or Frame of Towed Vehicle.

