



## **BX2512 Installation Instructions 1997-99 Mazda B2500**

**A BX88115 Adapter is needed when using a Blue Ox car mounted tow bar.** The lower plastic bumper needs to be removed. The lower rock guard under the radiator needs to be loosened so there is a 1/2" gap. The side rock deflectors need to be trimmed for the cross tube on the baseplate. Half inch holes need to be drilled.

1. Remove the four nuts from the frame brackets that are directly behind the bumper molding, Disconnect the running lights and pull off the molding/bumper from the vehicle.
2. Remove the black plastic rock guard under the radiator. Notice the two plastic vertical rock deflectors outboard of the radiator. Starting at the front corner notch out a 2 1/2 inches up and 5 inches back piece for the baseplates cross tube.

**Use Loctite to ensure that the bolts do not loosen while the car is being towed.**

3. Notice the slotted holes on the outside and bottom of the frame rails, bolt the baseplate with the 1/2 bolts, lock and flat washers and the 1/2" nut plates. Insert the nut plates through the front of the frame rails. Apply Loctite to the bolts and tighten. Torque each bolt according to the torque guide included in the General Instruction Sheet.

The dimensional variations between otherwise identical cars can be considerable. While the location and size of the holes in the baseplate were designed to allow for easy installation, it may be necessary to file a hole slightly.

4. The rear holes on the baseplate need to be drilled. Use the baseplate as a template for drilling each hole. Use the 1/2" bolts and 1/2" wire nuts for these holes. Apply loctite and tighten to torque specifications.
5. Replace the bumper molding and lower rock guard.
6. Install the tow bar and safety cables according to the instructions included in their packages. Do not substitute other devices if the tow bar pin and clip are lost.
7. **DEALER OR INSTALLER: BE CERTAIN THE USER RECEIVES THE INSTRUCTION SHEET.**

# **Automatic**

### Tools Required

10MM Wrench  
Hack Saw

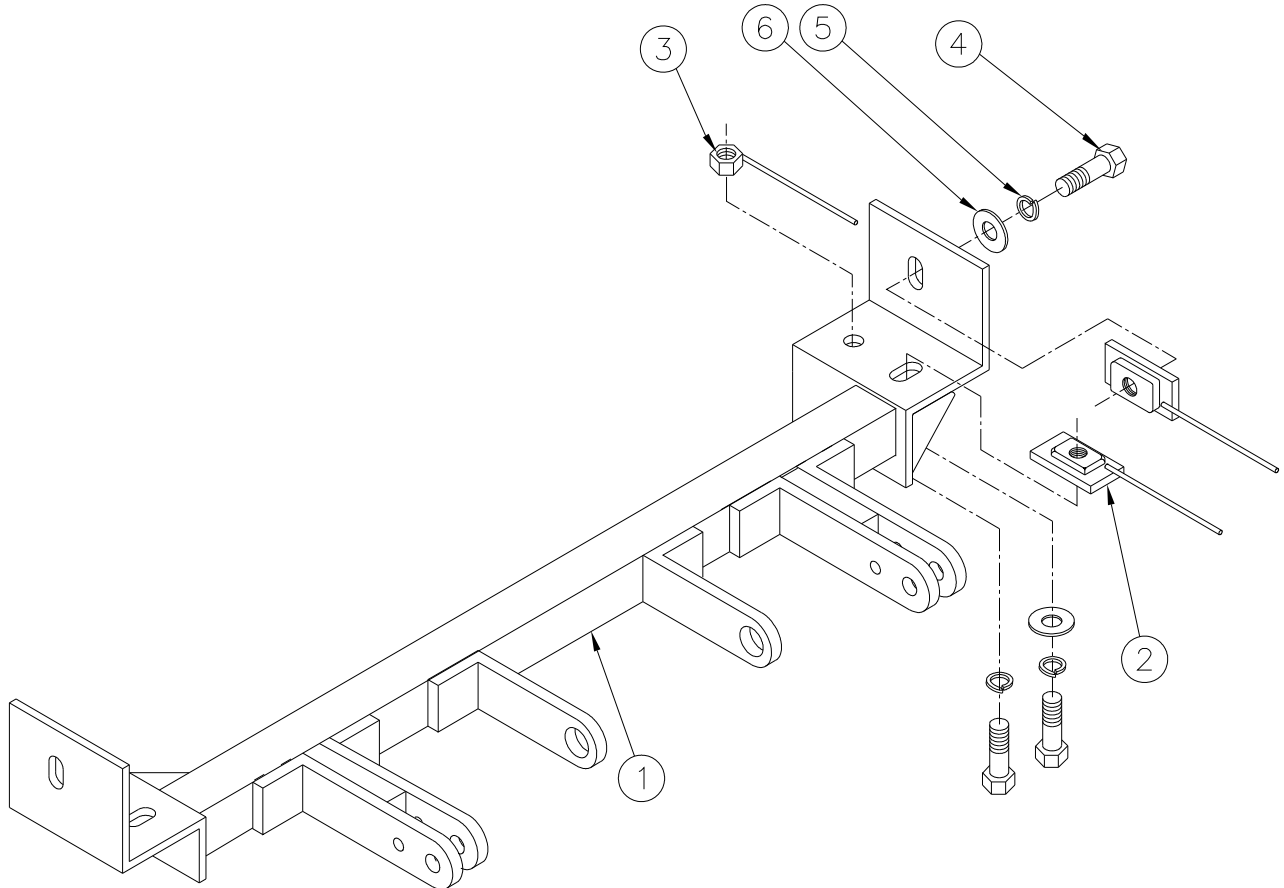
Utility Knife  
1/2" Drill Bit

Loctite  
Drill

3/4" Wrench  
18MM Wrench

### Parts List

Ref. No.	Qty.	Part No.	Description
1	1	61-5253	Baseplate, BX2512
2	4	61-5237	1/2 Nut Plate with Wire
3	2	61-4029	1/2 Wire Nut with Wire
4	6	201-0283	1/2-13 x 2 Hex Bolt
5	6	203-0012	1/2 Lock Washer
6	4	203-0005	1/2 Flat Washer



# General Information

1. Ensure that your product(s) are registered online at [www.blueox.com](http://www.blueox.com). It is crucial to register your product(s) so that you may be alerted of product offerings, updates, upgrades, maintenance and safety bulletins, and/or recalls.
2. **It is the owner's responsibility to inspect all towing equipment for cracked welds, missing or worn parts and loose bolts before each towing trip.** Be sure to use Loctite® Red on all bolts and tighten to the recommended specifications.
3. **It is the owner's responsibility to hook up all towing equipment per manufacturer's instructions/recommendations.**
4. Remove the attachment tabs when not in use (if applicable).

## Notice To Baseplate Installer

### 1. It is YOUR responsibility to watch for:

- Oil cooler and air conditioner lines
- Electrical wires and hoses
- Missing parts or attaching points on the frame

\*\* If the baseplate is improperly installed and is against a wire or hose, it could cause fluid leaks or electrical shorts some time after the actual baseplate installation.

## Permanent Baseplate Safety Cable Installation

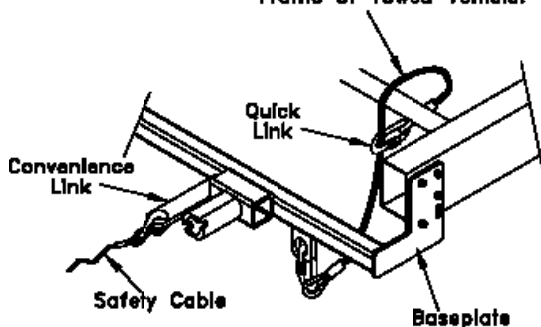
Permanent baseplate safety cables are strongly recommended when towing a vehicle with a tow bar. The principle function of the permanent baseplate safety cables is to prevent the towed vehicle from breaking loose in the event the connection between the frame of the towed vehicle and the baseplate fails or becomes disconnected. The cables must be connected from the baseplate to the frame rail or cross member of the vehicle's frame. The illustrations below show the possible arrangements recommended by Blue Ox®. Each permanent baseplate safety cable must have an adequate weight rating for the towing system. The weight rating of the two (2) cables together will not qualify.

***Do not mount the permanent baseplate safety cables against wires, hoses or brake lines.***

These permanent baseplate safety cables should remain installed as long as the baseplate is installed on the vehicle. Permanent baseplate safety cables are to be used in conjunction with, and NOT a replacement for legally required safety cables attaching the towed vehicle to the towing vehicle.

### OPTION #1

Permanent Baseplate Safety Cables to Cross Member or Frame of Towed Vehicle.



### OPTION #2

Permanent Baseplate Safety Cables to Cross Member or Frame of Towed Vehicle.

