



## Installation Instructions BX2404 1999-01 Isuzu Trooper

Serial No.

The grill and bumper facia need to be removed for installation of this baseplate. Holes need to be drilled.

1. Open the hood and remove the push clips from the top of the grill (with "Isuzu" logo). The clips can be pushed up and down to lock or release. Release the lock on each clip.

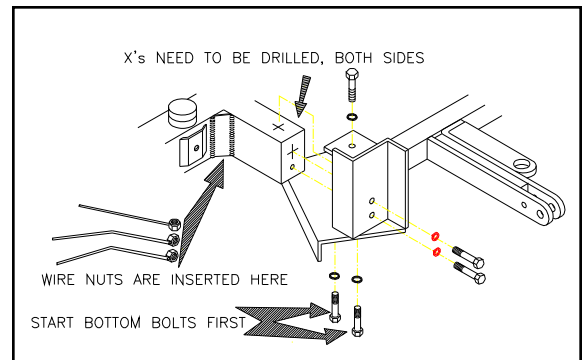


2. Remove the screws located in front of the grill. Pull the grill molding out and set it aside.
3. Looking on the back side of the bumper facia locate its brackets fastened to the frame held with two bolts. Remove the bolts from each bracket. The bumper is also held by a rubber U-shaped piece on the back of the bumper. Disconnect the wiring harnesses (directly above the front tires) for the running lights. Pull the bumper facia from these rubber holding pieces and set the bumper facia to the side.
4. Set the baseplate on the frame as shown in the diagram.

There are two

bolts on each side of the belly pan that align with the holes to the large plates on the baseplate. Remove these bolts and replace them with 10mm bolts and washers supplied (Items 5 and 6) bolting the baseplate to the frame but do not tighten completely. **Use Loctite on all bolts.**

The dimensional variations between otherwise identical vehicles can be considerable. While the location and size of the holes in the baseplate were designed to allow for easy installation, it may be necessary to file a hole slightly to allow a bolt to clear.



5. The bottom hole on the front plate of the baseplate lines up to an existing hole on the vehicles frame. Insert a 3/8" bolt and washer through this hole. Further back from where the baseplate is mounted on the frame is an opening, insert a 3/8" wire nut (Item 2) through this opening. Thread the bolt into the wire nut, but do not tighten. Do this for each side. See diagram.
6. The remaining two holes will have to be drilled (for each side). Use the 3/8" hardware and insert the wire nuts into the same holes in the frame used previously. It will be a tight fit for all three wire nuts to fit through the same hole but they will fit. Once all ten bolts have been started, tighten each according to the torque chart in the General Instruction Sheet.
7. Replace the bumper facia and grill piece. Connect the running light wiring.
8. DEALER OR INSTALLER: BE CERTAIN THE USER RECEIVES THE INSTRUCTION SHEET.

# Automatic

## Tools Required

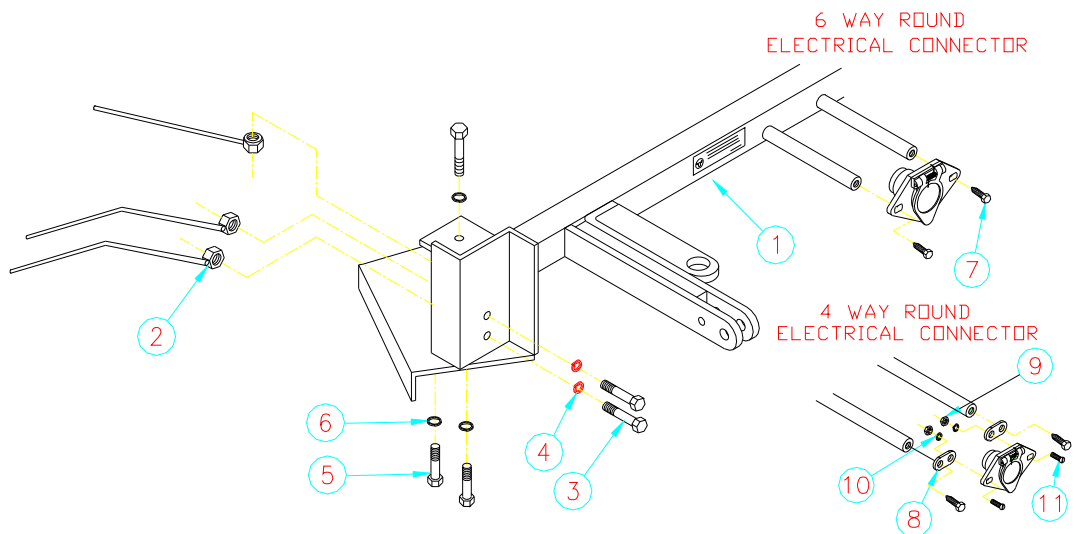
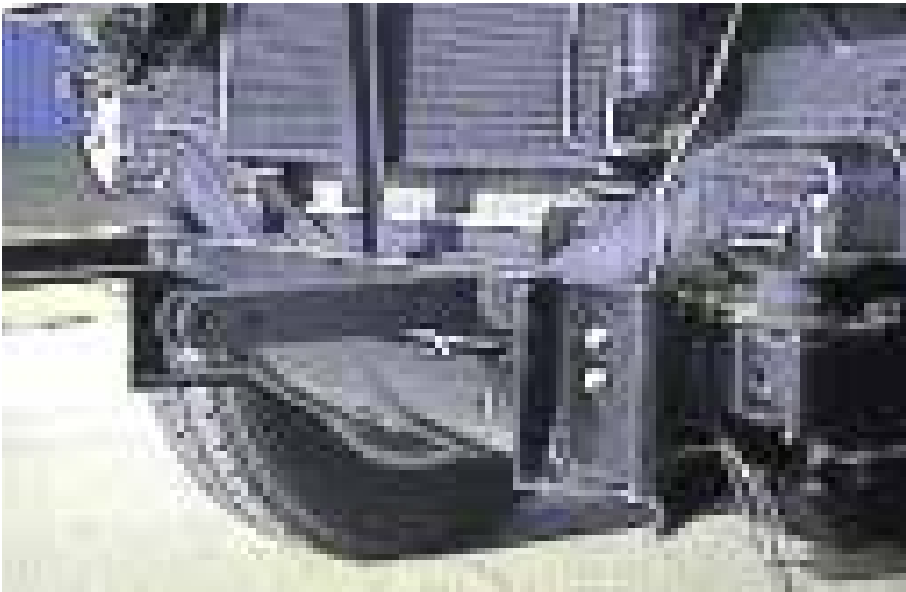
17mm Wrench  
5/8" Wrench

9/16" Wrench  
Phillips Screw Driver

Loctite Blue  
3/8" Drill Bit

## Parts List

Ref. No.	Qty.	Part No.	Description
1	1	61-5404	Weldment, Baseplate BX2404
2	6	61-4978	3/8 Wire Nut
3	6	201-0440	3/8-16 x 1 1/2 Hex Bolt, Grd 5, ZP
4	6	203-0010	3/8" Lock Washer
5	4	201-0422	10mm-1.25 x 30mm Hex Bolt, Grade 8.8
6	4	203-0104	10mm Lock Washer
7	2	201-0979	#12-14 x 1" Self Drilling Screw, ZP
8	2	101-5822	Adapter, 4 Way Connector
9	2	202-0047	#10-32 Hex Nut
10	2	203-0054	#10 Lock Washer
11	2	202-0192	#10-32 x 1/2 Slotted Round Head Screw



# General Information

1. Ensure that your product(s) are registered online at [www.blueox.com](http://www.blueox.com). It is crucial to register your product(s) so that you may be alerted of product offerings, updates, upgrades, maintenance and safety bulletins, and/or recalls.
2. **It is the owner's responsibility to inspect all towing equipment for cracked welds, missing or worn parts and loose bolts before each towing trip.** Be sure to use Loctite® Red on all bolts and tighten to the recommended specifications.
3. **It is the owner's responsibility to hook up all towing equipment per manufacturer's instructions/recommendations.**
4. Remove the attachment tabs when not in use (if applicable).

## Notice To Baseplate Installer

### 1. It is YOUR responsibility to watch for:

- Oil cooler and air conditioner lines
- Electrical wires and hoses
- Missing parts or attaching points on the frame

\*\* If the baseplate is improperly installed and is against a wire or hose, it could cause fluid leaks or electrical shorts some time after the actual baseplate installation.

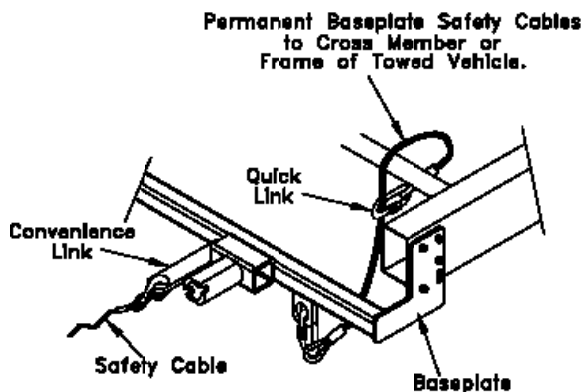
## Permanent Baseplate Safety Cable Installation

Permanent baseplate safety cables are strongly recommended when towing a vehicle with a tow bar. The principle function of the permanent baseplate safety cables is to prevent the towed vehicle from breaking loose in the event the connection between the frame of the towed vehicle and the baseplate fails or becomes disconnected. The cables must be connected from the baseplate to the frame rail or cross member of the vehicle's frame. The illustrations below show the possible arrangements recommended by Blue Ox®. Each permanent baseplate safety cable must have an adequate weight rating for the towing system. The weight rating of the two (2) cables together will not qualify.

***Do not mount the permanent baseplate safety cables against wires, hoses or brake lines.***

These permanent baseplate safety cables should remain installed as long as the baseplate is installed on the vehicle. Permanent baseplate safety cables are to be used in conjunction with, and NOT a replacement for legally required safety cables attaching the towed vehicle to the towing vehicle.

### OPTION #1



### OPTION #2

