



**Installation Instructions BX2309
Hyundai Accent 1999-2000**

Serial No.

The front bumper facia and headlights are removed also holes need to be drilled for baseplate installation.



Figure 1

1. Open the hood and remove the Phillip screws on the bumper facia. Figure 1.

2. Remove the screw holding the headlight assemblies and pull headlights out. Figure 2.



Figure 2

3. Once headlights are off, remove the Phillips head screw and 10mm Hex head bolt exposed (for each side). Figure 3.

4. Remove the Phillip head Screws from the bottom of the bumper facia. Figure 4.



Figure 3

5. Look up from bottom of facia and remove or cut plastic pins. These pins will not be replaced. Figure 5.

6. Pull fender molding back and remove Phillip head screw. Figure 6. Pull bumper facia from vehicle.



Figure 4

7. Remove each tie down bracket from vehicle. Figure 7. The fluid reservoir needs to be loosened for access to passenger side bolts. Figure 8.

8. Hold baseplate up to the vehicle so side plates are positioned over the holes from the tie down brackets and using four of the original bolts (two on each side) fasten the baseplate to the car. Figure 8.



Figure 5



Figure 6



Figure 7

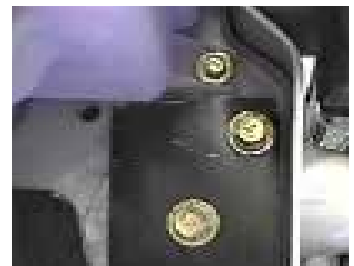


Figure 8

Automatic



Figure 9

9. Use baseplate as a template and drill 3/8" holes for the lower bracing. Figure 9. Use 3/8" hardware as shown in drawing on last page. Insert the wire nut plate through the opening next to drilled hole. Use Loctite on each bolt.



Figure 10

10. Follow same procedure as in step 9 for the upper braces. Figure 10. Tighten all bolts according to the Torque Chart in the General Instruction Sheet.



Figure 11

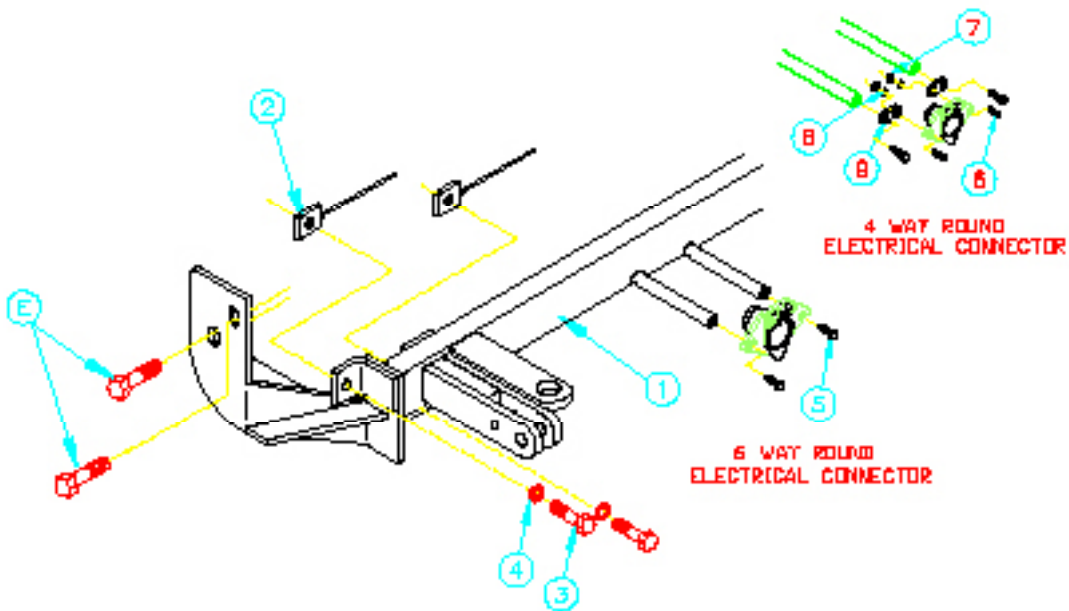
11. Replace bumper molding and headlight assemblies. DEALER OR INSTALLER: BE CERTAIN THE USER RECEIVES THE INSTRUCTION SHEET.

Tools Required

- | | | |
|-----------------------|----------------|--------------|
| 14MM Wrench | 9/16" Wrench | Loctite Blue |
| 10MM Wrench | 3/8" Drill Bit | Wire Cutter |
| Phillips Screw Driver | | |

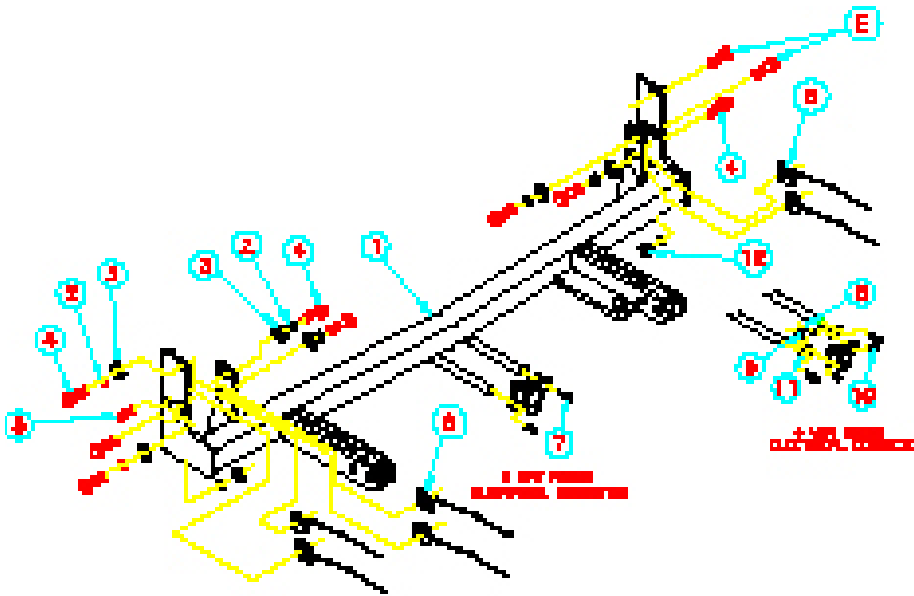
Parts List

Ref. No.	Qty.	Part No.	Description
1	1	61-5510	Weldment Baseplate, BX2309
2	4	61-5208	3/8 Nut Plate with Wire
3	4	201-0404	3/8 -16 x 1 3/4 Hex Bolt, Grade 5
4	4	203-0010	3/8 Lock Washer
5	2	201-0553	1/4-20 x 1/2 Self Tapping Hex Nut
6	2	201-0192	#10-32 x 1/2 Slot, Rd. Hd. Screw
7	2	202-0047	#10-32 Hex Nut
8	2	203-0054	#10 Lock Washer
9	2	101-5822	Adapter, 4 Way Connector
E	4		Existing Bolts, Tie Down Brackets



Parts List

Ref. No.	Qty.	Part No.	Description
1	1	61-5498	Weldment, Baseplate, BX3741
2	8	203-0010	3/8 Lock Washer, ZP
3	8	203-0003	3/8 Flat Washer, ZP
4	8	201-0368	3/8-16 x 1 1/4 Hex Bolt, Grade 5
5	1	201-0655	6MM-1 x 30 MM Hex Bolt, Grade 8.8
6	6	61-4092	3/8 Square Nut with Wire
7	2	201-0979	#12-14 x 1" Self Drilling Screw, ZP
8	2	202-0047	#10-32 Hex Nut
9	2	203-0054	#10 Lock washer
10	2	201-0192	#10-32 x 1/2 Slot, Rd. Hd Screw
11	2	101-5822	Adapter, 4 way Connector
12	2	202-0003	Hex Nut, ZP



General Information

1. Ensure that your product(s) are registered online at www.blueox.com. It is crucial to register your product(s) so that you may be alerted of product offerings, updates, upgrades, maintenance and safety bulletins, and/or recalls.
2. **It is the owner's responsibility to inspect all towing equipment for cracked welds, missing or worn parts and loose bolts before each towing trip.** Be sure to use Loctite® Red on all bolts and tighten to the recommended specifications.
3. **It is the owner's responsibility to hook up all towing equipment per manufacturer's instructions/recommendations.**
4. Remove the attachment tabs when not in use (if applicable).

Notice To Baseplate Installer

1. It is YOUR responsibility to watch for:

- Oil cooler and air conditioner lines
- Electrical wires and hoses
- Missing parts or attaching points on the frame

** If the baseplate is improperly installed and is against a wire or hose, it could cause fluid leaks or electrical shorts some time after the actual baseplate installation.

Permanent Baseplate Safety Cable Installation

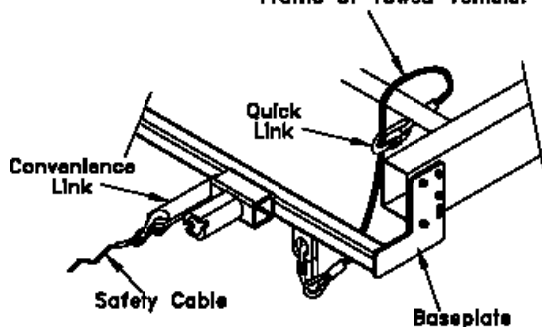
Permanent baseplate safety cables are strongly recommended when towing a vehicle with a tow bar. The principle function of the permanent baseplate safety cables is to prevent the towed vehicle from breaking loose in the event the connection between the frame of the towed vehicle and the baseplate fails or becomes disconnected. The cables must be connected from the baseplate to the frame rail or cross member of the vehicle's frame. The illustrations below show the possible arrangements recommended by Blue Ox®. Each permanent baseplate safety cable must have an adequate weight rating for the towing system. The weight rating of the two (2) cables together will not qualify.

Do not mount the permanent baseplate safety cables against wires, hoses or brake lines.

These permanent baseplate safety cables should remain installed as long as the baseplate is installed on the vehicle. Permanent baseplate safety cables are to be used in conjunction with, and NOT a replacement for legally required safety cables attaching the towed vehicle to the towing vehicle.

OPTION #1

Permanent Baseplate Safety Cables to Cross Member or Frame of Towed Vehicle.



OPTION #2

Permanent Baseplate Safety Cables to Cross Member or Frame of Towed Vehicle.

