



### BX2306 Installation Instructions 1996-98 Hyundai Accent

Utilization of Blue Ox baseplates with any tow bar not approved by Automatic Equipment Manufacturing Company invalidates the limited warranty.

Installation of this baseplate requires removing the plastic rock guards and the tie down brackets.

1. Read the General Instruction Sheet included with this baseplate.
2. The baseplate will utilize the tie down bracket holes and the cross member frame bolt holes.
3. Remove the Phillips screws that fasten the black rock guard. There are two screws and one bolt on each side of the vehicle. The bolt is located at the lower inside of the fender well. Use a 10mm wrench for this bolt. With the screws and bolts removed, pull down the black plastic so you have access to remove the tie down brackets. You will need a 14mm wrench or socket to remove these bolts (three with each bracket). It may be necessary to loosen the windshield washer reservoir to remove the passenger side tie down bracket. When facing the front of the vehicle, you will see two bolts that hold that hold a frame for the transmission. Remove the left side bolt only.
4. Position the baseplate to the frame so the holes on the side plates match the holes of the tie down brackets. Put the bolts (use existing bolts) on each end of the side plate, do not tighten. Use Loctite Blue with each bolt. Now bolt the center brace (using existing bolt) of the baseplate to the frame mount of the transmission. Tighten all the bolts.
5. Replace the plastic rock guards.
6. Install the tow bar and safety cables according to the instructions included in their packages.
7. Do not substitute other devices if the tow bar pin and clip are lost.
8. DEALER OR INSTALLER: BE CERTAIN THE USER RECEIVES THE INSTRUCTION SHEET.

#### Tools Required

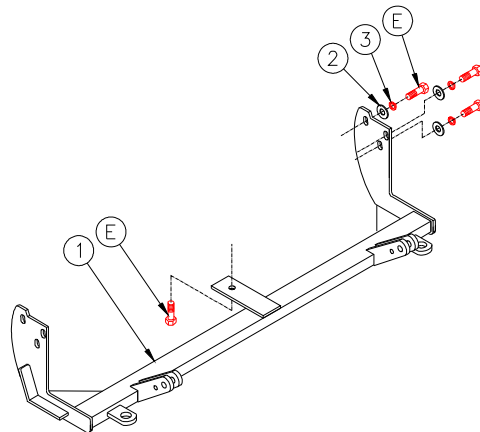
10mm Wrench  
Phillips Screwdriver

14mm Wrench

Loctite Blue

#### Parts List

Ref. No.	Qty.	Part No.	Description
1	1	61-5110.....	Baseplate Weldment, BX2306
2	6	203-0005.....	1/2" Flat Washer
3	6	203-0012.....	1/2" Lock Washer
4		.....	Existing Bolts



# Automatic

# General Information

1. Ensure that your product(s) are registered online at [www.blueox.com](http://www.blueox.com). It is crucial to register your product(s) so that you may be alerted of product offerings, updates, upgrades, maintenance and safety bulletins, and/or recalls.
2. **It is the owner's responsibility to inspect all towing equipment for cracked welds, missing or worn parts and loose bolts before each towing trip.** Be sure to use Loctite® Red on all bolts and tighten to the recommended specifications.
3. **It is the owner's responsibility to hook up all towing equipment per manufacturer's instructions/recommendations.**
4. Remove the attachment tabs when not in use (if applicable).

## Notice To Baseplate Installer

### 1. It is YOUR responsibility to watch for:

- Oil cooler and air conditioner lines
- Electrical wires and hoses
- Missing parts or attaching points on the frame

\*\* If the baseplate is improperly installed and is against a wire or hose, it could cause fluid leaks or electrical shorts some time after the actual baseplate installation.

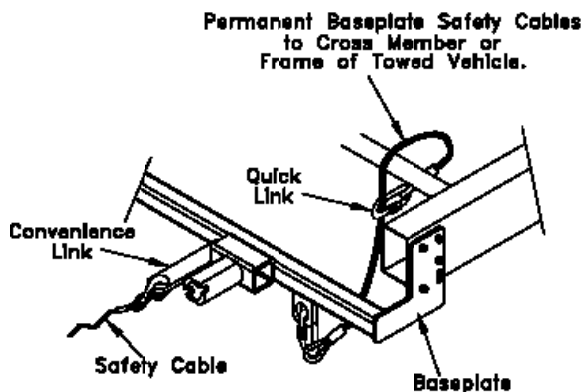
## Permanent Baseplate Safety Cable Installation

Permanent baseplate safety cables are strongly recommended when towing a vehicle with a tow bar. The principle function of the permanent baseplate safety cables is to prevent the towed vehicle from breaking loose in the event the connection between the frame of the towed vehicle and the baseplate fails or becomes disconnected. The cables must be connected from the baseplate to the frame rail or cross member of the vehicle's frame. The illustrations below show the possible arrangements recommended by Blue Ox®. Each permanent baseplate safety cable must have an adequate weight rating for the towing system. The weight rating of the two (2) cables together will not qualify.

***Do not mount the permanent baseplate safety cables against wires, hoses or brake lines.***

These permanent baseplate safety cables should remain installed as long as the baseplate is installed on the vehicle. Permanent baseplate safety cables are to be used in conjunction with, and NOT a replacement for legally required safety cables attaching the towed vehicle to the towing vehicle.

### OPTION #1



### OPTION #2

