



Strong As An Ox™

BX2219 Installation Instructions 1998-01 Honda Accord EX & LX (4 & 6 Cylinder), Not SE

Utilization of Blue Ox baseplates with any tow bar not approved by Blue Ox invalidates the limited warranty.

1. The front bumper molding and the plastic rock guard will need to be removed to install the baseplate to the vehicle. It will also be necessary to drill eight 13/32" holes in the frame. To replace the bumper, the outside lower edges of the grill openings will need to be trimmed. You may also find it necessary to trim the upper inside bumper molding, where the upper gussets mount. The attachment tabs will come through the lower grill opening.
2. Remove the rivets that connect the plastic fender well to the bumper molding and the middle plastic belly pan. The fender well does not need to come off, just give yourself enough room to reach inside the bumper molding to remove the bolt which connects the bumper molding and each front quarter panel. Use a 8mm wrench or socket for this bolt.
3. Lift hood and remove the two rivets fastened on the top of the bumper molding. Also remove the rivets on the bottom of the vehicle that hold the bumper molding and the middle belly pan. There are two 10mm bolts in the bottom corners of the bumper molding (by the front tires) that need to be removed. The bumper molding snaps into place, pull down on the back then out to remove it.
4. Hold the baseplate up to the vehicle so the middle brace can be mounted to the lower cross frame directly below the radiator, there will be an existing hole. Use a 3/8" bolt with one of the wire nuts and temporarily fasten it to the cross frame. Hold the baseplate so the upper braces are up against the metal bumper. Mark the holes (upper braces) and remove the baseplate. The dimensional variations between otherwise identical vehicles can be considerable. While the location and size of the holes in the baseplate were designed to allow easy installation, it may be necessary to file a hole slightly to allow a bolt to clear. Drill 13/32" holes and bolt the upper braces to the bumper. Insert the wire nuts through the side of the bumper. **USE LOCTITE RED ON EACH BOLT TO ENSURE THE BOLTS DO NOT LOOSEN WHILE VEHICLE IS BEING TOWED.** Tighten the bolts on the outside and center braces.
5. The holes for the side plate braces will also need to be drilled. Use the side plates as a template for drilling. Use the wire nut for the upper holes and whiz nuts for the lower two. **USE LOCTITE RED ON EACH BOLT.**
6. The lower openings in the grill need to be trimmed before the bumper can be replaced. Use a utility knife and trim about one inch around the outside edge. It may be helpful to trim the bumper where the upper braces are located the bumper molding will fit without trimming.
7. Included in the manual package is a dash decal for your car to remind you how to set up the transmission to tow. Place the decal on the dash of your Honda or on the tow bar or anywhere it will remind you to make sure your transmission will be properly shifted before you tow. Detailed instructions appear later in this instruction sheet.

8. Install the tow bar and safety cables according to the instructions included in their packages.
9. Do not substitute other devices if the tow bar pin and clip are lost.
10. **DEALER OR INSTALLER: BE CERTAIN THE USER RECEIVES THE INSTRUCTION SHEET.**

1989 & Newer Honda Automatics

All Honda and Acura automatic transmission vehicles, any model, any year, can be towed without special pumps or drive shaft disconnects. Please note however that Honda and Acura automatic transmissions for 1989 & newer were modified so they cannot be shifted rapidly from reverse to drive. Rapid shifting from reverse to drive can damage any automatic transmission.

Honda advises that the modification leaves a portion of the automatic transmission in reverse when it is only shifted from reverse to neutral. This partial neutral condition cannot be detected by revving the engine, because the car will not move even though a portion of the transmission is still in reverse. If the car is towed on all four wheels in this false-neutral condition, the automatic transmission will be damaged.

To make sure that the automatic transmission is completely in neutral, it must be shifted to drive and then to neutral before turning the engine off and towing the car on all four wheels. In other words, a 1989 and newer model Honda or Acura car equipped with an automatic transmission can be towed on all four wheels without damaging the transmission, if the transmission lever is shifted from the drive position to the neutral position before the engine is turned off. If the transmission lever is shifted from the reverse position to the neutral position, the automatic transmission will be damaged when the car is towed on all four wheels.

Tools Required

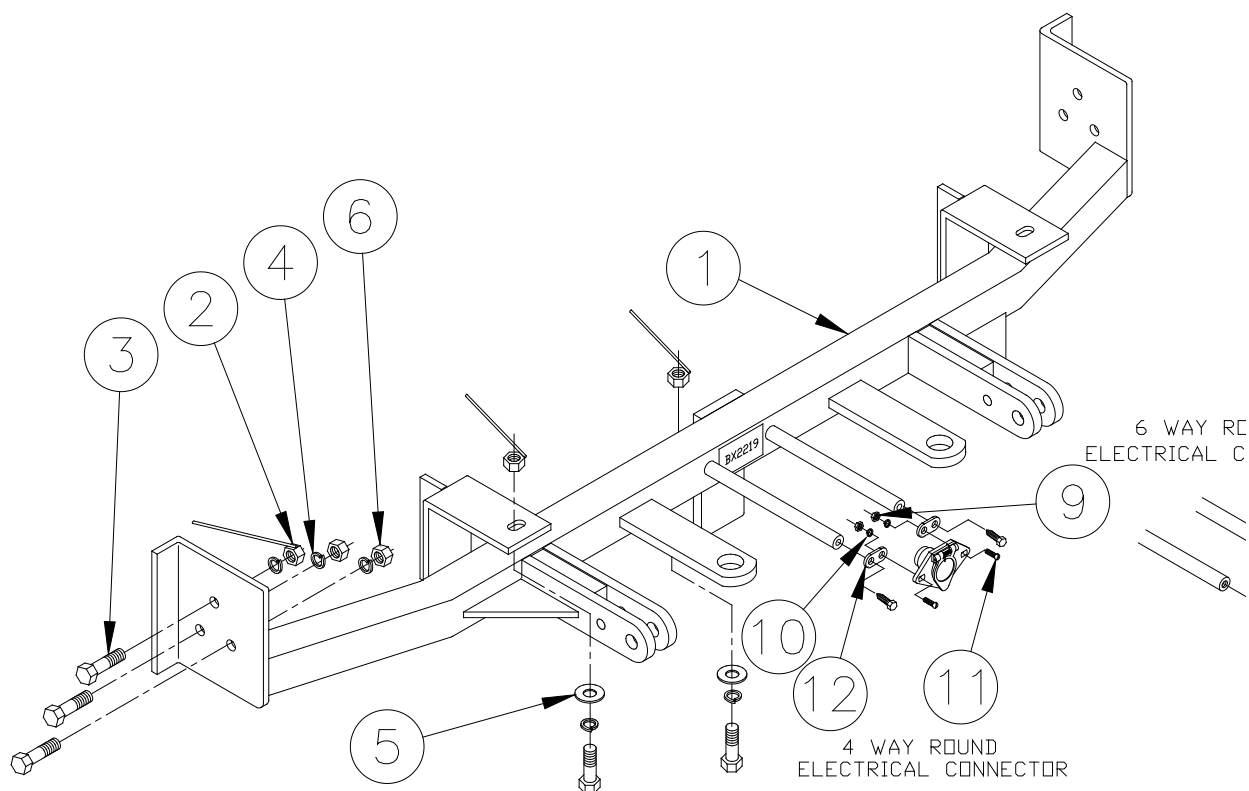
9/16" Wrench
Flat Head Screw Driver
Utility Knife

9/16" Socket
10MM Wrench
Drill

Loctite RED
8MM Wrench
13/32 Drill Bit

Parts List

Ref. No.	Qty.	Part No.	Description
1	1	61-5150	Baseplate, BX2219
2	5	61-4978	3/8 Wire Nut
3	9	201-0368	3/8-16 x 1 1/4, Hex Bolt
4	9	203-0010	3/8 Lock Washer
5	3	203-0003	3/8 Flat Washer
6	4	202-0003	3/8-16 Hex Nut
7	1	292-2127	(Not Shown) Decal, Honda Transmission Set-up
8	2	201-0979	#12-14 x 1" Self Drilling Screw, ZP
9	2	202-0047	#10-32 Hex Nut
10	2	203-0054	#10 Lock Washer
11	2	201-0192	#10-32 x 1/2 Slot, Rd. Hd. Screw
12	2	101-5822	Adapter, 4 Way Connector
	2	226-0046	Baseplate Safety Cable, 36" CL III (Not Shown)
	4	229-0359	Quicklink, 3/8, ZP (Not Shown)



General Information

1. Ensure that your product(s) are registered online at www.blueox.com. It is crucial to register your product(s) so that you may be alerted of product offerings, updates, upgrades, maintenance and safety bulletins, and/or recalls.
2. **It is the owner's responsibility to inspect all towing equipment for cracked welds, missing or worn parts and loose bolts before each towing trip.** Be sure to use Loctite® Red on all bolts and tighten to the recommended specifications.
3. **It is the owner's responsibility to hook up all towing equipment per manufacturer's instructions/recommendations.**
4. Remove the attachment tabs when not in use (if applicable).

Notice To Baseplate Installer

1. It is YOUR responsibility to watch for:

- Oil cooler and air conditioner lines
- Electrical wires and hoses
- Missing parts or attaching points on the frame

** If the baseplate is improperly installed and is against a wire or hose, it could cause fluid leaks or electrical shorts some time after the actual baseplate installation.

Permanent Baseplate Safety Cable Installation

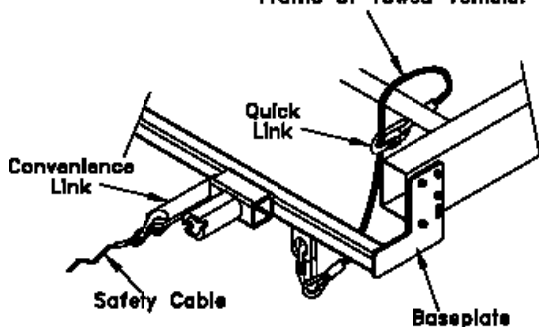
Permanent baseplate safety cables are strongly recommended when towing a vehicle with a tow bar. The principle function of the permanent baseplate safety cables is to prevent the towed vehicle from breaking loose in the event the connection between the frame of the towed vehicle and the baseplate fails or becomes disconnected. The cables must be connected from the baseplate to the frame rail or cross member of the vehicle's frame. The illustrations below show the possible arrangements recommended by Blue Ox®. Each permanent baseplate safety cable must have an adequate weight rating for the towing system. The weight rating of the two (2) cables together will not qualify.

Do not mount the permanent baseplate safety cables against wires, hoses or brake lines.

These permanent baseplate safety cables should remain installed as long as the baseplate is installed on the vehicle. Permanent baseplate safety cables are to be used in conjunction with, and NOT a replacement for legally required safety cables attaching the towed vehicle to the towing vehicle.

OPTION #1

Permanent Baseplate Safety Cables to Cross Member or Frame of Towed Vehicle.



OPTION #2

Permanent Baseplate Safety Cables to Cross Member or Frame of Towed Vehicle.

