



BX2162 Installation Instructions

Serial No.

2001 Mercury Villager, V-6/ 3.3L.

Strong As An Ox™

The front fascia and blinker assembly are removed for baseplate installation. There are **NO** holes to be drilled and **NO** trimming. The attachment tabs are 24 inches center to center and at 15 inches height. The BX8869 is recommended for this base plate, see photo on page 2. Model notes: 57



1. Remove the four phillips head push pins from the top side of grill.



2. Remove blinker assembly, one phillip screw, pull blinker assembly forward, disconnect electrical, and set aside (both sides).



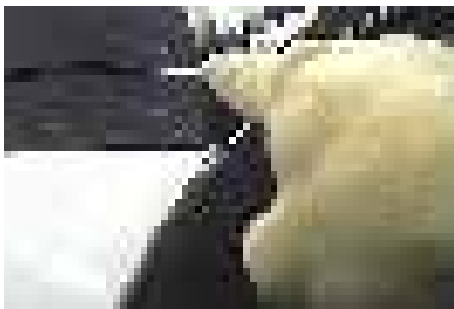
3. Just under blinker assembly remove one phillip head push pin, both sides.



4. Forward of front tires remove one phillip screw both sides.



5. Just under fascia ends are two phillips screws to remove, both sides. Remove four push pins on the underside of fascia.



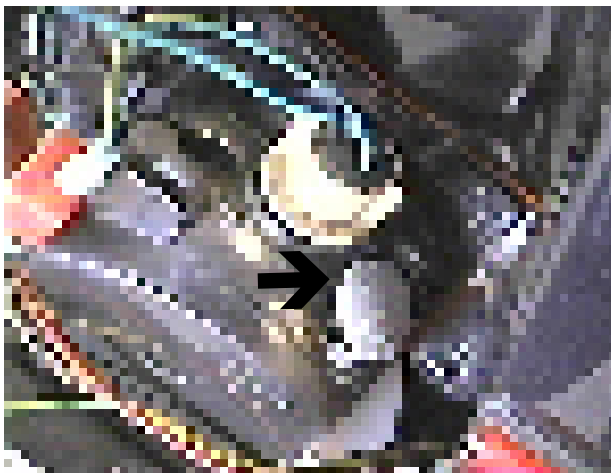
6. Pull wheel well black plastic back and remove two metric bolts with the 10MM socket where the fascia and bumper meet, both sides. Pull fascia forward and set aside.



Strong As An Ox™



7. Remove tie down brackets with the 14MM socket, three metric bolts, each side. The tie down brackets will **not** be reinstalled.
8. Hold baseplate into position and install items 2, 3, and 4, both sides. **Be sure and use loctite on all bolts before tightening.**
9. Reinstall blinker assembly and fascia. Be sure all electrical components are reconnected.
10. The dimensional variations between otherwise identical cars can be considerable. While the location and size of the holes in the baseplate were designed to allow for easy installation, it may be necessary to file a hole slightly to allow a bolt to clear.
11. Install the tow bar and safety cables according to the instructions included in their packages.
12. Do **not** substitute other devices if the tow bar pin and clip are lost.
13. **DEALER OR INSTALLER: BE CERTAIN THE USER RECEIVES THE INSTRUCTION SHEET.**



Location for the
BX8869
(photo to the
left).



Tools Required

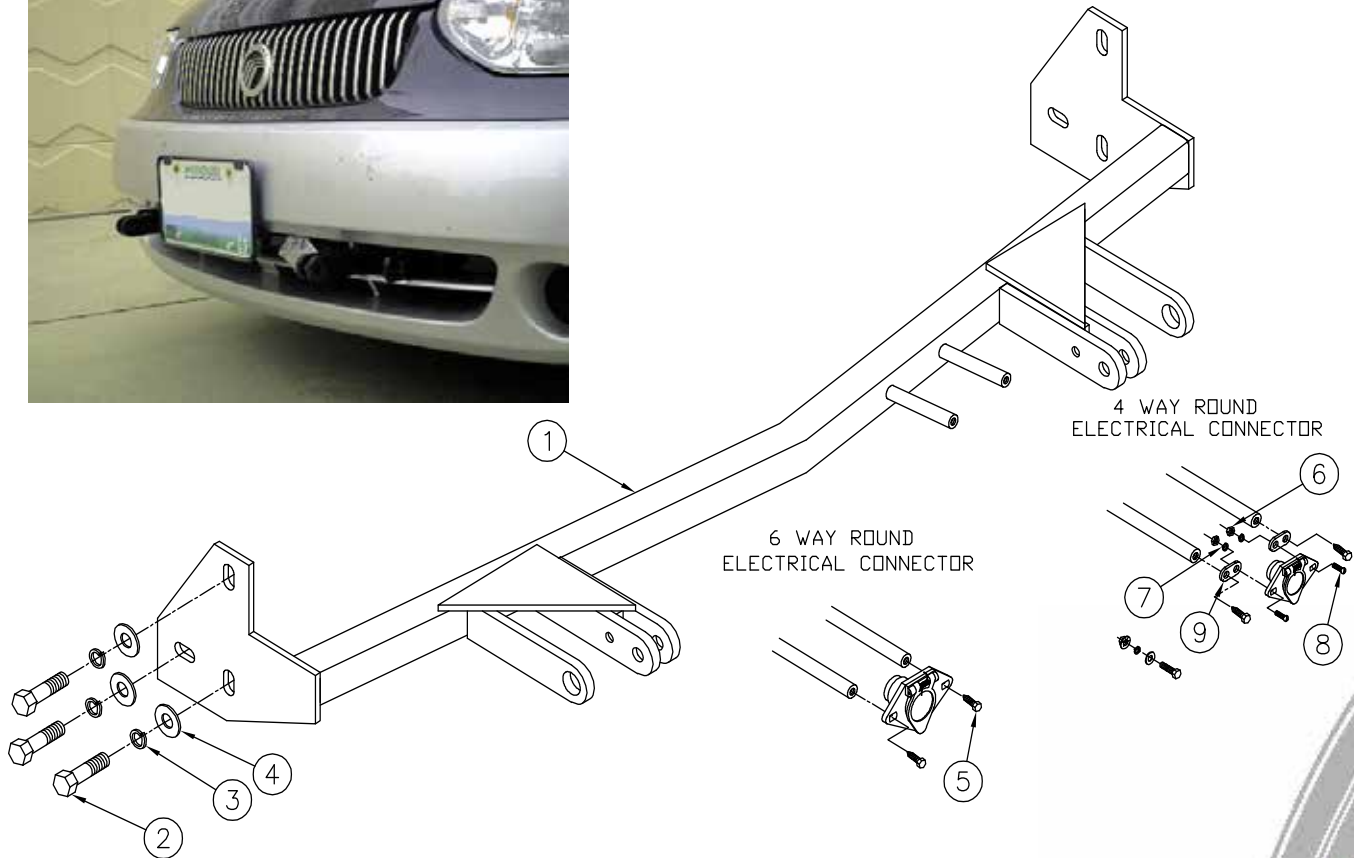
10MM Socket
14MM Socket

Loctite Blue
Phillips Screw Driver

Vise Grips

Parts List

Ref. No.	Qty.	Part No.	Description
1	1	61-5633	Weldment, Base Plate, BX2162
2	6	201-0423	10MM-1.25 x 35MM, Hex Bolt, Grd. 8.8, ZP
3	6	203-0104	10MM Lock Washer, ZP
4	6	203-0103	10MM Flat Washer, ZP
5	2	201-0979	#12-14 x 1" Self Drilling Screw, ZP
6	2	202-0047	#10-32 Hex Nut
7	2	203-0054	#10 Lock Washer
8	2	201-0192	#10-32 x 1/2 Slot, Rd. Hd. Screw
9	2	101-5822	Adapter, 4 Way Connector



IMPORTANT: Use only genuine factory replacement parts on your Base Plate. Do not substitute homemade or nontypical parts. If a bolt is lost or in need of replacement, for your safety and the preservation of your Base Plate, be sure to use a replacement bolt of the same grade (Usually Grade 5, refer to parts list). Repair parts may be ordered through your nearest **Blue Ox** dealer or distributor.

General Information

1. Ensure that your product(s) are registered online at www.blueox.com. It is crucial to register your product(s) so that you may be alerted of product offerings, updates, upgrades, maintenance and safety bulletins, and/or recalls.
2. **It is the owner's responsibility to inspect all towing equipment for cracked welds, missing or worn parts and loose bolts before each towing trip.** Be sure to use Loctite® Red on all bolts and tighten to the recommended specifications.
3. **It is the owner's responsibility to hook up all towing equipment per manufacturer's instructions/recommendations.**
4. Remove the attachment tabs when not in use (if applicable).

Notice To Baseplate Installer

1. It is YOUR responsibility to watch for:

- Oil cooler and air conditioner lines
- Electrical wires and hoses
- Missing parts or attaching points on the frame

** If the baseplate is improperly installed and is against a wire or hose, it could cause fluid leaks or electrical shorts some time after the actual baseplate installation.

Permanent Baseplate Safety Cable Installation

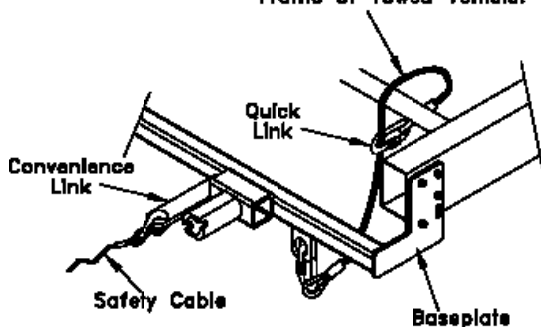
Permanent baseplate safety cables are strongly recommended when towing a vehicle with a tow bar. The principle function of the permanent baseplate safety cables is to prevent the towed vehicle from breaking loose in the event the connection between the frame of the towed vehicle and the baseplate fails or becomes disconnected. The cables must be connected from the baseplate to the frame rail or cross member of the vehicle's frame. The illustrations below show the possible arrangements recommended by Blue Ox®. Each permanent baseplate safety cable must have an adequate weight rating for the towing system. The weight rating of the two (2) cables together will not qualify.

Do not mount the permanent baseplate safety cables against wires, hoses or brake lines.

These permanent baseplate safety cables should remain installed as long as the baseplate is installed on the vehicle. Permanent baseplate safety cables are to be used in conjunction with, and NOT a replacement for legally required safety cables attaching the towed vehicle to the towing vehicle.

OPTION #1

Permanent Baseplate Safety Cables to Cross Member or Frame of Towed Vehicle.



OPTION #2

Permanent Baseplate Safety Cables to Cross Member or Frame of Towed Vehicle.

