



Strong As An Ox™

BX2152 Installation Instructions

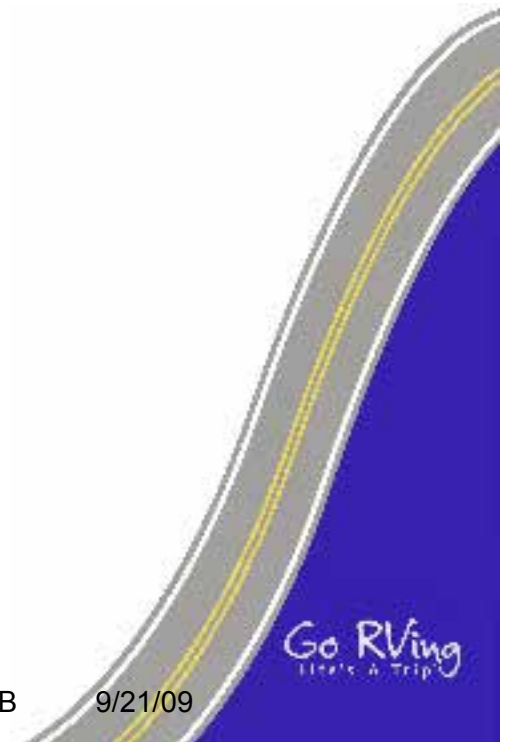
Ford Explorer Sport (With Standard Tow Hooks) 2002-03
Ford Explorer SportTrac (With Standard Tow Hooks) 2001-03

The baseplate mounts to the tow hooks using four bolts provided in the baseplate. Because of the variation of weights for the trucks being close to or over 5,000 lbs. , this baseplate is designed for a Class IV rated tow bar only.

1. Hold the baseplate (Item 1) up to the bottom of the tow hooks so the inserts fit inside the tow hooks on the truck. **NOTE: It may be necessary to loosen and adjust the tow hooks so the inserts fit. Tighten tow hook bolts after adjusting.**
2. Place the top plates (Item 2) over each tow hook and thread the 7/16" bolts into the baseplate insert as shown in the diagram. Be sure to use Loctite on each bolt.
3. Once all four bolts are started into the baseplate, tighten according to the Torque Chart in the General Instruction Sheet.
4. If the tow hooks are tilted, use the large spacer on the back hole of each tow hook to make level. See Figure 1. To get access to the tow hook, the belly pan needs to be removed.
5. DEALER OR INSTALLER: BE CERTAIN THE USER RECEIVES THE INSTRUCTION SHEET.



Figure 1



Tools Required

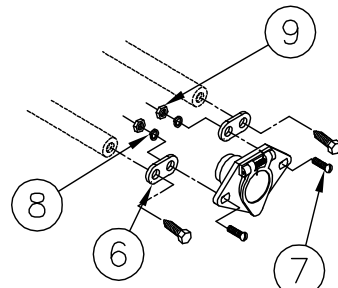
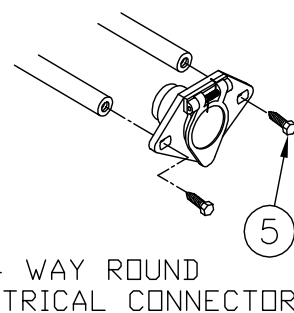
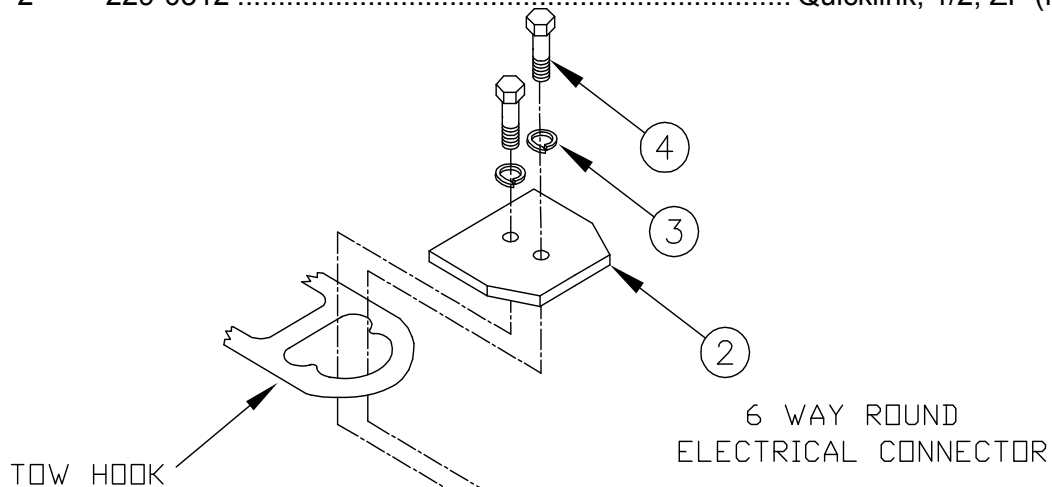
18MM Wrench
11/16" Wrench

7/16" Wrench
Flat Screwdriver

Loctite

Parts List

Ref. No.	Qty.	Part No.	Description
1	1	61-5466	Baseplate, BX2152
2	2	102-5937	Top Plate, BX2152
3	4	201-0552	7/16-14 x 2 Hex Head Bolt, Grade 5
4	4	203-0011	7/16" Lock Washer
5	2	201-0979	#12-14 x 1" Self Drilling Screw, ZP
6	2	101-5822	Adapter, Four Way Electrical Connector
7	2	201-0192	#10 - 32 x 1/2" Slotted Screw
8	2	203-0054	#10 Lock Washer
9	2	202-0047	#10 Hex Nut
	2	101-5147	Spacer Plate, 1/2 Hole, ID, (Not Shown)
	2	226-0049	Baseplate Safety Cable, 36" CL IV (Not Shown)
	2	229-0512	Quicklink, 1/2, ZP (Not Shown)



General Information

1. Ensure that your product(s) are registered online at www.blueox.com. It is crucial to register your product(s) so that you may be alerted of product offerings, updates, upgrades, maintenance and safety bulletins, and/or recalls.
2. **It is the owner's responsibility to inspect all towing equipment for cracked welds, missing or worn parts and loose bolts before each towing trip.** Be sure to use Loctite® Red on all bolts and tighten to the recommended specifications.
3. **It is the owner's responsibility to hook up all towing equipment per manufacturer's instructions/recommendations.**
4. Remove the attachment tabs when not in use (if applicable).

Notice To Baseplate Installer

1. It is YOUR responsibility to watch for:

- Oil cooler and air conditioner lines
- Electrical wires and hoses
- Missing parts or attaching points on the frame

** If the baseplate is improperly installed and is against a wire or hose, it could cause fluid leaks or electrical shorts some time after the actual baseplate installation.

Permanent Baseplate Safety Cable Installation

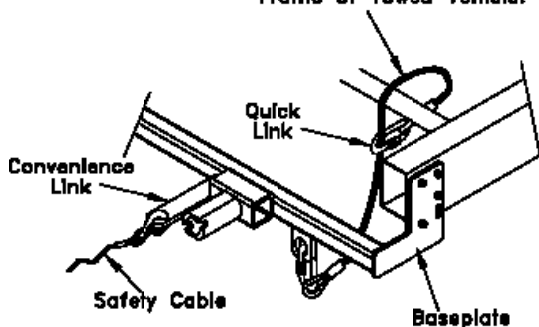
Permanent baseplate safety cables are strongly recommended when towing a vehicle with a tow bar. The principle function of the permanent baseplate safety cables is to prevent the towed vehicle from breaking loose in the event the connection between the frame of the towed vehicle and the baseplate fails or becomes disconnected. The cables must be connected from the baseplate to the frame rail or cross member of the vehicle's frame. The illustrations below show the possible arrangements recommended by Blue Ox®. Each permanent baseplate safety cable must have an adequate weight rating for the towing system. The weight rating of the two (2) cables together will not qualify.

Do not mount the permanent baseplate safety cables against wires, hoses or brake lines.

These permanent baseplate safety cables should remain installed as long as the baseplate is installed on the vehicle. Permanent baseplate safety cables are to be used in conjunction with, and NOT a replacement for legally required safety cables attaching the towed vehicle to the towing vehicle.

OPTION #1

Permanent Baseplate Safety Cables to Cross Member or Frame of Towed Vehicle.



OPTION #2

Permanent Baseplate Safety Cables to Cross Member or Frame of Towed Vehicle.

