



## Installation Instructions BX2151 Ford Escort SE 1998-99

Serial No.

The front bumper fascia and the lower rock guards need to be removed for installation of this baseplate. The inner grill molding may need to be trimmed.

1. Open the hood and remove the hex head bolts that are on each end of the colored fascia. Remove the Phillips head plastic pin.
2. Remove the screws that are just forward of the front tires holding the bumper fascia and fender well molding together (both sides).
3. Pull the molding out to get to a hex head bolt fastening the fenders and the bumper fascia. Forward of these bolts are two more (vertically positioned). On the bottom of the fascia by the fender well molding is a bolt which needs to be removed also. Do this for both sides. Pull the bumper molding off. If the vehicle has fog lights disconnect the electrical wiring before pulling off the bumper fascia.
4. Extending down from the frame are tow hooks. Surrounding each tow hook are plastic guards held to the frame by hex head bolts. Remove each plastic piece and set aside for the baseplate installation.
5. Hold the baseplate up so the side plates are positioned on the outside of the tow hooks. **NOTE:** Do not bolt the baseplate to the bottom slotted hole, use the upper two holes on the tow hooks. Insert the 7/16" bolts with flat and lock washers through the baseplate and the tow hooks, apply Loctite to each bolt and thread a 7/16" nut to each bolt. Torque each nut according to the chart in the General Instruction sheet.
6. Replace the bottom rock guards and the bumper fascia to their original position. Connect electrical if necessary.
7. Do not substitute other devices if the tow bar pin and clip are lost.
8. DEALER OR INSTALLER: BE CERTAIN THE USER RECEIVES THE INSTRUCTION SHEET.



*Figure 1*

# Automatic

## Tools Required

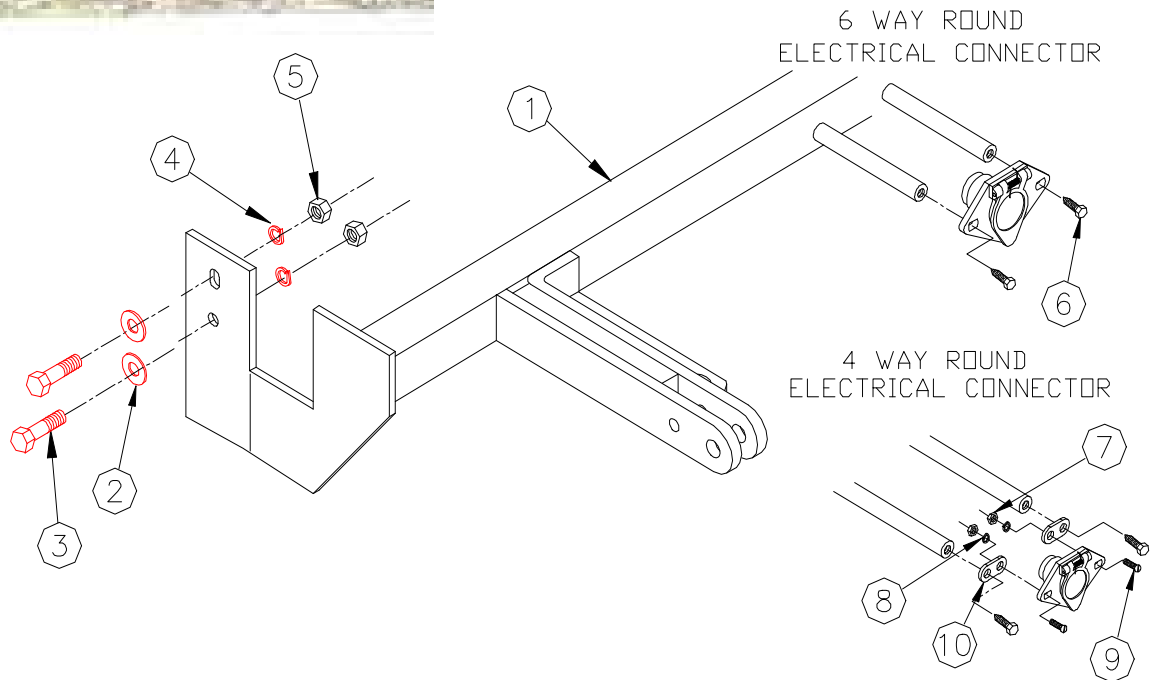
10MM Wrench  
5/8" Wrench

8MM Wrench  
Phillips Screw Driver

Loctite Blue  
5/8" Socket

## Parts List

Ref. No.	Qty.	Part No.	Description
1	1	61-5455	Weldment, Baseplate BX2151
2	4	203-0004	7/16 Flat Washer
3	4	201-0416	7/16-14 x 1 1/2 Hex Bolt, Grade 5
4	4	203-0011	7/16 Lock Washer
5	4	202-0004	7/16-14 Hex Nut, ZP
6	2	201-0979	#12-14 x 1" Self Drilling Screw, ZP
7	2	202-0047	#10-32 Hex Nut
8	2	203-0054	#10 Lock Washer
9	2	201-0192	#10-32 x 1/2 Slot, Round Head Screw
10	2	101-5822	Adapter, 4 Way Connector



# General Information

1. Ensure that your product(s) are registered online at [www.blueox.com](http://www.blueox.com). It is crucial to register your product(s) so that you may be alerted of product offerings, updates, upgrades, maintenance and safety bulletins, and/or recalls.
2. **It is the owner's responsibility to inspect all towing equipment for cracked welds, missing or worn parts and loose bolts before each towing trip.** Be sure to use Loctite® Red on all bolts and tighten to the recommended specifications.
3. **It is the owner's responsibility to hook up all towing equipment per manufacturer's instructions/recommendations.**
4. Remove the attachment tabs when not in use (if applicable).

## Notice To Baseplate Installer

### 1. It is YOUR responsibility to watch for:

- Oil cooler and air conditioner lines
- Electrical wires and hoses
- Missing parts or attaching points on the frame

\*\* If the baseplate is improperly installed and is against a wire or hose, it could cause fluid leaks or electrical shorts some time after the actual baseplate installation.

## Permanent Baseplate Safety Cable Installation

Permanent baseplate safety cables are strongly recommended when towing a vehicle with a tow bar. The principle function of the permanent baseplate safety cables is to prevent the towed vehicle from breaking loose in the event the connection between the frame of the towed vehicle and the baseplate fails or becomes disconnected. The cables must be connected from the baseplate to the frame rail or cross member of the vehicle's frame. The illustrations below show the possible arrangements recommended by Blue Ox®. Each permanent baseplate safety cable must have an adequate weight rating for the towing system. The weight rating of the two (2) cables together will not qualify.

***Do not mount the permanent baseplate safety cables against wires, hoses or brake lines.***

These permanent baseplate safety cables should remain installed as long as the baseplate is installed on the vehicle. Permanent baseplate safety cables are to be used in conjunction with, and NOT a replacement for legally required safety cables attaching the towed vehicle to the towing vehicle.

### OPTION #1

Permanent Baseplate Safety Cables to Cross Member or Frame of Towed Vehicle.



### OPTION #2

Permanent Baseplate Safety Cables to Cross Member or Frame of Towed Vehicle.

