

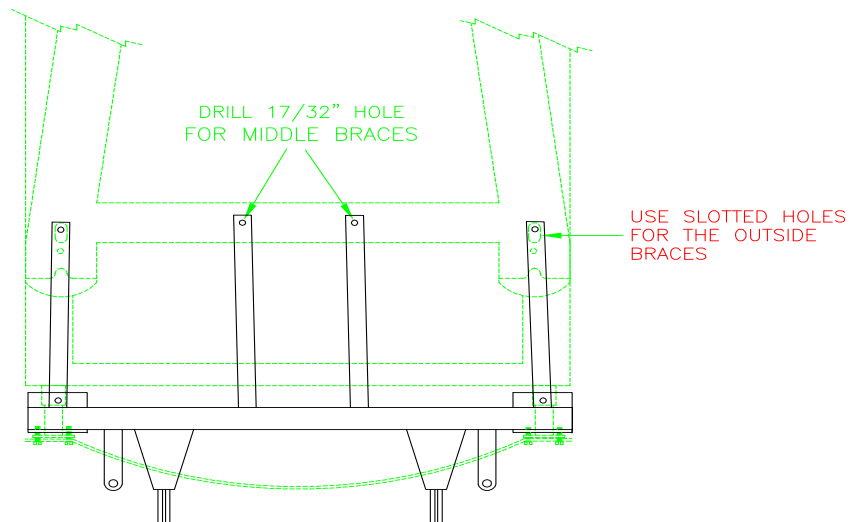


## BX2133 Installation Instructions 1994 Lincoln Continental

These vehicles weigh over 3500 lbs and require a Class III (5000 lbs) rated tow bar, hitch, and accessories. Utilization of Blue Ox baseplates with any tow bar not approved by Automatic Equipment Mfg. Co. invalidates the limited warranty.

1. Read the General Instruction Sheet included with this baseplate.
2. The baseplate (Item 1) will bolt to the bottom bolts of the front fender bolt assembly (there are four bolts on each assembly). The braces (Item 2) will bolt to the rear of the baseplate and extend back to the main cross frame of the car. Holes will need to be drilled for the two middle braces and the outside braces will use existing holes of the main cross frame. **Note: When tightening bolts, use Loctite Blue to ensure the nuts will not loosen while vehicle is being towed.**

3. Remove the two bottom bolts from each end of the front fender bolt assemblies. There may be inserts that are placed in between the steel frame and the plastic frame of the bumper. You will need to remove these inserts. Use the 3/8 x 1 3/4 bolts (Item 11) along with the washers (Items 12 and 13) and nuts (Item 14) to bolt the baseplate to the bumper assembly. Tighten the bolts.



4. The center braces will extend back to the main cross frame. Use the holes of the baseplate as a guide for drilling 17/32" holes in the cross frame. After the holes have been drilled, use the 1/2 x 1 1/2" bolts (Item 7) along with lock washers (Items 8) and the 1/2" wire nuts (Item 9) to bolt the braces to the frame.
5. The straight outside braces (Item 2) will bolt to the bottom of the baseplates main braces using the 1/2" bolts, nuts and washers (Items 7, 8 and 10). The other end of the braces will use the slotted holes on the underside of the main frame. Use the 5/8" wirebolts, nuts and washers (Items 4, 5 and 6).
6. The dimensional variations between otherwise identical cars can be considerable. While the location and size of the holes in the baseplate were designed to allow for easy installation, it may be necessary to file a hole slightly to allow a bolt to clear.
7. Install the tow bar and safety cables according to the instructions included in their packages.
8. Do not substitute other devices if the tow bar pin and clip are lost.
9. **DEALER OR INSTALLER: BE CERTAIN THE USER RECEIVES THE INSTRUCTION SHEET.**

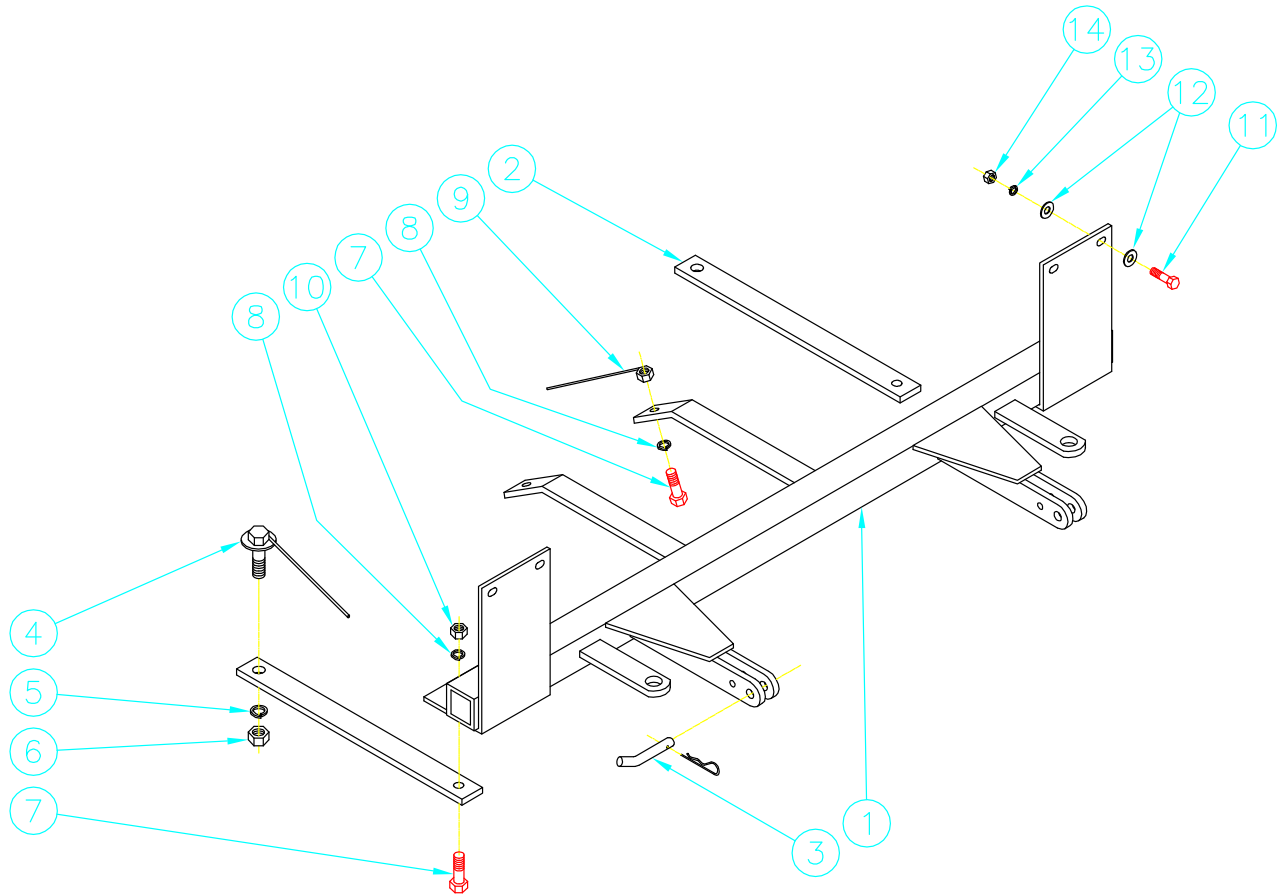
# Automatic

### Tools Required

9/16" Wrench  
17/32" Drill Bit

3/4" Wrench  
Drill

7/8" Wrench  
Loctite Blue



### Parts List

Ref. No.	Qty.	Part No.	Description
1	1	61-5127	Baseplate Weldment
2	2	102-5352	Outside Brace
3	2	61-5180	5/8" Wire Bolt
4	2	203-0013	5/8" Lock Washer
5	2	202-0008	5/8" Hex Nut
6	4	201-0051	1 x 1 1/2" Hex Bolt
7	4	203-0012	1/2" Lock Washer
8	2	61-4029	1/2" Wire Nut
9	2	202-0005	1/2" Hex Nut
10	4	201-0404	3/8 x 1 3/4" Hex Nut
11	8	203-0003	3/8" Flat Washer
12	4	203-0010	3/8" Lock Washer
13	4	202-0003	3/8" Hex Nut
	2	226-0046	Baseplate Safety Cable, 36" CL III (Not Shown)
	2	229-0359	Quicklink, 3/8, ZP (Not Shown)

# General Information

1. Ensure that your product(s) are registered online at [www.blueox.com](http://www.blueox.com). It is crucial to register your product(s) so that you may be alerted of product offerings, updates, upgrades, maintenance and safety bulletins, and/or recalls.
2. **It is the owner's responsibility to inspect all towing equipment for cracked welds, missing or worn parts and loose bolts before each towing trip.** Be sure to use Loctite® Red on all bolts and tighten to the recommended specifications.
3. **It is the owner's responsibility to hook up all towing equipment per manufacturer's instructions/recommendations.**
4. Remove the attachment tabs when not in use (if applicable).

## Notice To Baseplate Installer

### 1. It is YOUR responsibility to watch for:

- Oil cooler and air conditioner lines
- Electrical wires and hoses
- Missing parts or attaching points on the frame

\*\* If the baseplate is improperly installed and is against a wire or hose, it could cause fluid leaks or electrical shorts some time after the actual baseplate installation.

## Permanent Baseplate Safety Cable Installation

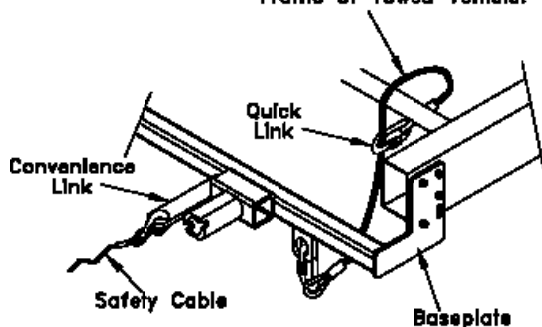
Permanent baseplate safety cables are strongly recommended when towing a vehicle with a tow bar. The principle function of the permanent baseplate safety cables is to prevent the towed vehicle from breaking loose in the event the connection between the frame of the towed vehicle and the baseplate fails or becomes disconnected. The cables must be connected from the baseplate to the frame rail or cross member of the vehicle's frame. The illustrations below show the possible arrangements recommended by Blue Ox®. Each permanent baseplate safety cable must have an adequate weight rating for the towing system. The weight rating of the two (2) cables together will not qualify.

***Do not mount the permanent baseplate safety cables against wires, hoses or brake lines.***

These permanent baseplate safety cables should remain installed as long as the baseplate is installed on the vehicle. Permanent baseplate safety cables are to be used in conjunction with, and NOT a replacement for legally required safety cables attaching the towed vehicle to the towing vehicle.

### OPTION #1

Permanent Baseplate Safety Cables to Cross Member or Frame of Towed Vehicle.



### OPTION #2

Permanent Baseplate Safety Cables to Cross Member or Frame of Towed Vehicle.

