



BX1844

2009-14 Nissan Cube Installation Instructions

Attachment Tab Height: 15"

Attachment Tab Width: 22"

Serial Number

Please read BOTH these Installation Instructions and the General Instructions prior to installing or operating this equipment.

- Blue Ox® towing products and accessories are intended to be installed by Blue Ox® Dealers who are familiar with our products and have the equipment and knowledge necessary to do "fit work". If needed, Blue Ox® Dealers can be found at www.blueox.com or by contacting our Customer Care Department at (402) 385-3051.
- Many Blue Ox® baseplates are designed to use existing holes and hardware to mount the baseplate to the towed vehicle. Even though bolts are there, do not assume they are adequate for baseplate mounting. Always use the hardware supplied in the hardware kit and existing hardware as specified in the installation instructions.



If the front of your vehicle looks different than this, please contact us at (402)385-3051.

Reference your vehicle owner's manual for manufacturer's towing specifications.

Bolt Torque Specifications

Torque in Foot-Pounds for Inch Bolts

Bolt Size	Grade 5	Grade 8
1/4"	10	14
5/16"	19	29
3/8"	33	47
7/16"	54	78
1/2"	78	119
5/8"	154	230
3/4"	257	380

Bolt Torque Specifications

Torque in Foot-Pounds for Metric Bolts

Bolt Size	Grade 8.8	Grade 10.9
6MM	6	8
8MM	16	22
10MM	31	40
12MM	54	70
14MM	89	117
16MM	161	230
18MM	222	318



WARNING

Failure to read and follow these instructions could result in separation of the towed vehicle from the tow bar, causing property damage, loss of towed vehicle, personal injury or death.

BX1844
2009-14 Nissan Cube
Installation Instructions

Instruction Notes: The fascia, bumper, frame extensions and windshield washer fluid reservoir are removed and reinstalled for the baseplate installation. Some drilling and trimming is required.

Place all components that are removed on a flat, sturdy surface. All items will be reinstalled unless otherwise noted after the baseplate is installed.

The dimensional variations between otherwise identical vehicles can be considerable. While the baseplate was designed for easy installation, it may be necessary to tailor the baseplate slightly to compensate for vehicle manufacturer's tolerances.

The BX8869 Tail Light Wiring Kit is recommended for this vehicle.



Drill a hole according to the tail
light wiring kit instructions.

NOTICE

- Handling of some cosmetic parts when installing this product may require the use of protective covers, rags, specialty tools, etc. to prevent damage.
- When using power drills be aware of the dangers of torque and drill bit length.
- When using a reciprocating saw be aware of objects behind the cutting surface.
- Use a good quality paint to spray cut edges of frame to prevent rusting.
- Be sure that **ALL** electrical connections are plugged in and accessories are functioning properly before reinstalling the fascia.
- The baseplate is computer tested to your vehicle's GVWR, exceeding this weight will void the manufacturer's warranty.
- Be sure to use Loctite® Red on all bolts before tightening. Tighten all bolts according to the torque chart provided.
- Dealer or installer be certain the user receives these instruction sheets.
- If the baseplate is in an accident, it must be replaced. **DO NOT** use it again! An accident can cause unseen damage and using it again could result in more damage or serious injury. **DO NOT** use the baseplate if it is damaged or missing parts.

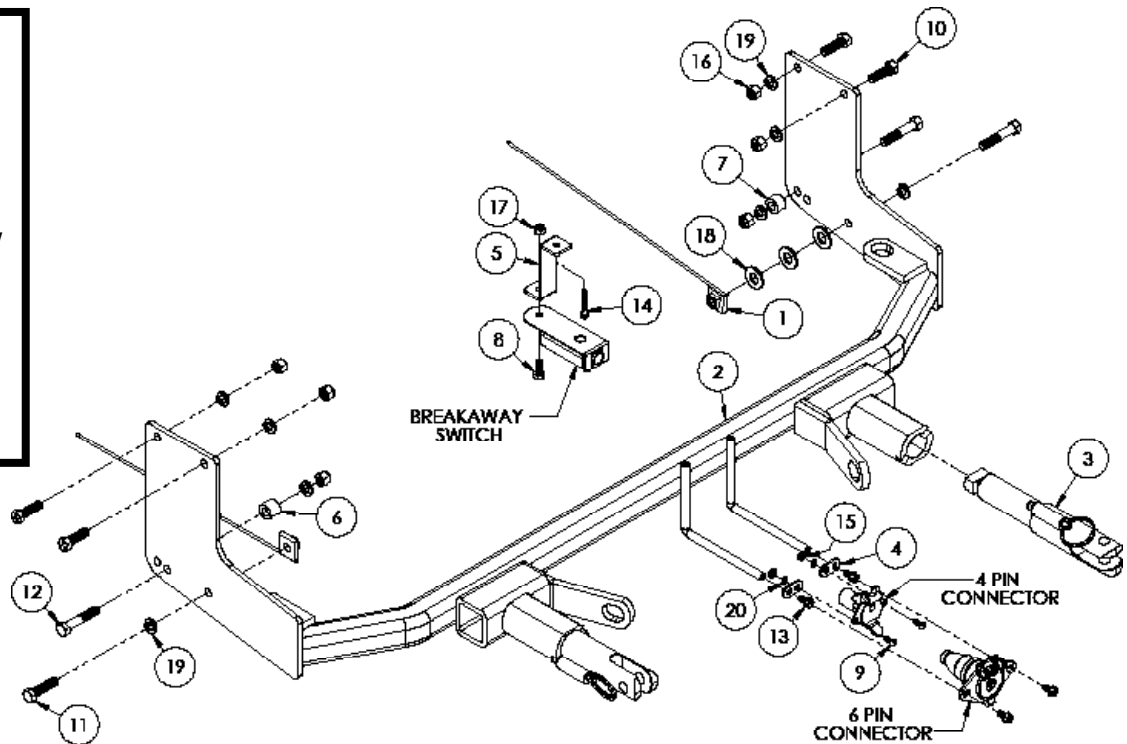
BX1844

2009-14 Nissan Cube

Installation Instructions

Tools Required

Large Vise Grip
 Flat Screwdriver
 Utility Knife
 Torque Wrench
 Drill
 Reciprocating Saw
 Loctite® RED
 13/32" Drill Bit
 10MM Socket
 12MM Socket
 14MM Socket
 9/16" Socket
 9/16" Wrench



Item No.	Part No.	Description	Qty.
1	61-5208	3/8"-16 Nut Plate w/ 14" Wire	2
2	61-6709	BX1844 Baseplate	1
3	62-3469	Attachment Tab Assembly with Hole	2
4	101-5822	4 Way Connector Adapter	2
5	102-7168	Breakaway Bracket	1
6	107-3038	PS Spacer Tube	1
7	107-3117	DS Spacer Tube	1
8	201-0050	1/4"-20 x 3/4" Hex Head Bolt, Grade 5, ZP	1
9	201-0192	#10-32 1/2" Round Slotted Head Screw	2
10	201-0368	3/8"-16 x 1-1/4" Hex Head Bolt, Grade 5, ZP	4
11	201-0440	3/8"-16 x 1-1/2" Hex Head Bolt, Grade 5, ZP	1
12	201-0444	3/8"-16 x 2" Hex Head Bolt, Grade 5, ZP	3
13	201-0979	#12-14 x 1" Self Drilling Screw, ZP	2
14	201-0654	#10-16 x 1" Self Drilling Screw, ZP	1
15	202-0047	#10-32 Hex Nut	2
16	202-0090	3/8"-16 Hex Nylon Insert Lock Nut, ZP	6
17	202-0102	1/4"-20 Hex Nylon Nut, ZP	1
18	203-0005	1/2" Flat Washer, ZP	3
19	203-0010	3/8" Lock Washer, ZP	8
20	203-0054	#10 Lock Washer, ZP	2
21	226-0046(not shown)	Class III Safety Cables	2
22	229-0359(not shown)	3/8" Quicklink, ZP	4
23	290-0437(not shown)	Black Cap Plug Receiver	2

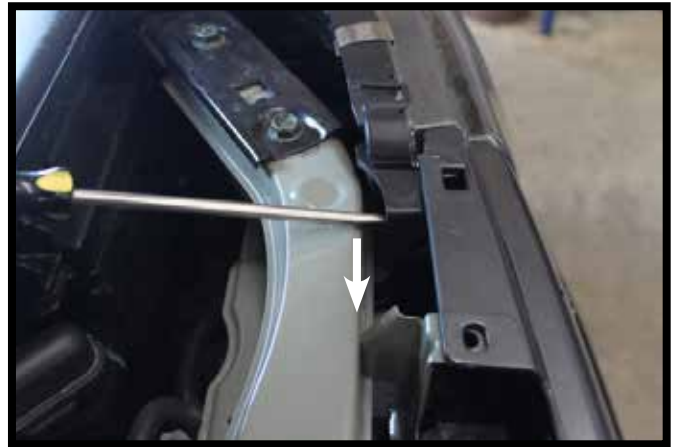
Important:

Use only genuine factory replacement parts on your baseplate. Do **NOT** substitute homemade or non-typical parts. If a bolt is lost or in need of replacement, for your safety and the preservation of your baseplate, be sure to use a replacement bolt of the same grade (In most cases it will be Grade 5, please reference the parts list above). Replacement parts may be ordered through your nearest Blue Ox® Dealer or Distributor. Failing to follow and/or altering these installation instructions in either installation or required equipment will void the manufacturer's warranty. Towing behind a non-motorized vehicle will void the warranty.

BX1844
2009-14 Nissan Cube
Installation Instructions



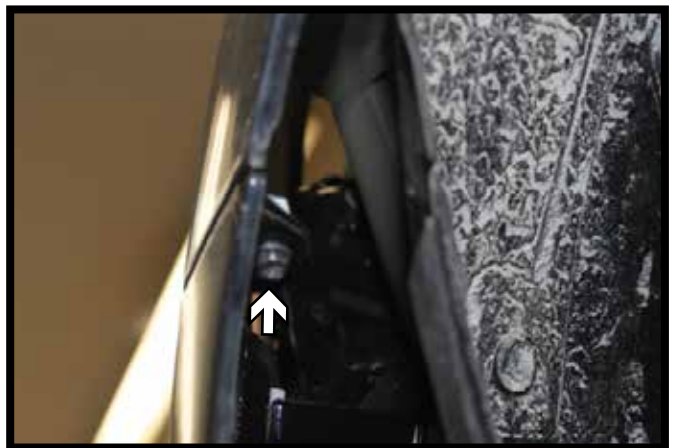
1. Remove the two (2) push pins from the top edge of the fascia.



2. Using a flat screwdriver, release the clip towards the driver side.



3. Pull back on the top of the fascia and remove the two (2) push pins underneath.



4. Pull back the wheel well liner. Then using a 10MM socket, remove the screw from the fascia/fender joint.

BX1844
2009-14 Nissan Cube
Installation Instructions



5. Using a 10MM socket, remove the two (2) screws from underside of the fascia (white). Then remove the outer push pin (gray). Do this on both sides of the vehicle.

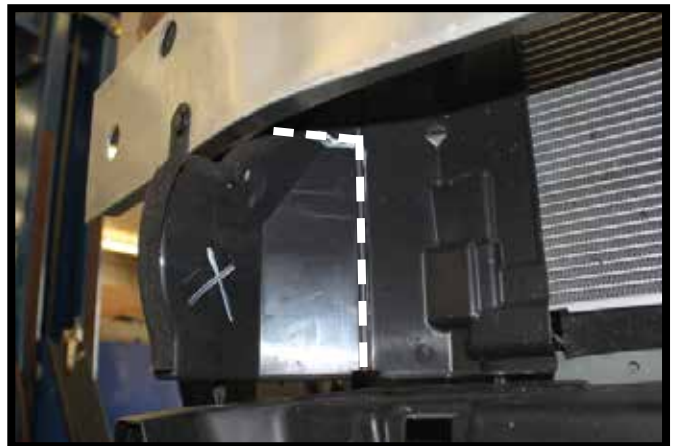
Note: On some models there will be three (3) screws in lieu of two (2) screws and a push pin.



6. Remove the six (6) push pins from the underside of the fascia towards the center.



7. Using a 10MM socket, remove the two (2) screws from the washer reservoir. Disconnect/Plug all lines, separate the reservoir from the filler tube and set aside.



8. Trim the plastic shrouding just below the bumper back to the seam for baseplate clearance. Do this on both sides of the vehicle.

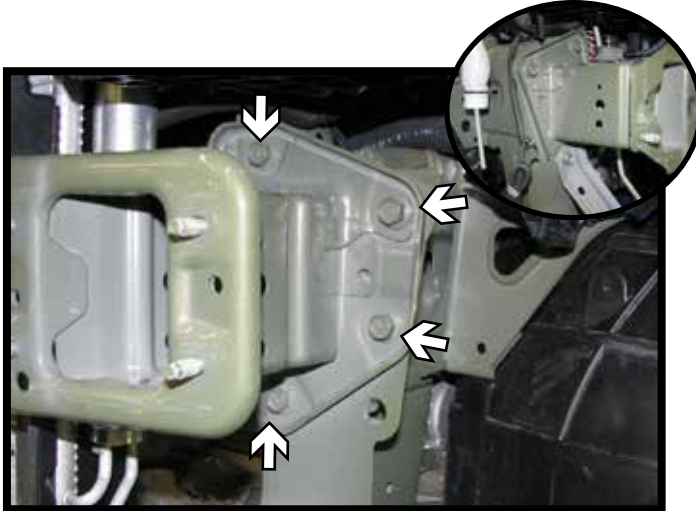
BX1844
2009-14 Nissan Cube
Installation Instructions



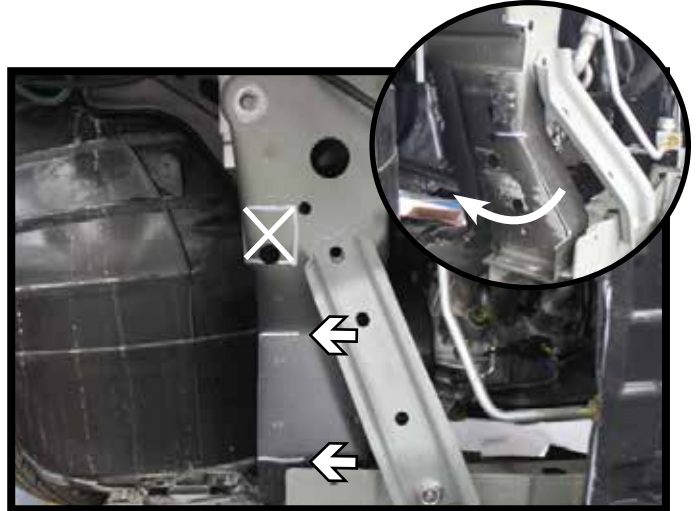
9. On the driver side, using a 14MM socket, remove the four (4) bolts from the bumper reinforcement bracket. The bracket will not be reinstalled.



10. Remove the styrofoam filler from the bumper. Then using a 12MM socket, remove the six (6) screws from the bumper. There are two (2) on the passenger side and four (4) on the driver side. Set the bumper aside.

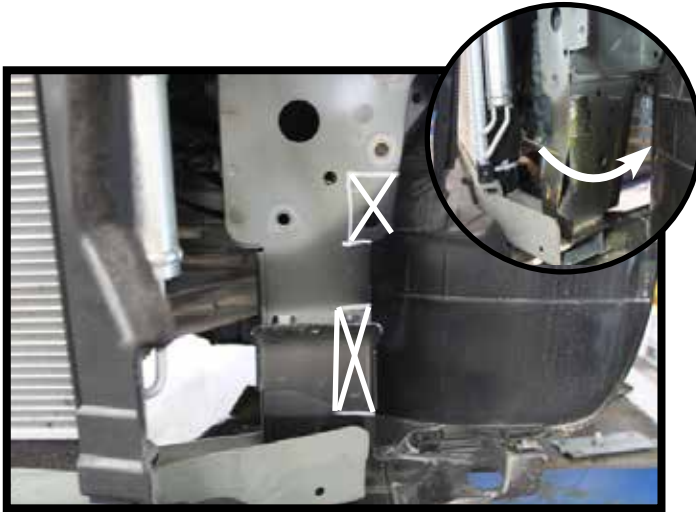


11. On the driver side, using a 14MM socket, remove the four (4) bolts from the frame extension and set aside. Repeat on the passenger side, removing the three (3) bolts from the frame extension.



12. On the passenger side, using a reciprocating saw, trim out the upper portion of the frame face and cut two (2) slits back to the frame side. Bend the face back around flush to the frame side.

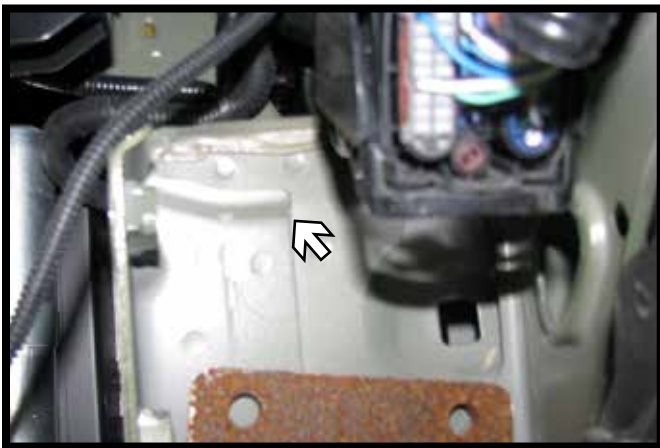
BX1844
2009-14 Nissan Cube
Installation Instructions



13. Trim the driver side similar to the passenger side except the lower portion with the factory nut will need to be removed for baseplate clearance.



14. Temporarily reinstall the frame extensions and mark the backsides around the frame cuts. Remove the extensions and trim these areas with a reciprocating saw.

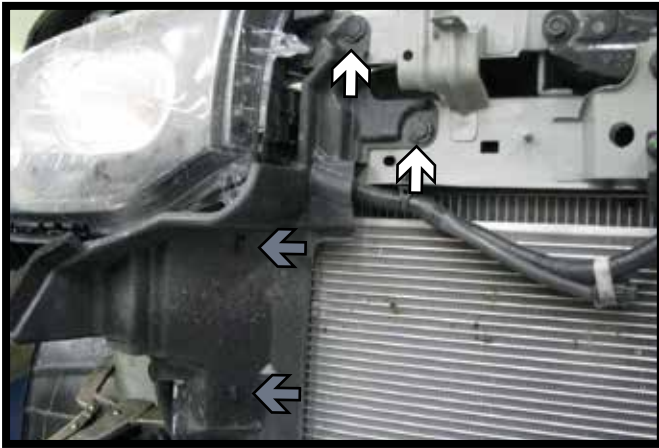


15. On the driver side, flatten the ridge flush with the frame side.



16. On the driver side, using a 10MM socket, remove the screw from the electrical bracket. Slide the bracket up the frame and reinstall in a higher position.

BX1844
2009-14 Nissan Cube
Installation Instructions



17. On the passenger side, remove the two (2) push pins from the sheilding (white). Then squeeze the two (2) clips to release the sheilding from the vehicle giving access for nutplate insertion into the frame.



18. Position the baseplate onto the vehicle, aligning the top front edge of the baseplate with the frame rail, while pulling the baseplate as forward as possible. Level and sccurely clamp the baseplate to the frame.

Using a 13/32" drill bit, drill the top front hole thru the frame. Install a 3/8"-16 x 1-1/4" bolt with lock washer and lock nut on the inside of the frame. Do this on both sides of the vehicle. Fully tighten all hardware.

19. Continue drilling the remaining baseplate holes thru the frame. Note: the bottom rear hole is used on the driver side and the bottom middle hole is used on the passenger side.

Install a 3/8"-16 x 1-1/4" bolt with lock washer and lock nut plate on the inside of the frame in the top back hole (black).

Install a 3/8"-16 x 2" bolt with lock washer and lock nut plate on the inside of the frame in the bottom back hole (gray),using the provided spacer in between the frame and baseplate.



Install the appropriate 3/8" bolt with lock washer into the bottom front hole and use 3/8" nut plates on the inside of the frame. Note the driver side may require the use od washers in between the frame and baseplate.

Do this on both sides of the vehicle. Fully tighten all hardware.

BX1844
2009-14 Nissan Cube
Installation Instructions



20. Trim the off the attachment plate from the driver side of the bumper for baseplate clearance.



21. Reinstall the plastic shielding, frame extensions, bumper, styrofoam filler and washer reservoir.



22. Attach the permanent baseplate safety cables to the provided convenience link on the baseplate. The photo above shows the recommended installation of the cables to frame of vehicle. Additional options may interfere with suggested mounting; in this case, secure the cables to a solid piece of the frame as described in the instructions included with the permanent baseplate safety cables. Be sure the safety cables do not rub against any hoses or moving parts. Do this on **BOTH** sides of the vehicle.



23. **Optional Breakaway:** Fasten the bracket to the underside of the bumper with a #10 screw at the desired location. Install the breakaway to the bracket with the supplied 1/4" bolt and lock nut.

BX1844
2009-14 Nissan Cube
Installation Instructions



24. Reinstall the fascia.

CUSTOMER SERVICE COMMITMENT

Blue Ox® is committed to providing you with exceptional customer care throughout your lifetime with our products. Our team is here to assist you with any questions you may have regarding the performance of your product. Simply call (402) 385-3051 and you can speak with our customer care team.

Additionally, please visit our website to see which rallies our Destination America team will be attending. For a nominal fee, our service technician will service your towing system to ensure it's in proper working condition. Also, as a commitment to our customers, should you visit our factory, you can stay at our full service Blue Ox® campground at no charge along with enjoying a factory tour.

Again, thank you for being our customer and for the confidence you have shown in the performance of our products. It is because of customers like you we enjoy the success we have today.

© 2014 Blue Ox
One Mill Road, Industrial Park
Pender, Nebraska 68047
Phone: (402) 385-3051
Fax: (402) 385-3360
www.blueox.com

General Information

1. Ensure that your product(s) are registered online at www.blueox.com. It is crucial to register your product(s) so that you may be alerted of product offerings, updates, upgrades, maintenance and safety bulletins, and/or recalls.
2. **It is the owner's responsibility to inspect all towing equipment for cracked welds, missing or worn parts and loose bolts before each towing trip.** Be sure to use Loctite® Red on all bolts and tighten to the recommended specifications.
3. **It is the owner's responsibility to hook up all towing equipment per manufacturer's instructions/recommendations.**
4. Remove the attachment tabs when not in use (if applicable).

Notice To Baseplate Installer

1. It is YOUR responsibility to watch for:

- Oil cooler and air conditioner lines
- Electrical wires and hoses
- Missing parts or attaching points on the frame

** If the baseplate is improperly installed and is against a wire or hose, it could cause fluid leaks or electrical shorts some time after the actual baseplate installation.

Permanent Baseplate Safety Cable Installation

Permanent baseplate safety cables are strongly recommended when towing a vehicle with a tow bar. The principle function of the permanent baseplate safety cables is to prevent the towed vehicle from breaking loose in the event the connection between the frame of the towed vehicle and the baseplate fails or becomes disconnected. The cables must be connected from the baseplate to the frame rail or cross member of the vehicle's frame. The illustrations below show the possible arrangements recommended by Blue Ox®. Each permanent baseplate safety cable must have an adequate weight rating for the towing system. The weight rating of the two (2) cables together will not qualify.

Do not mount the permanent baseplate safety cables against wires, hoses or brake lines.

These permanent baseplate safety cables should remain installed as long as the baseplate is installed on the vehicle. Permanent baseplate safety cables are to be used in conjunction with, and NOT a replacement for legally required safety cables attaching the towed vehicle to the towing vehicle.

OPTION #1

Permanent Baseplate Safety Cables to Cross Member or Frame of Towed Vehicle.



OPTION #2

Permanent Baseplate Safety Cables to Cross Member or Frame of Towed Vehicle.

