



## **BX1818 Installation Instructions 1991-98 1/2 Nissan Sentra**

Installation of this baseplate requires removing the vehicle's tie down brackets.

1. Read the General Instruction Sheet included with this base plate.
2. The base plate attaches to the holes used by the tie down brackets using eight bolts, all of which are supplied with the base plate.
3. Behind the bumper and on the outside of the frame on each side of the car is a tie down bracket. It is a stamped metal bracket with an oblong hole which hangs down below the frame. These brackets are bolted to the car with four bolts on each side.
4. To remove the tie down brackets, you must partially remove a plastic cover which is mounted to the tie down bracket. There is a plastic rivet through the plastic into the bracket. To remove the rivet, turn the head a quarter turn with a phillips screwdriver. The head will pop out of the rivet and the rivet can then be pried out of the bracket. The plastic is also attached with a bolt at the bottom front of the tire well. After this bolt is removed the plastic cover can be pushed out of the way to gain access to the tie down bracket bolts.
5. Remove the four bolts which hold the tie down bracket to the car. A bolt which holds the belly pan on mounts through the tie down bracket. Remove this bolt to remove the bracket, then replace it. Set the bracket and bolts aside, they will not be used for the base plate installation.
6. Repeat Steps 4 & 5 for the opposite side of the car.
7. With help, hold the base plate up under the car. The arms should slide along side the frame where the tie down brackets were. The main angle should sit just in front of the lower part of the bumper. Start the 10mm x 50mm bolts and lock washers into the bottom of the car first. A spacer will need to be placed between the mount strap on the base plate arm and the car frame. Apply Locktite and start the 10mm x 35mm bolts and lock washers into the frame through the base plate arms.
8. Remove the lower bolts and apply Locktite, then tighten all the bolts.
9. The dimensional variations between otherwise identical cars can be considerable. While the location and size of the holes in the base plate were designed to allow for easy installation, it may be necessary to file a hole slightly to allow a bolt to clear.
10. Replace the bolts that hold the plastic cover to the wheel well. A hole has been provided in the base plate to attach the plastic rivet removed in Step 4.
11. Install the tow bar and safety cables according to the instructions included in their packages.
12. Do not substitute other devices if the tow bar pin and clip are lost.
13. **DEALER OR INSTALLER:** BE CERTAIN THE USER RECEIVES THE INSTRUCTION SHEET.

# **Automatic**

## Tools Required

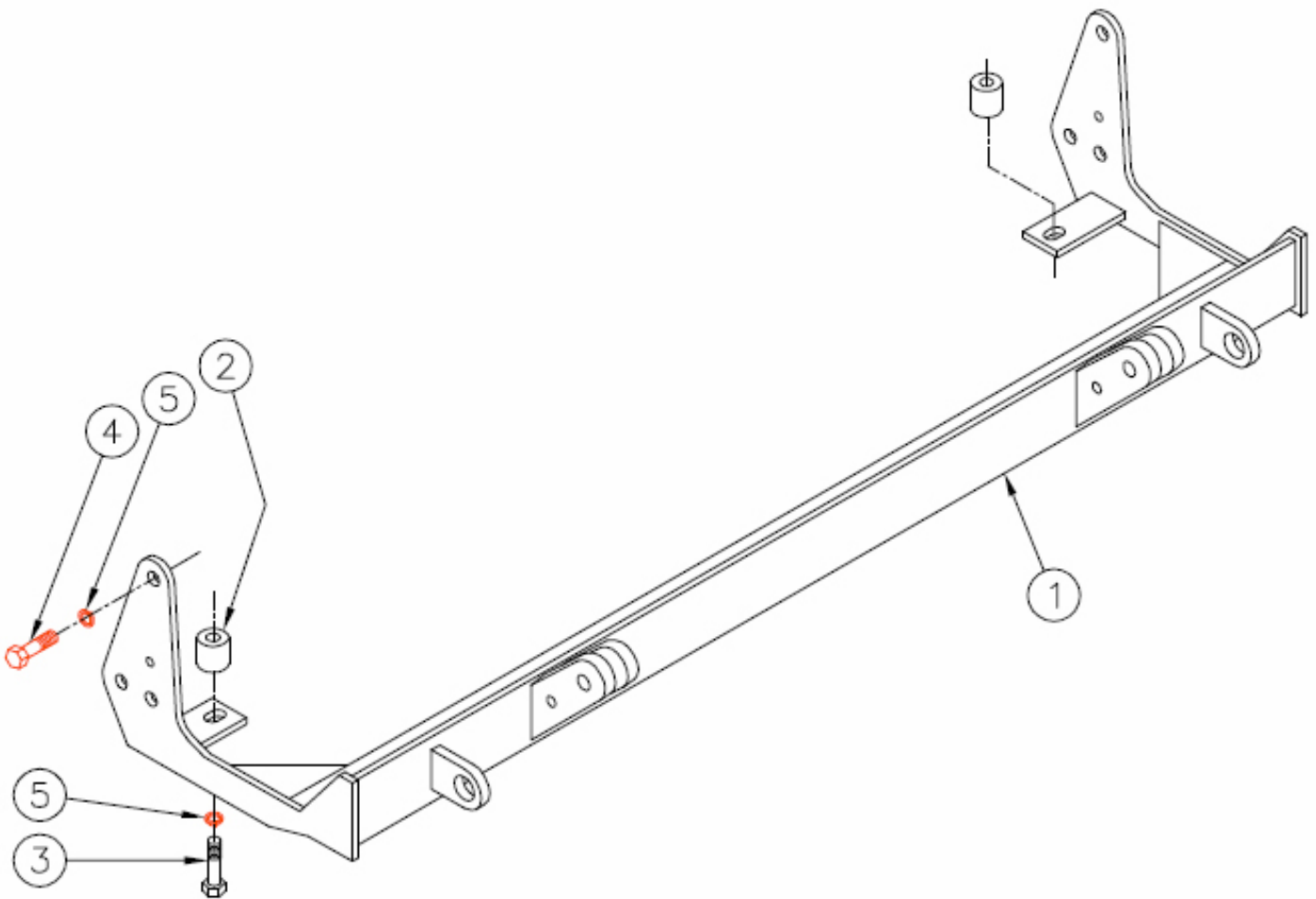
10mm socket  
Phillips screwdriver

14mm socket  
Locktite Blue

17mm socket

## Parts List

Ref No.	Qty.	Part No.	Description
1	1	61-3776	Weldment, Baseplate, BX1818
2	2	104-0383	Spacer, 1" x 0.4375 x 1"
3	2	201-0472	10mm-1.25 x 50mm Hex Head Bolt, Grade 8.8
4	6	201-0423	10mm-1.25 x 35mm Hex Head Bolt, Grade 8.8
5	8	203-0104	10mm Lock Washer



# General Information

1. Ensure that your product(s) are registered online at [www.blueox.com](http://www.blueox.com). It is crucial to register your product(s) so that you may be alerted of product offerings, updates, upgrades, maintenance and safety bulletins, and/or recalls.
2. **It is the owner's responsibility to inspect all towing equipment for cracked welds, missing or worn parts and loose bolts before each towing trip.** Be sure to use Loctite® Red on all bolts and tighten to the recommended specifications.
3. **It is the owner's responsibility to hook up all towing equipment per manufacturer's instructions/recommendations.**
4. Remove the attachment tabs when not in use (if applicable).

## Notice To Baseplate Installer

### 1. It is YOUR responsibility to watch for:

- Oil cooler and air conditioner lines
- Electrical wires and hoses
- Missing parts or attaching points on the frame

\*\* If the baseplate is improperly installed and is against a wire or hose, it could cause fluid leaks or electrical shorts some time after the actual baseplate installation.

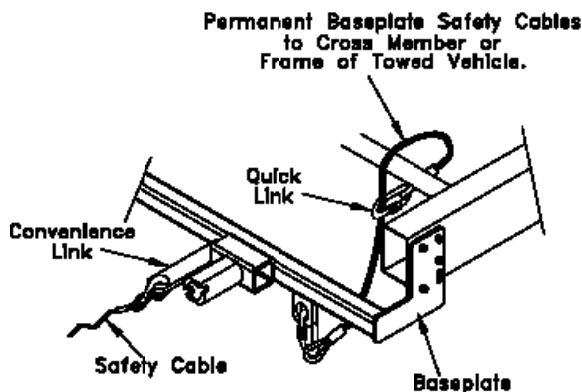
## Permanent Baseplate Safety Cable Installation

Permanent baseplate safety cables are strongly recommended when towing a vehicle with a tow bar. The principle function of the permanent baseplate safety cables is to prevent the towed vehicle from breaking loose in the event the connection between the frame of the towed vehicle and the baseplate fails or becomes disconnected. The cables must be connected from the baseplate to the frame rail or cross member of the vehicle's frame. The illustrations below show the possible arrangements recommended by Blue Ox®. Each permanent baseplate safety cable must have an adequate weight rating for the towing system. The weight rating of the two (2) cables together will not qualify.

***Do not mount the permanent baseplate safety cables against wires, hoses or brake lines.***

These permanent baseplate safety cables should remain installed as long as the baseplate is installed on the vehicle. Permanent baseplate safety cables are to be used in conjunction with, and NOT a replacement for legally required safety cables attaching the towed vehicle to the towing vehicle.

### OPTION #1



### OPTION #2

