



Baseplate Installation Instructions

BX1011 2002 Acura RSX Installation Instructions

Serial Number

Please read BOTH these Installation Instructions and the General Instructions before attempting to install or operate this equipment.

- Blue Ox® towing products and accessories are intended to be installed by Blue Ox® Dealers who are familiar with our products and have the equipment necessary and knowledge to do "fit work". When necessary Blue Ox® Dealers can be found at www.blueox.us or by contacting our Customer Care Department at (402) 385-3051 or toll free (888) 425-5382.
- Many Blue Ox® Baseplates are designed to use existing holes and hardware to mount the baseplate to the towed vehicle. Even though bolts are there, do not assume they are adequate for baseplate mounting. Always use hardware supplied in the hardware kit and existing hardware specified in the Baseplate Installation Instructions.

Attachment Tab Height: 12"

Attachment Tab Width: 24"

Bolt Torque Specifications

Torque in Foot-Pounds per Metric Bolts

Bolt Size	Grade 8.8	Grade 10.9
6MM	6	8
8MM	16	22
10MM	31	40
12MM	54	70
14MM	89	117

Confirm the towability and pre-towing procedures for your vehicle with the owner's manual or contact the vehicle's manufacturer for specific towing procedures. You can also contact REMCO for additional information at 1(800)228-2481.



Bolt Torque Specifications

Torque in Foot-Pounds per Inch Bolts

Bolt Size	Grade 5	Grade 8
1/4"	10	14
5/16"	19	29
3/8"	33	47
7/16"	54	78
1/2"	78	119
5/8"	154	230

! WARNING

Failure to read and follow these instructions could result in separation of the towed vehicle from the tow bar, causing property damage, loss of towed vehicle, personal injury or death.

BX1011

2002 Acura RSX

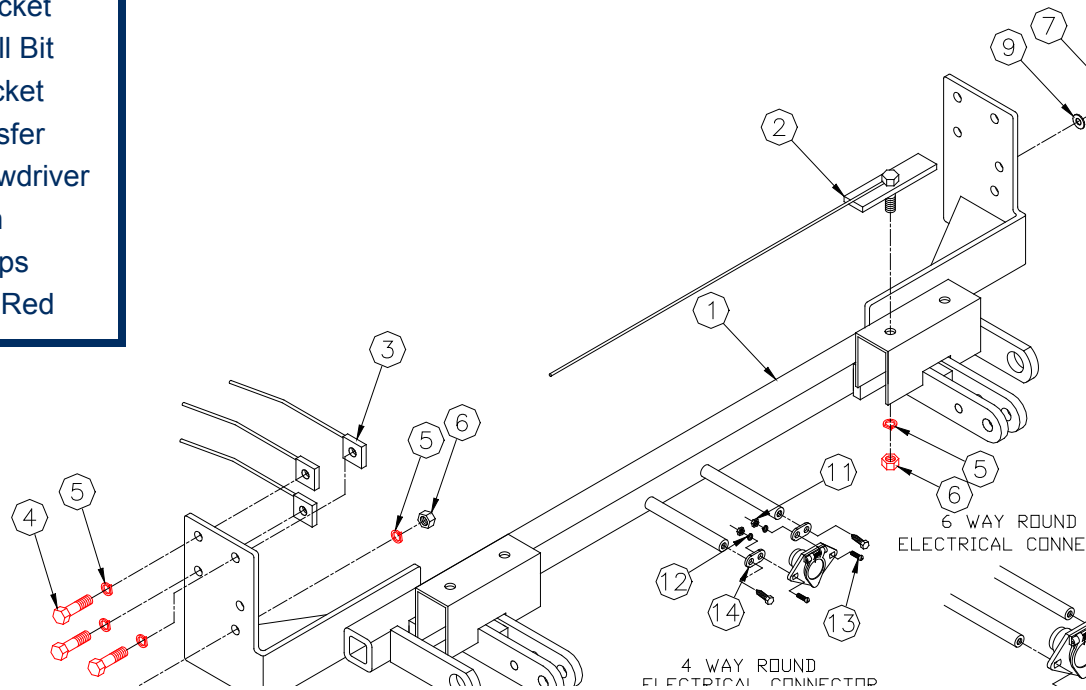
Installation Instructions

Parts List

Ref. No.	Qty.	Part #	Description
1	1	61-5690	Weldment, Baseplate, BX1011
2	4	61-5676	Weldment, 3/8-16 x 1 1/2" Bolt Plate, w/ Wire
3	6	61-5208	Weldment, 3/8-16, Nut Plate, with Wire
4	8	201-0440	3/8-16 x 1 1/2" Hex Bolt, Grade 5, ZP
5	12	203-0010	3/8" Lock Washer, ZP
6	6	202-0003	3/8-16 Hex Nut, ZP
7	1	201-0655	6MM-1.0 x 30MM Hex Bolt, Grade 5, ZP
8	1	203-0008	1/4" Lock Washer, ZP
9	1	203-0001	1/4" Flat Washer, ZP
10	2	201-0979	#12-14 x 1" Self Drilling Screw, ZP
11	2	202-0047	#10-32 Hex Nut
12	2	203-0054	#10 Lock Washer
13	2	201-0192	#10-32 x 1/2" Slot, Rd. Hd. Screw
14	2	101-5822	Adapter, 4 Way Connector

Tools Required

8MM Socket
 10MM Socket
 12MM Socket
 13/32" Drill Bit
 9/16" Socket
 3/8" Transfer
 Phillips Screwdriver
 Punch
 Vise Grips
 LOCTITE Red



Important:

Use only genuine factory replacement parts on your baseplate. Do NOT substitute homemade or non-typical parts. If a bolt is lost or in need of replacement, for your safety and the preservation of your baseplate, be sure to use a replacement bolt of the same grade (In most cases it will be Grade 5, please reference the parts list above). Replacement parts may be ordered through your nearest Blue Ox® Dealer or Distributor, or call our 24/7 Customer Care Team at (402)385-3051.

BX1011

2002 Acura RSX

Installation Instructions

Standard Tab Spacing Guidelines:

Due to the design of the removable tabs, the RangeFinderII tow bar can not be used. Adapters, except the BX8833 and BX88151, can not be used with this baseplate.

Instructions:

The front fascia, metal bumper and headlight assembly is removed and reinstalled for the baseplate installation. Drilling is required.

The dimensional variations between otherwise identical vehicles can be considerable. While the baseplate was designed for easy installation, it may be necessary to tailor the baseplate slightly to compensate for auto manufacturer's tolerances. These minor adjustments may include filing a hole slightly, bending electrical rods, and/ or bending end plates.

The BX8869 Bulb and Socket Wiring Kit is recommended for this vehicle.

Installation Instructions



1. Remove six pushpins from the top side of the fascia.



2. Just forward of the front tire on the outside corner of the fascia, remove one metric bolt with the 10MM socket. Do this to both sides of the vehicle.

BX1011
2002 Acura RSX
Installation Instructions



3. Remove four push pins from the bottom side of the fascia.



4. Using the Phillips screw driver, remove four screws from the bottom side of the fascia, just forward of front tire. Pull the fascia forward. Set it and the screws aside to be reinstalled later.



5. Using the 10MM Socket, remove the two metric bolts below headlight assembly and one bolt on lower outside corner. Pull assembly forward, unplug electrical connection. Set aside to be reinstalled later. Do this on both sides of the vehicle.



6. Remove the three metric bolts from the windshield washer reservoir with the 10MM socket, unplug. Set aside to be reinstalled later.

BX1011
2002 Acura RSX
Installation Instructions



7. Hold the baseplate up to the bottom of the metal bumper, align with forward reservoir bolt and clamp with vise grips. Using the 3/8" transfer punch, mark all drilled holes. Remove the six metric bolts from the metal bumper with the 12MM socket. Set aside to be reinstalled later.

BE SURE TO USE LOCTITE® RED ON ALL BOLTS BEFORE TIGHTENING. TIGHTEN ALL BOLTS ACCORDING TO THE TORQUE CHART ON THE FRONT PAGE OF THESE INSTRUCTIONS OR ON PAGE 3 OF THE BASEPLATE TOWING GENERAL INSTRUCTIONS.



8. Using the baseplate as a template, drill four holes into each frame end with the 13/32" drill bit. Be sure NOT to drill out the forward reservoir hole. Check the hole location on page 2 for the 6MM-1.0 x 30MM hex bolt. Also drill the four marked holes on the bottom side of the metal bumper with the 13/32" drill bit. Insert the 3/8-16 nut plates into the frame ends to align with the 3/8-16 x 1 1/2" hex bolts and the 3/8" lock washers. Do NOT tighten the bolts. Be sure to use LOCTITE Red on ALL bolts before tightening.



9. Reinstall metal bumper and align the nut plates with the drilled holes from the metal bumper ends. Tighten ALL bolts.



10. Replace the electrical connections, bumper. Hold fascia up to its original position, trim outside are and install the fascia. Baseplate installation is now complete.

BX1011
2002 Acura RSX
Installation Instructions

CUSTOMER SERVICE COMMITMENT

Blue Ox is committed to providing you with exceptional customer care throughout your lifetime with our products. Our team is here to assist you with any questions you may have regarding the performance of your product. Simply call 1-800-228-9289 and you can speak with our customer care team.

Additionally, please visit our website to see which rallies our Destination America team will be attending. For a nominal fee, our service technician will service your towing system to ensure it's in proper working condition. Also as a commitment to our customers, should you visit our factory you can stay at our full service Blue Ox campground at no charge along with enjoying a factory tour.

Again thank you for being our customer and for the confidence you have shown in the performance of our products. It is because of customers like you we enjoy the success we have today.

Install the tow bar and safety cables according to the instructions included in their packages.

Do not substitute other devices if the tow bar pin and clip are lost.

DEALER OR INSTALLER: BE CERTAIN THE USER RECEIVES THE INSTRUCTION SHEETS.



© 2005 Blue Ox
One Mill Road, Industrial Park
Pender, Nebraska 68047
Phone: (402) 385-3051
Toll Free: (888) 425-5382
Fax: (402) 385-3360
www.blueox.us

General Information

1. Ensure that your product(s) are registered online at www.blueox.com. It is crucial to register your product(s) so that you may be alerted of product offerings, updates, upgrades, maintenance and safety bulletins, and/or recalls.
2. **It is the owner's responsibility to inspect all towing equipment for cracked welds, missing or worn parts and loose bolts before each towing trip.** Be sure to use Loctite® Red on all bolts and tighten to the recommended specifications.
3. **It is the owner's responsibility to hook up all towing equipment per manufacturer's instructions/recommendations.**
4. Remove the attachment tabs when not in use (if applicable).

Notice To Baseplate Installer

1. It is YOUR responsibility to watch for:

- Oil cooler and air conditioner lines
- Electrical wires and hoses
- Missing parts or attaching points on the frame

** If the baseplate is improperly installed and is against a wire or hose, it could cause fluid leaks or electrical shorts some time after the actual baseplate installation.

Permanent Baseplate Safety Cable Installation

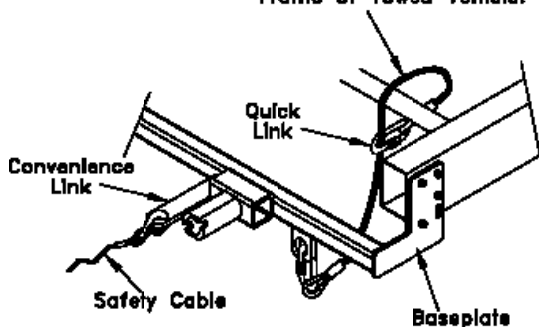
Permanent baseplate safety cables are strongly recommended when towing a vehicle with a tow bar. The principle function of the permanent baseplate safety cables is to prevent the towed vehicle from breaking loose in the event the connection between the frame of the towed vehicle and the baseplate fails or becomes disconnected. The cables must be connected from the baseplate to the frame rail or cross member of the vehicle's frame. The illustrations below show the possible arrangements recommended by Blue Ox®. Each permanent baseplate safety cable must have an adequate weight rating for the towing system. The weight rating of the two (2) cables together will not qualify.

Do not mount the permanent baseplate safety cables against wires, hoses or brake lines.

These permanent baseplate safety cables should remain installed as long as the baseplate is installed on the vehicle. Permanent baseplate safety cables are to be used in conjunction with, and NOT a replacement for legally required safety cables attaching the towed vehicle to the towing vehicle.

OPTION #1

Permanent Baseplate Safety Cables to Cross Member or Frame of Towed Vehicle.



OPTION #2

Permanent Baseplate Safety Cables to Cross Member or Frame of Towed Vehicle.

